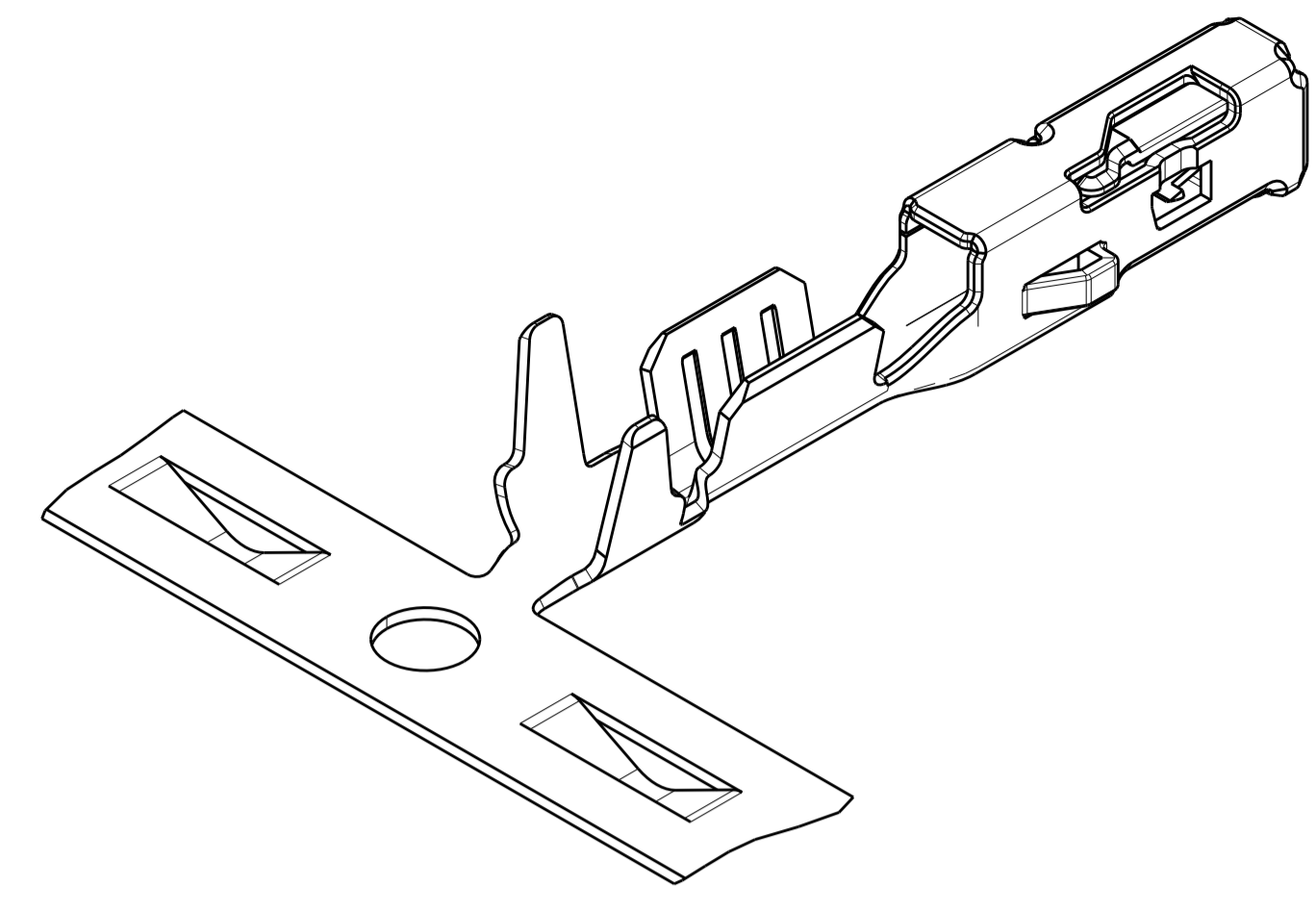
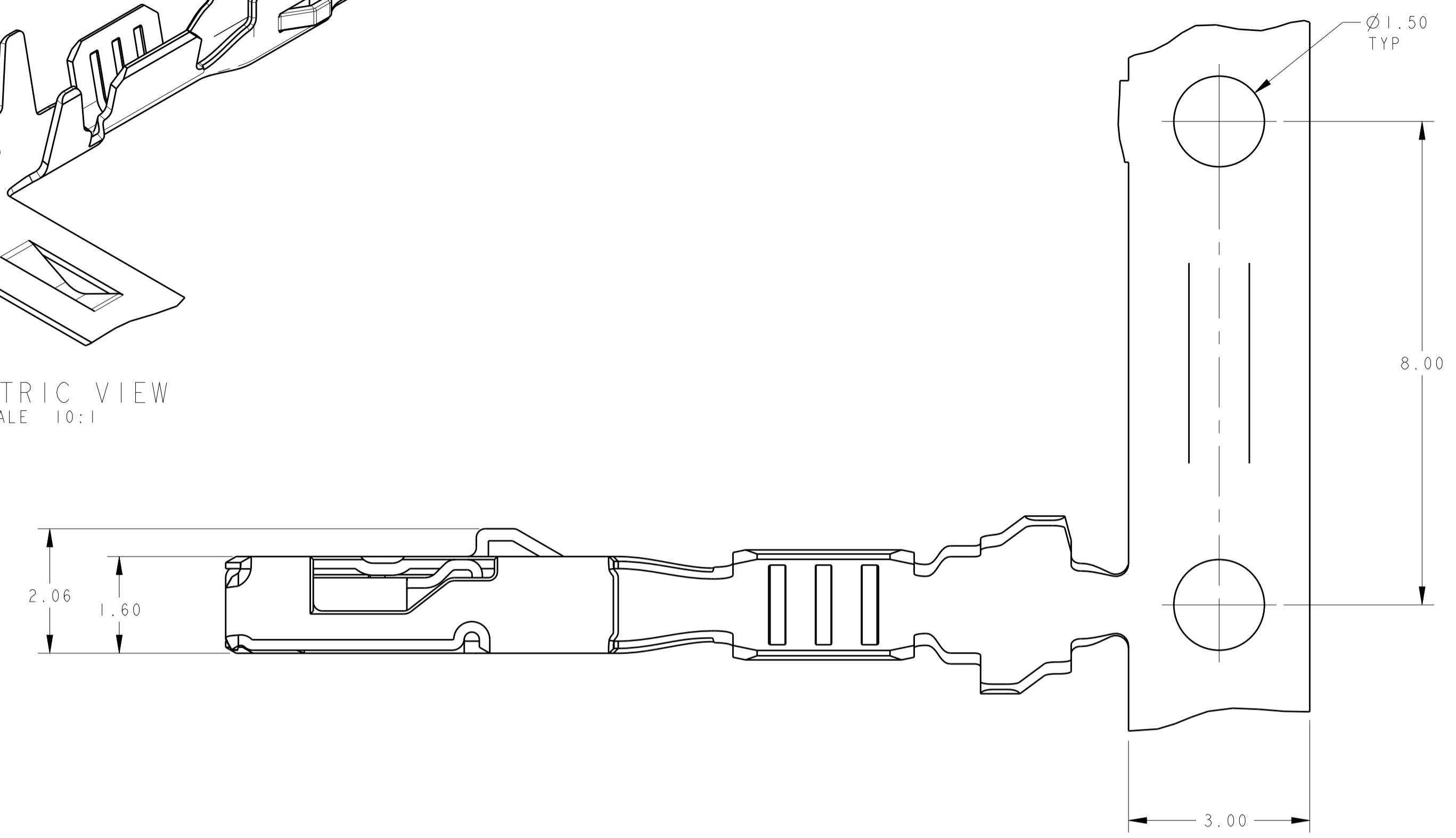


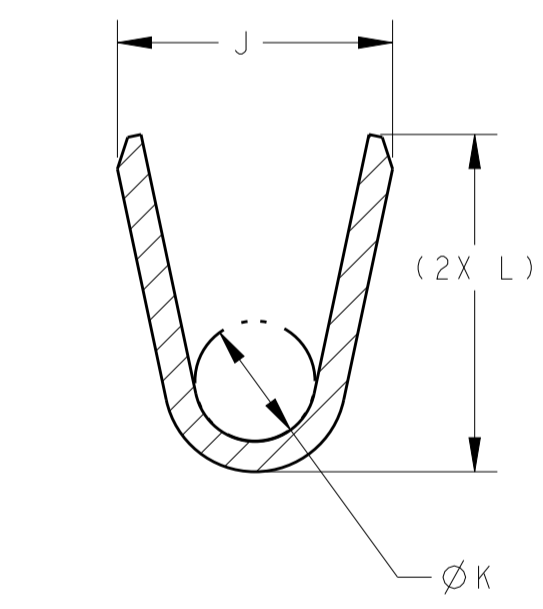
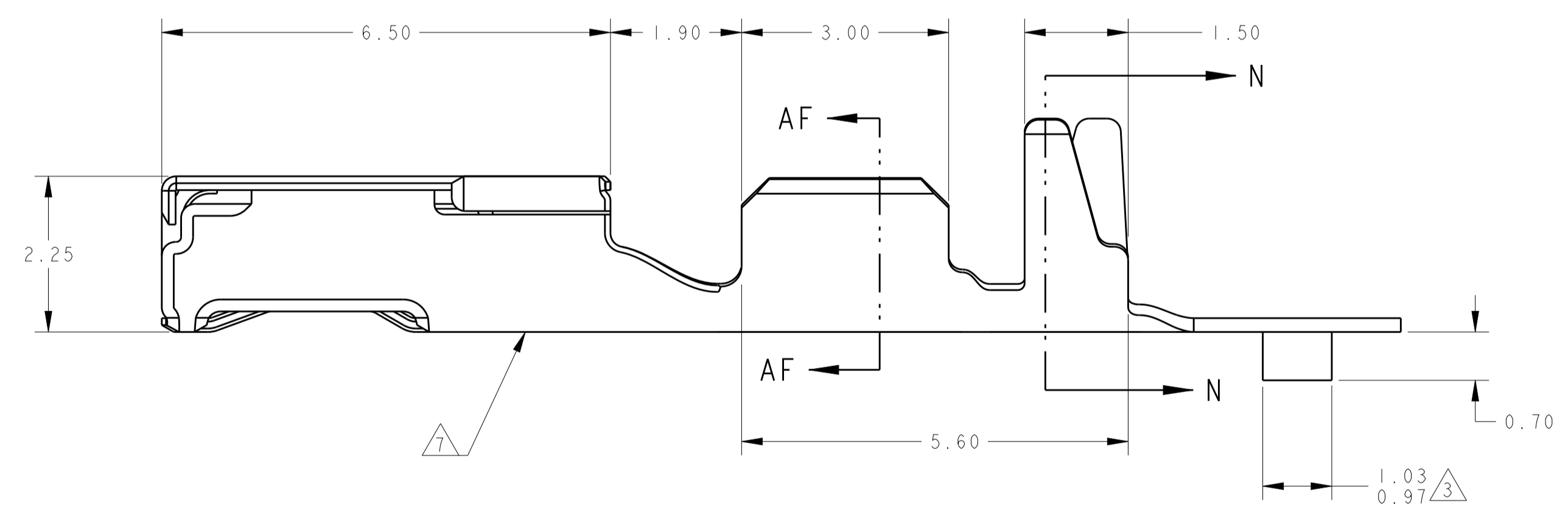
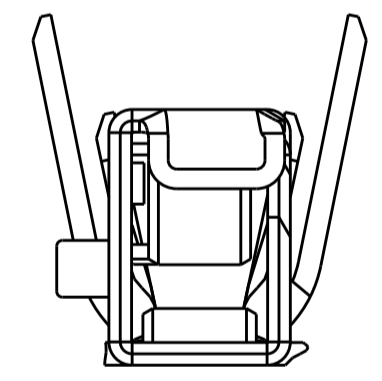
REVISIONS				
P.	LTN.	DESCRIPTION	DATE	APVD.
C		REVISED PER ECR-16-005516	25APR2016	DLD CJS



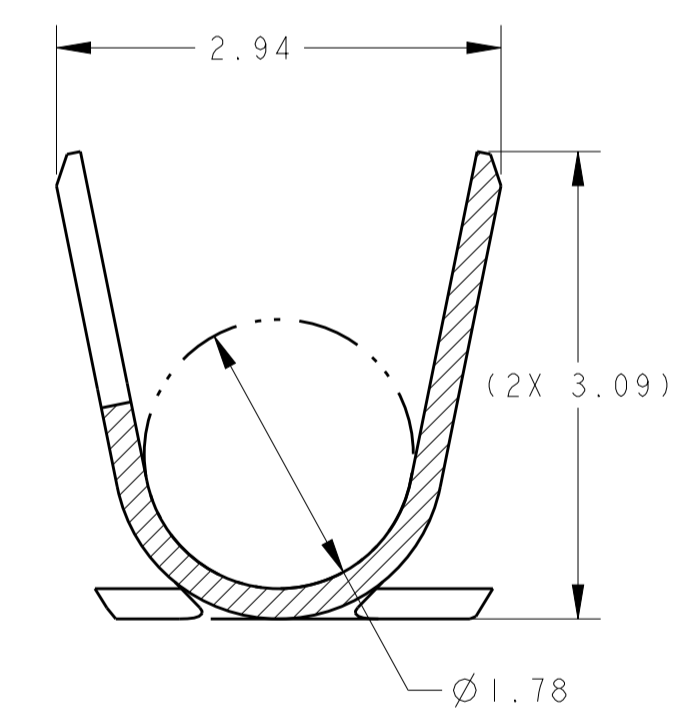
ISOMETRIC VIEW
SCALE 10:1



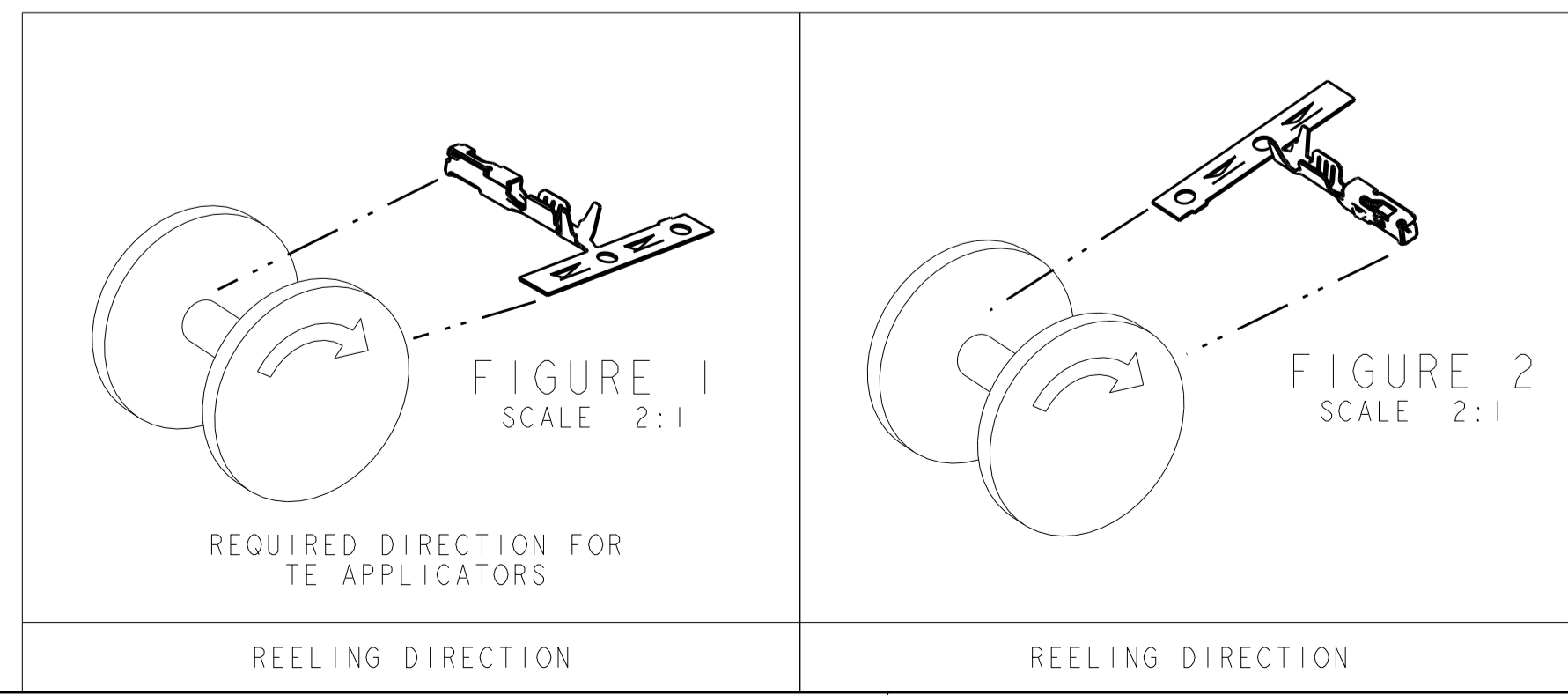
- 1 MATERIAL: 0.2mm THICK CuNiSi ALLOY
- 2 FINISH: PRE-PLATED WITH 1.00µm MIN BRIGHT TIN.
- 3 MATERIAL ID FEATURE IN "DOWN" POSITION.
- 4. THIS PRODUCT WAS VALIDATED TO GMW3191, DEC 2007, VI, T3, S2.
- 5. THIS PRODUCT IS DESIGNED TO BE COMPATIBLE WITH SEALED APPLICATIONS.
- 6. NORMAL FORCE 350 GRAMS REFERENCE.
- 7 STAMPED WITH LETTER "H" TO INDICATE HIGH FORCE ON THIS GENERAL SURFACE.
- 8. TERMINAL HAS NYE LUBRICANTS NYETACT 568J-50-UV PERFORMANCE LUBE/GREASE APPLIED. THIS IS A WHITISH COLORED LUBE. AMOUNT AND VISIBILITY MAY VARY.



SECTION AF-AF
SCALE 20:1



SECTION N-N
SCALE 20:1



INSULATION DIAMETER	L	K	J	REELING DIRECTION	FINISH	mm ²	AWG	PART NUMBER
2.06 MAX	2.43	1.00	1.96	FIGURE 2	2	0.75	18	2098165-4
1.50-1.85	2.23	0.80	1.82	FIGURE 2	2	0.35-0.50	20-22	2098165-3
2.06 MAX	2.43	1.00	1.96	FIGURE 1	2	0.75	18	2098165-2
1.50-1.85	2.23	0.80	1.82	FIGURE 1	2	0.35-0.50	20-22	2098165-1

THIS DRAWING IS A CONTROLLED DOCUMENT.		OWN: F. KINSEY 16JAN2009	TE Connectivity CONTACT, FEMALE, 0.64mm CuNiSi, SIDE ORIENTATION Sn PLATE, HIGH FORCE
DIMENSIONS: mm		CHK: F. KINSEY 16JAN2009	
TOLERANCES UNLESS OTHERWISE SPECIFIED:		APVD: C. SCHMID 07MAY2009	NAME: A100779C=2098165
0 PLC	±	PRODUCT SPEC	SIZE: 114-13183
1 PLC	±0.15	APPLICATION SPEC	WEIGHT: -
2 PLC	±	REELING DIRECTION	CUSTOMER DRAWING
3 PLC	±	FINISH	SCALE 15:1
4 PLC	±	REELING DIRECTION	SHEET 1 OF 1
ANGLES	±	REELING DIRECTION	REV C