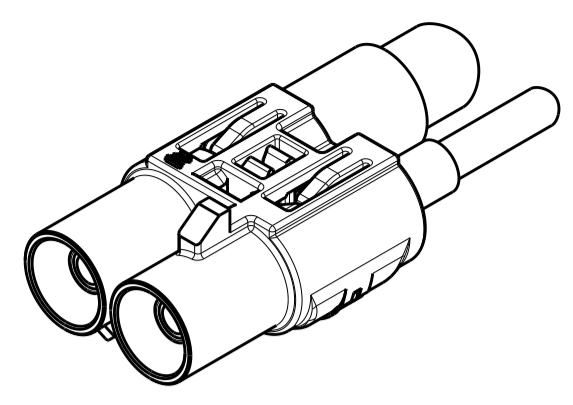
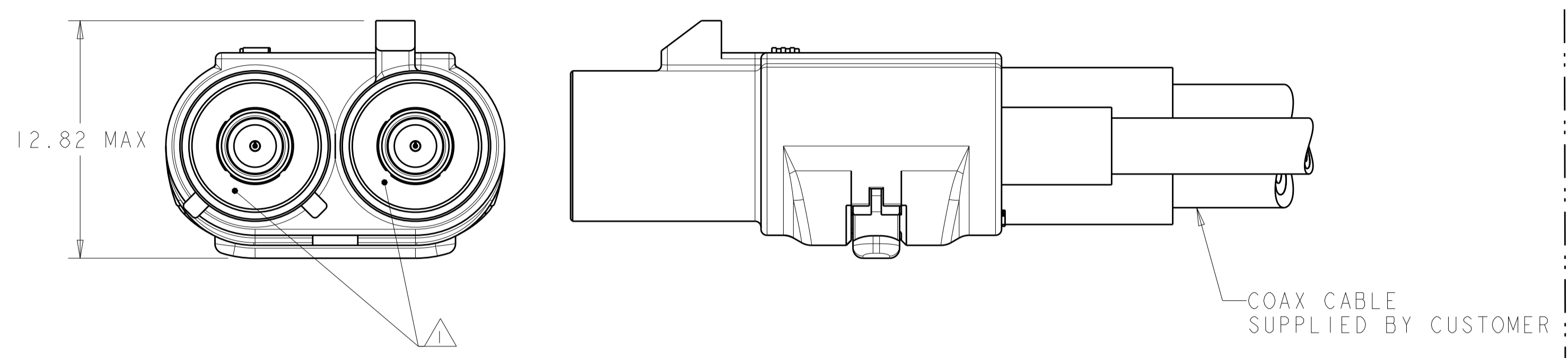


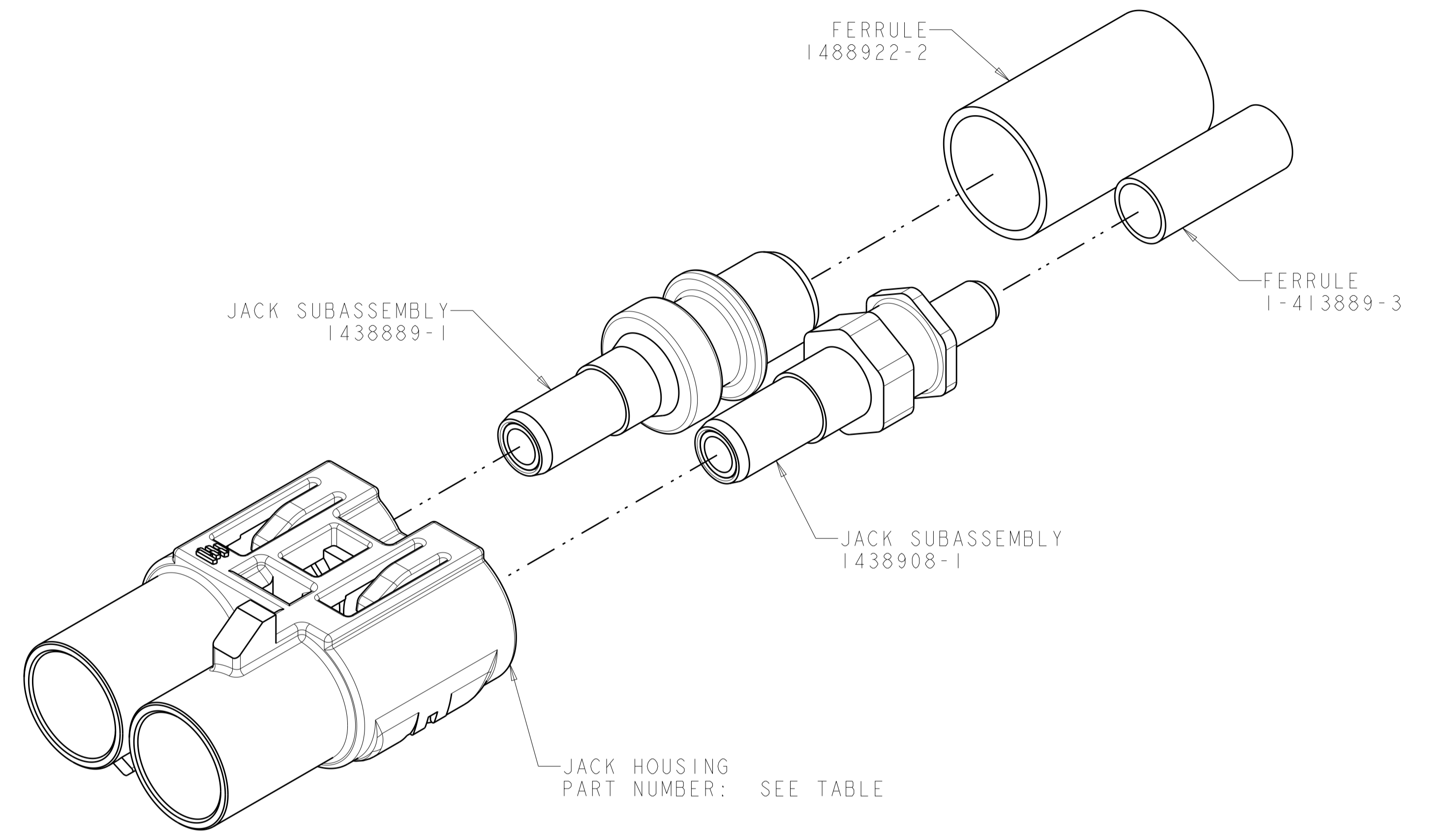
LOC	DIST	REVISIONS			
P	LTN	DESCRIPTION	DATE	DWN	APVD
A		ECR-09-013825 RELEASED	22JUN2009	KP	LV
A1		REVISED PER ECO-19-002003	08FEB2019	CN	AP



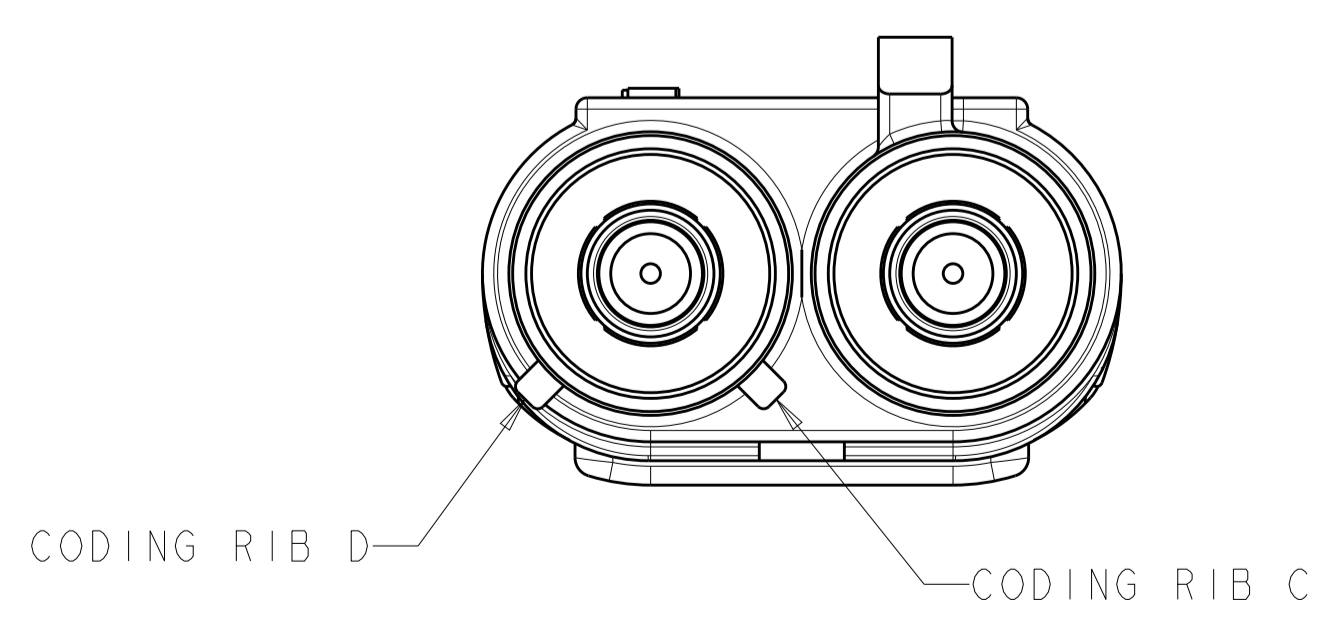
ISOMETRIC VIEW
SCALE 2:1



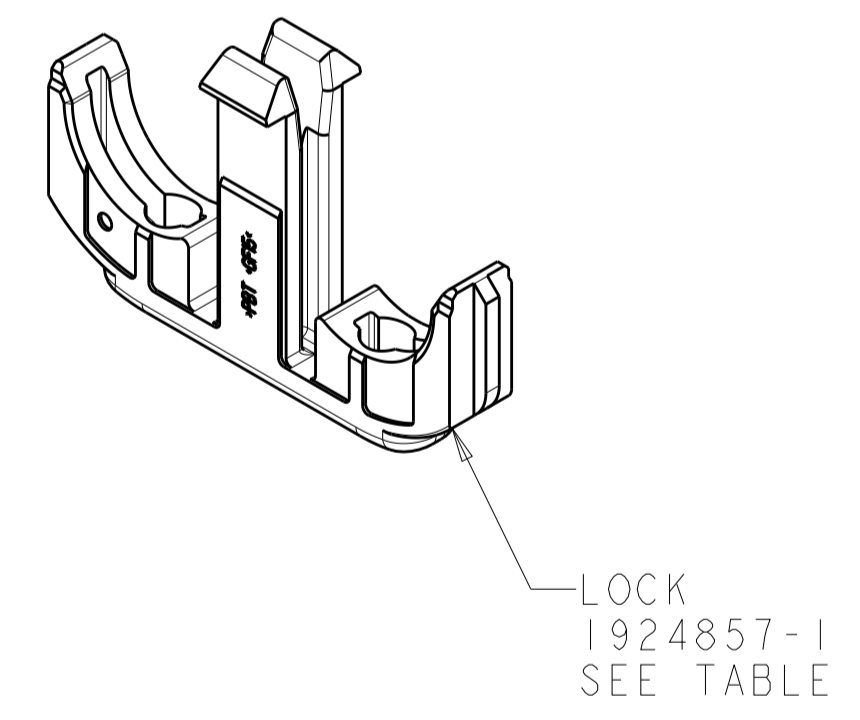
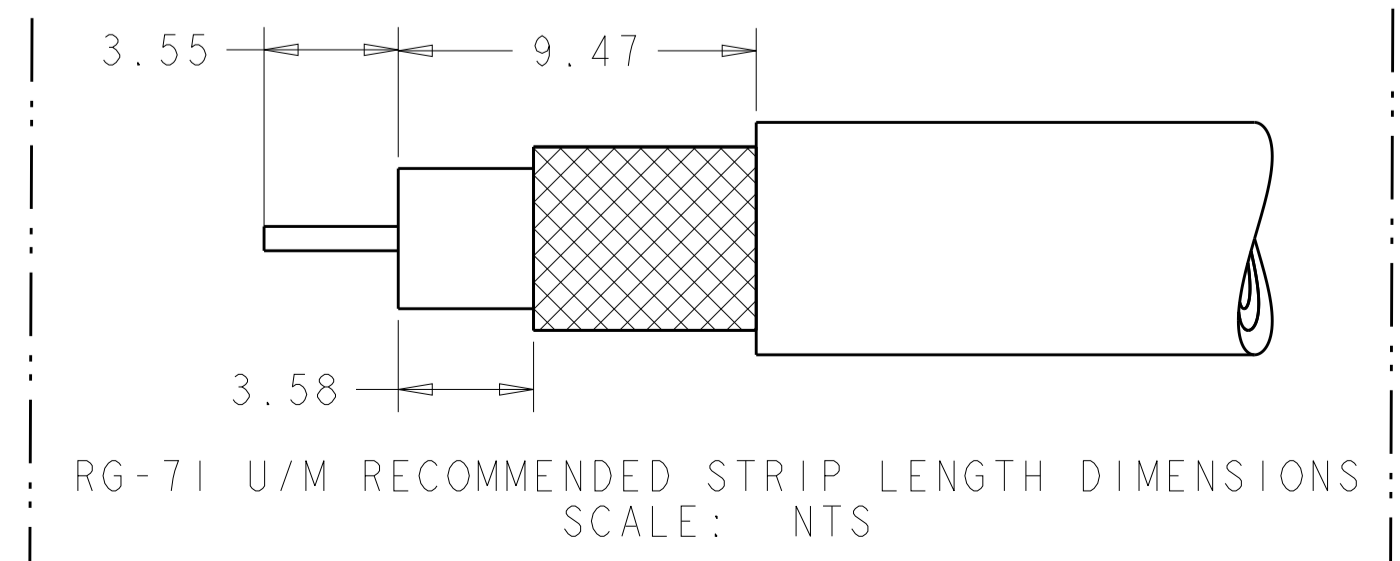
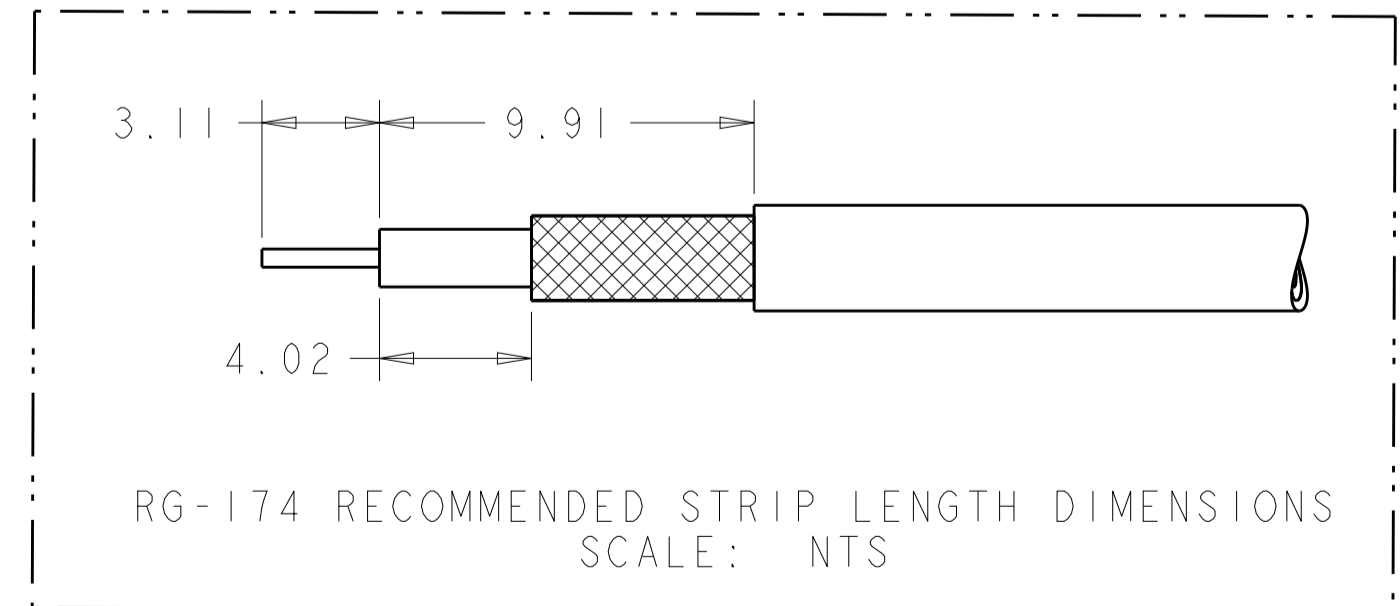
DETAIL X



- ⚠ JACK INTERFACE PER DIN 72594-1.
ROAD VEHICLES - RADIO FREQUENCY INTERFACE - DIMENSIONS AND ELECTRICAL REQUIREMENTS.
- JACK SUBASSEMBLY 1438908-1 WILL ACCEPT RG-174 COAXIAL CABLE, FOR POSITION 1 OR 2.
- JACK SUBASSEMBLY 1438889-1 WILL ACCEPT RG-71 U/M COAXIAL CABLE, FOR POSITION 1 OR 2.
 - SEE INSTRUCTION SHEET 408-10028.
 - PIN CONTACT 1438890-8 MUST BE PURCHASED SEPARATELY FOR USE WITH RG-174 CABLE.
- PIN CONTACT 1438890-9 MUST BE PURCHASED SEPARATELY FOR USE WITH RG-71 U/M CABLE.
 - SPACER 1274233-3 FOR RG-71 U/M MUST BE PURCHASED SEPERATELY.
 - SUBASSY 1924938-1 (EXTENDED DIELECTRIC) IS ALLOWED AS AN ALTERNATE TO SUBASSY 1438908-1.



DETAIL K



PER DETAIL X	PER DETAIL K	K	1924857-1	CURRY	1-1924855-0	1-2098135-0
ASSEMBLY	KEYING	CODING	LOCK PART NUMBER	HOUSING COLOR	JACK HOUSING PART NUMBER	PART NUMBER
DIMENSIONS:		TOLERANCES UNLESS OTHERWISE SPECIFIED:		DWN K. PETERSON 26AUG2004		Tyco Electronics Harrisburg, PA 17105-3608
mm		0 PLC ± 1 PLC ± 2 PLC ±0.25 3 PLC ± 4 PLC ±		CHK L. VARSIK		
MATERIAL:		FINISH:		APVD L. VARSIK		NAME JACK KIT, UNASSEMBLED, 2 POSITION RG-174 AND RG-71 U/M
				PRODUCT SPEC		
				APPLICATION SPEC		SIZE
				WEIGHT		CAGE CODE
				CUSTOMER DRAWING		DRAWING NO
				SCALE		RESTRICTED TO
				SHEET		REV
				OF		
				1		A1