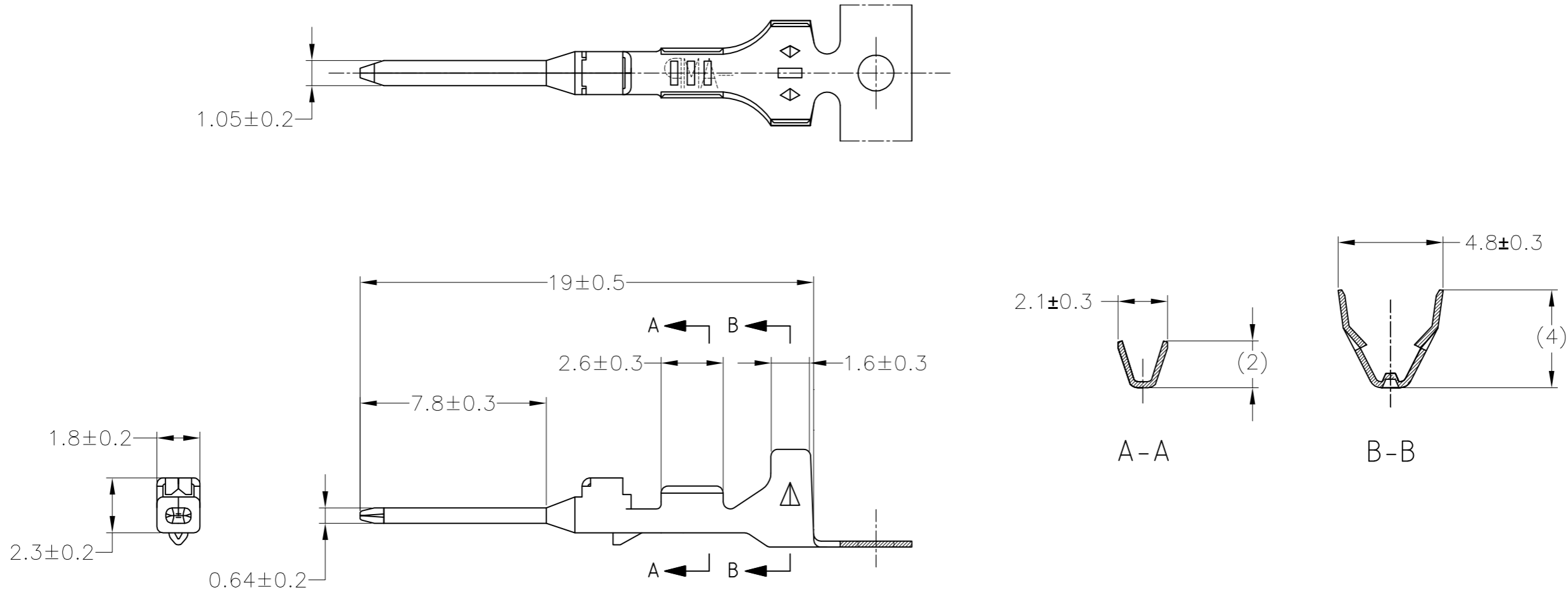


THIS DRAWING IS UNPUBLISHED. RELEASED FOR PUBLICATION
 © COPYRIGHT BY TYCO ELECTRONICS CORPORATION. ALL INTERNATIONAL RIGHTS RESERVED.

LOC	DIST	REVISIONS			
P	LTR	DESCRIPTION	DATE	DWN	APVD
GE	00	A	RELEASED PER ECO-09-001455	19JAN2009	DD SA

1. MATING RECEPTACLE NUMBER; 173681, 776768



2098032-3
 PART NUMBER

THIS DRAWING IS A CONTROLLED DOCUMENT.		DWN A. HOLT 22OCT2008	Tyco Electronics Corporation Harrisburg, PA 17105-3608		
DIMENSIONS: mm	TOLERANCES UNLESS OTHERWISE SPECIFIED:	CHK S. ASHLEY 22OCT2008	NAME		
	0 PLC ± -	APVD S. ASHLEY 22OCT2008	040 SERIES TAB CONTACT, SELECT GOLD		
	1 PLC ± -	PRODUCT SPEC	-		
	2 PLC ± -	APPLICATION SPEC	114-5108		
	3 PLC ± -	WEIGHT	0.22g	SIZE A3	CAGE CODE 00779
	4 PLC ± -	CUSTOMER DRAWING		DRAWING NO C-2098032	RESTRICTED TO
	ANGLES ± 3'	SCALE 5:1		SHEET 1 OF 1	REV A
MATERIAL 0.25 THICK BRASS	FINISH SELECT GOLD				