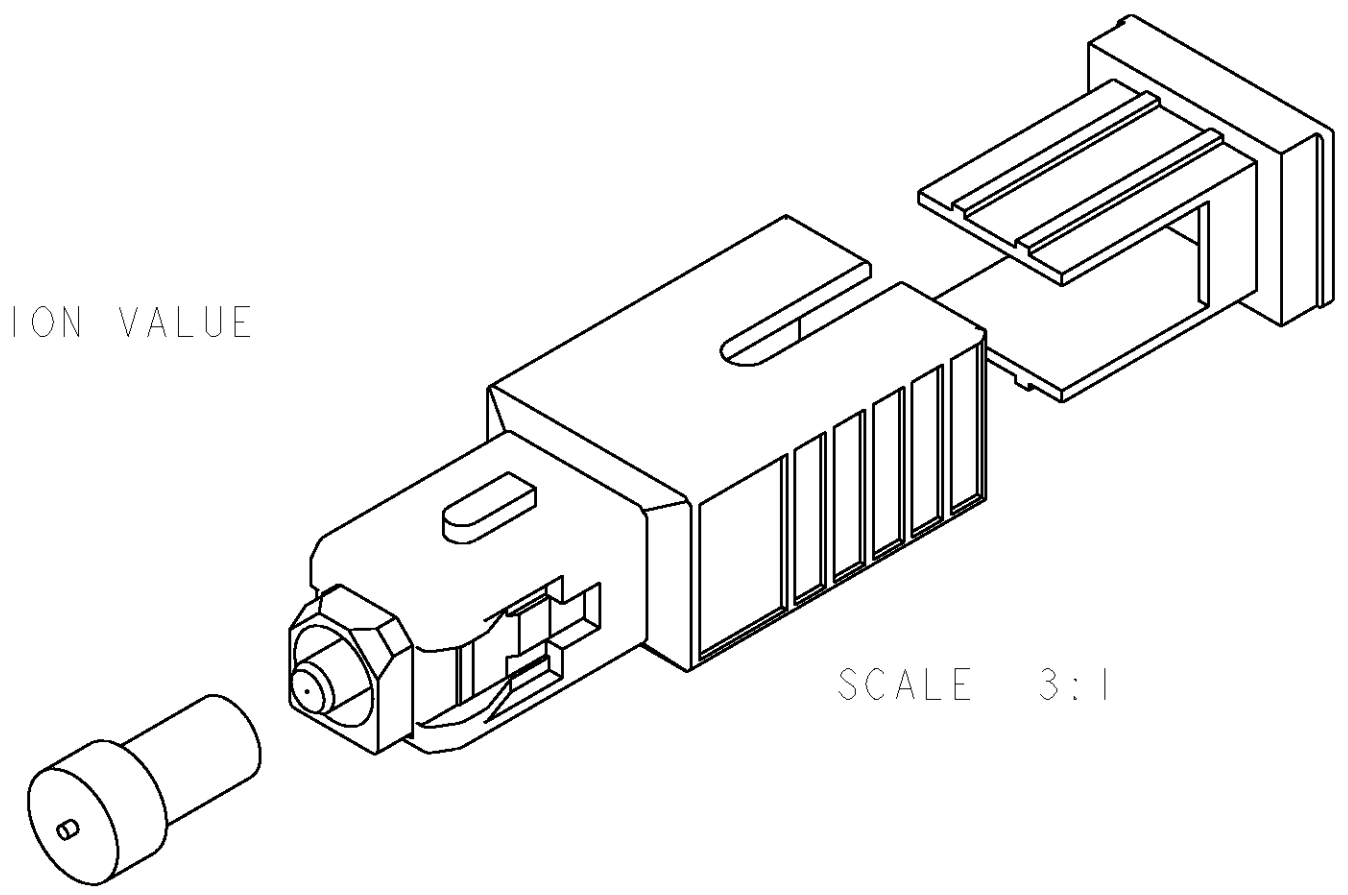


THIS DRAWING IS UNPUBLISHED.
 RELEASED FOR PUBLICATION
 20
 © COPYRIGHT 20 BY TYCO ELECTRONICS CORPORATION. ALL RIGHTS RESERVED.

LOC		DIST		REVISIONS			
P	LTR	DESCRIPTION	DATE	DWN	APVD		
CE	00	S	REV PER 0A00-0178-05	28APR2005	EJH	SB	

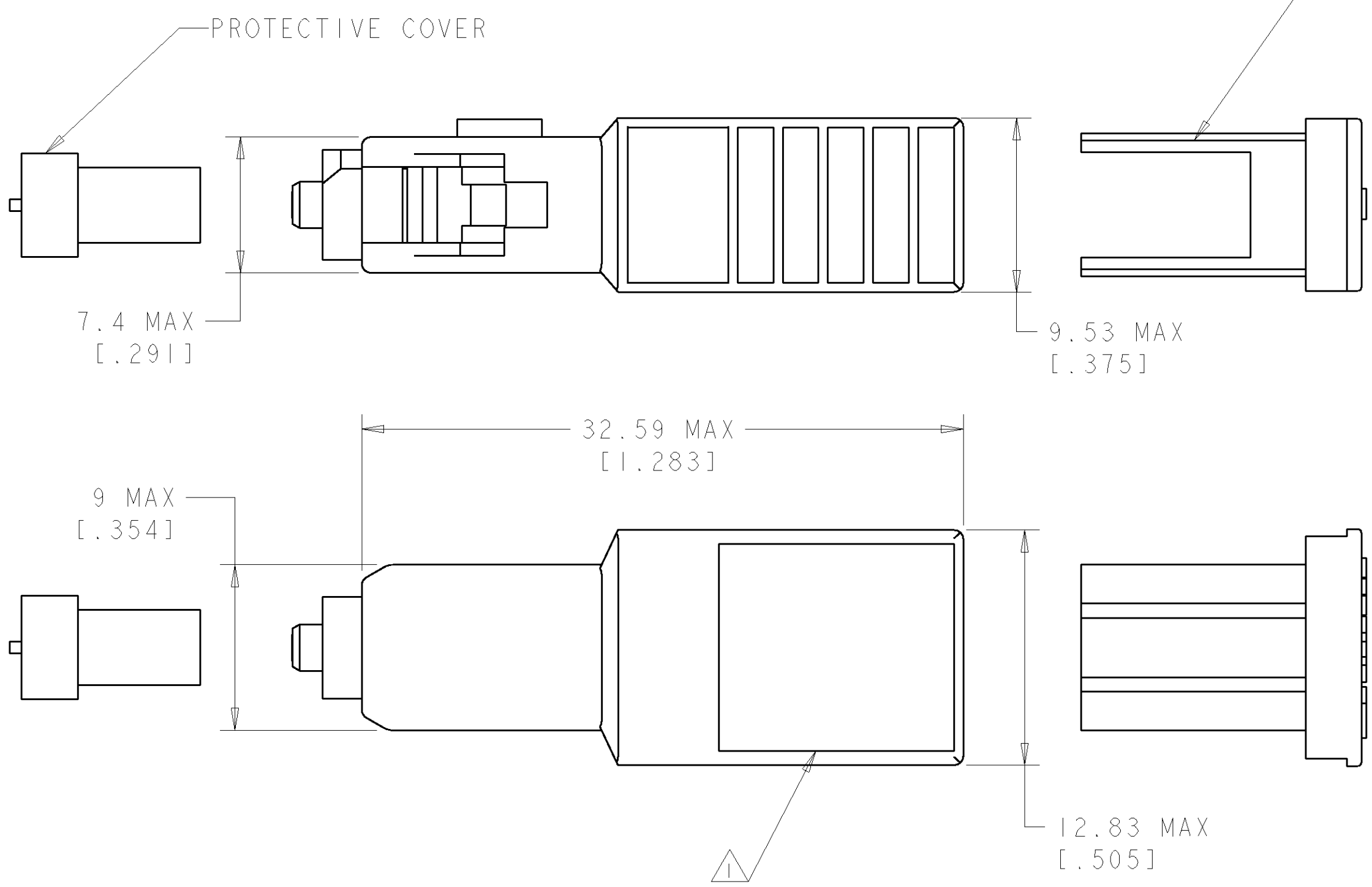
PERFORMANCE REQUIREMENTS:
 OPERATING WAVELENGTH : 1260-1360 & 1430-1625nm
 REFLECTANCE : ≤ -55dB
 OPERATING TEMPERATURE : -40°C TO +75°C
 ATTENUATION TOLERANCE, AMBIENT :
 FOR 0 dB ATTENUATORS : + 0.50dB MAX
 FOR ATTENUATORS ≤ 5dB : ± 0.50dB
 FOR ATTENUATORS >5dB : ± 10% OF NOMINAL ATTENUATION VALUE
 MEASURED WITH REFERENCE QUALITY LAUNCH LEADS

ENDFACE GEOMETRY:
 R.O.C: 10-25mm
 APEX OFFSET: <50um
 FIBER HEIGHT: ±50nm



SCALE 3:1

NOMINAL ATTENUATION VALUE (dB)	PART NUMBER
0	9-209250-9
0.5	7-209250-0
1	209250-1
1.5	7-209250-1
2	209250-2
2.5	7-209250-2
3	209250-3
3.5	7-209250-3
4	209250-4
4.5	7-209250-4
5	209250-5
5.5	7-209250-5
6	209250-6
6.5	7-209250-6
7	209250-7
7.5	7-209250-7
8	209250-8
9	209250-9
10	1-209250-0
11	1-209250-1
12	1-209250-2
13	1-209250-3
14	1-209250-4
15	1-209250-5
16	1-209250-6
17	1-209250-7
18	1-209250-8
19	1-209250-9
20	2-209250-0
25	2-209250-5



OBSOLETE
OBSOLETE
OBSOLETE

⚠ TYCO LOGO, ATTENUATION VALUE, PART NUMBER, AND SERIAL NUMBER ARE PRINTED ON THE LABEL.

<small>THIS DRAWING IS A CONTROLLED DOCUMENT FOR TYCO ELECTRONICS CORPORATION IT IS SUBJECT TO CHANGE AND THE CONTROLLING ENGINEERING ORGANIZATION SHOULD BE CONTACTED FOR THE LATEST REVISION.</small>		DWN D ERDMAN 7-20-00 CHR S MILLER 7-20-00 APVD S BUCHTER 7-20-00	AMP Tyco Electronics Harrisburg, PA 17105-3608
DIMENSIONS: mm [INCHES]	TOLERANCES UNLESS OTHERWISE SPECIFIED: 0 PLC ± 1 PLC ± 2 PLC ± 3 PLC ± 4 PLC ± ANGLES ± FINISH -	PRODUCT SPEC - APPLICATION SPEC - WEIGHT -	NAME ATTENUATOR, FOPC BOA SC/UPC BP SM SIZE A2 CAGE CODE 00779 DRAWING NO C=209250 RESTRICTED TO - CUSTOMER DRAWING SCALE 4:1 SHEET 1 OF 1 REV S