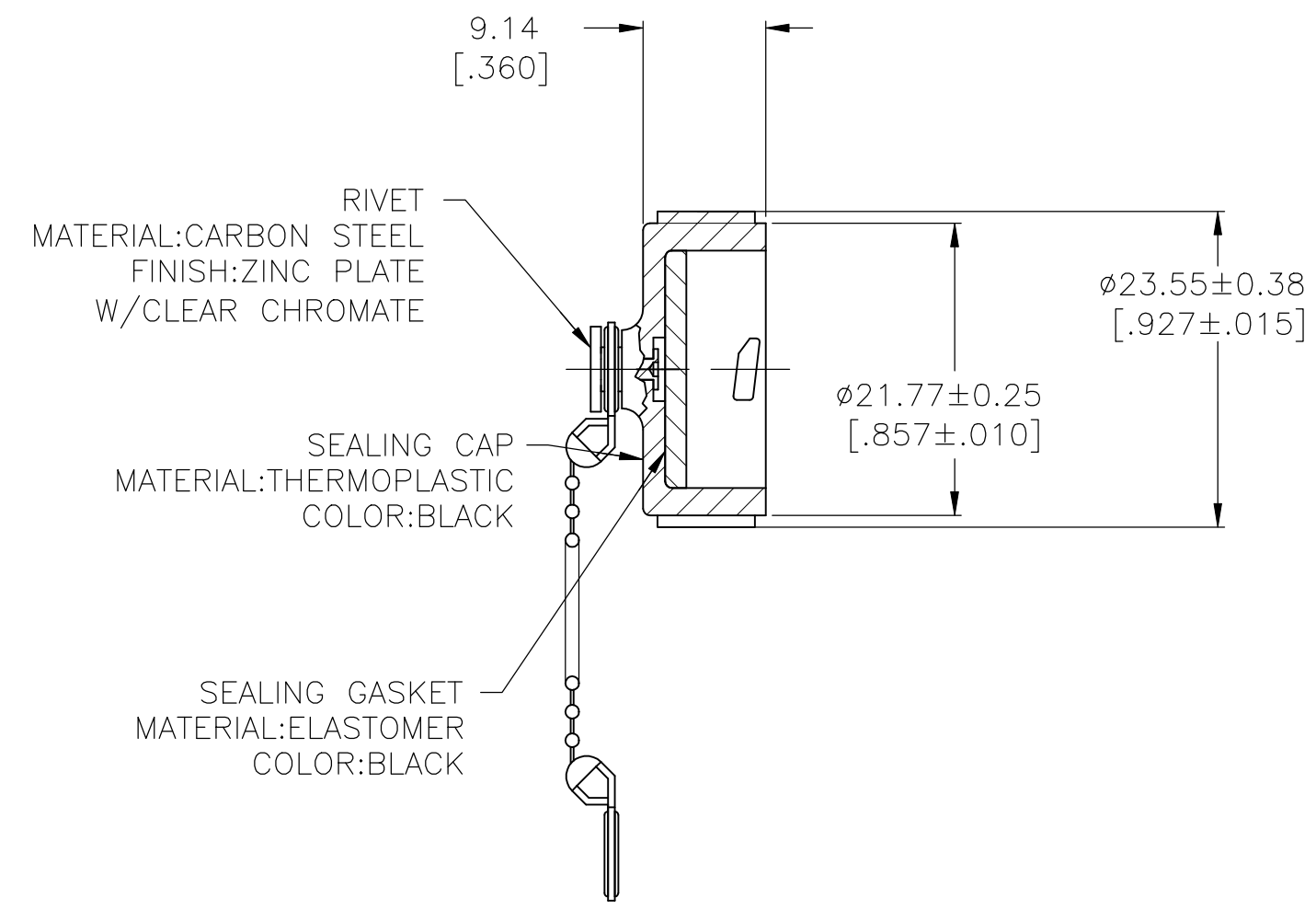
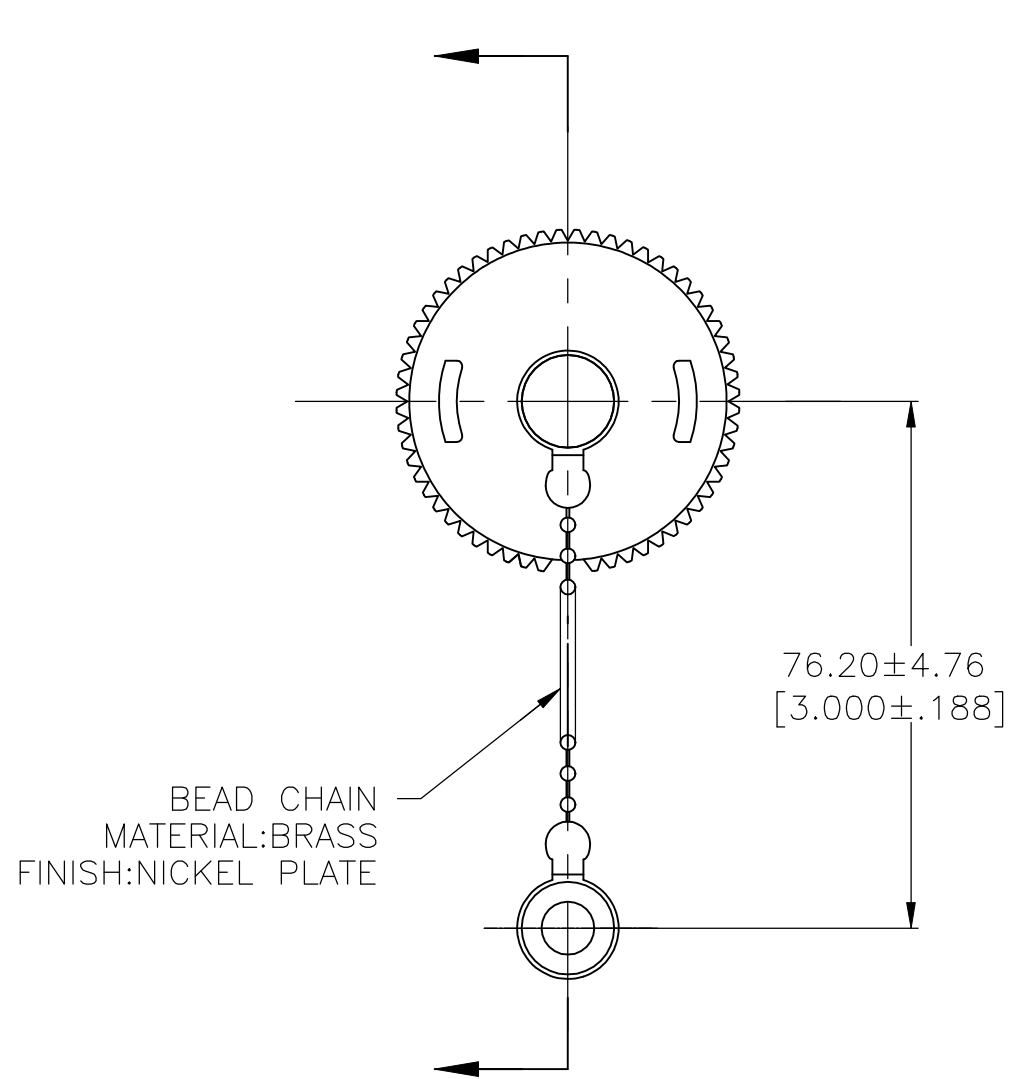



P	LTR	DESCRIPTION	DATE	DWN	APVD
	A	REDRAWN & REV PER EC 0020-680-93	6-9-93	—	AF
	B	REVISED PER ECO-19-001991	08FEB2019	RS	MZ



208800-1  
PART NUMBER

THIS DRAWING IS A CONTROLLED DOCUMENT.		DWN D.BROCKWAY 6-9-93	 TE Connectivity														
DIMENSIONS: mm [INCHES]		CHK R.STONE 7-1-93															
TOLERANCES UNLESS OTHERWISE SPECIFIED:		APVD AL FRANTUM 7-1-93	NAME SEALING CAP ASSY, SIZE 11, WITH BEAD CHAIN, CPC														
<table border="0"> <tr> <td>0 PLC</td> <td>± -</td> </tr> <tr> <td>1 PLC</td> <td>± -</td> </tr> <tr> <td>2 PLC</td> <td>± 0.13 [.005]</td> </tr> <tr> <td>3 PLC</td> <td>± -</td> </tr> <tr> <td>4 PLC</td> <td>± -</td> </tr> <tr> <td>ANGLES</td> <td>± -</td> </tr> </table>		0 PLC	± -	1 PLC	± -	2 PLC	± 0.13 [.005]	3 PLC	± -	4 PLC	± -	ANGLES	± -	PRODUCT SPEC —	APPLICATION SPEC —		
0 PLC	± -																
1 PLC	± -																
2 PLC	± 0.13 [.005]																
3 PLC	± -																
4 PLC	± -																
ANGLES	± -																
MATERIAL SEE CALLOUTS		FINISH SEE CALLOUTS	WEIGHT —	SIZE A3	CAGE CODE 00779	DRAWING NO C-208800	RESTRICTED TO —										
CUSTOMER DRAWING			SCALE 2:1	SHEET 1 OF 1	REV B												