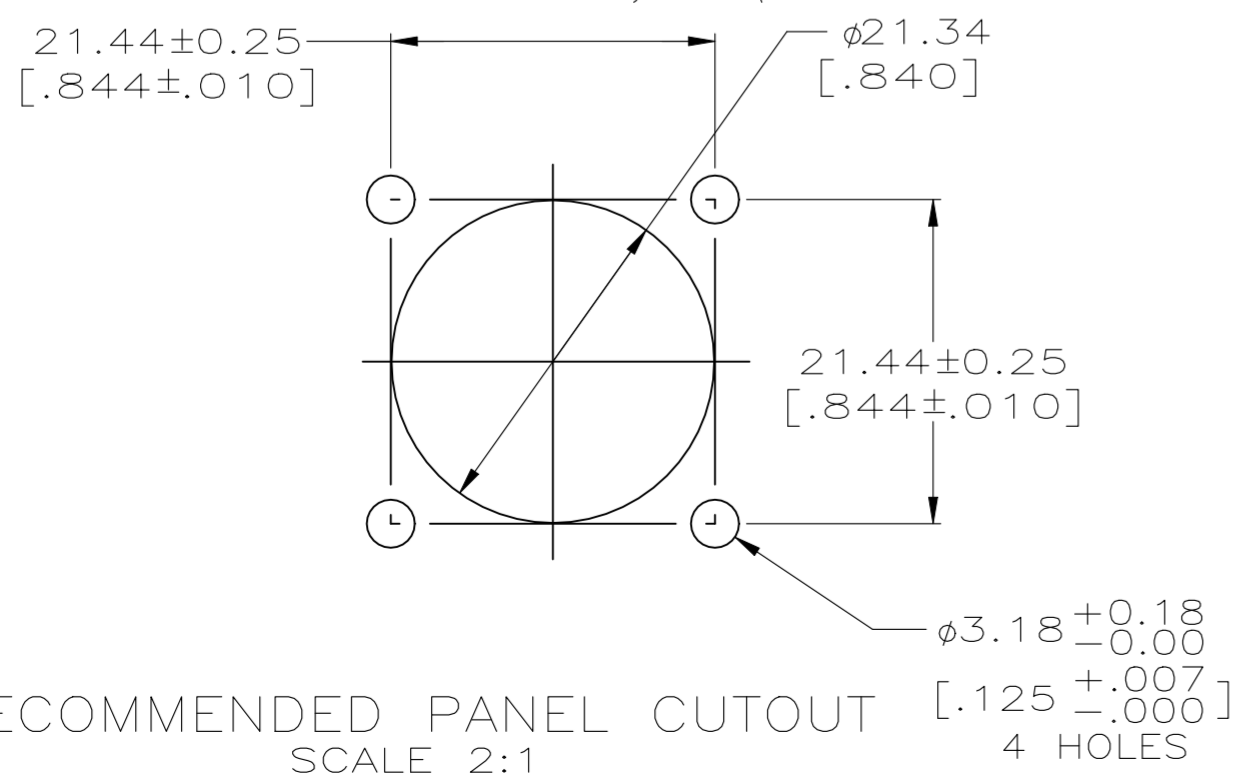
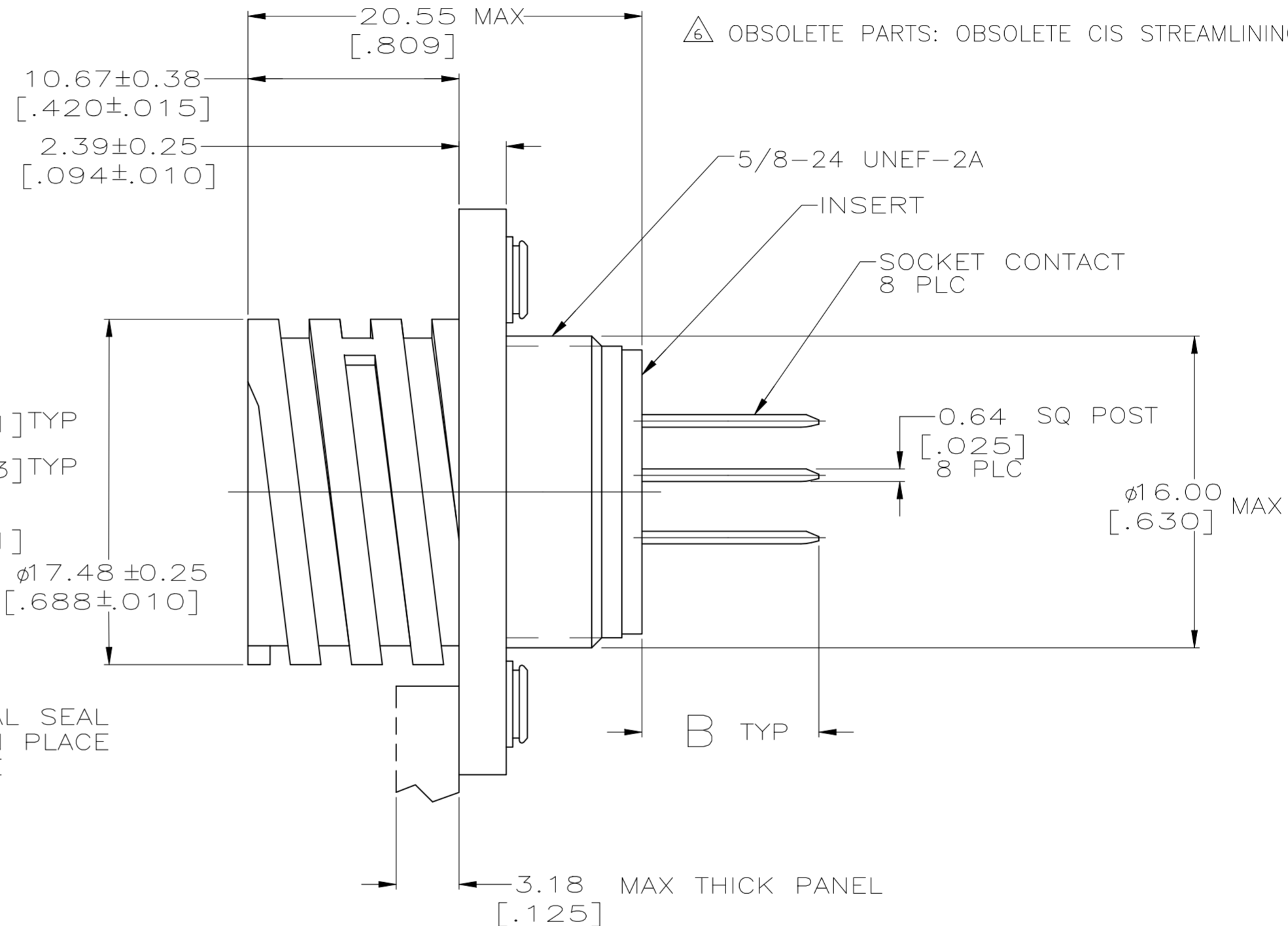
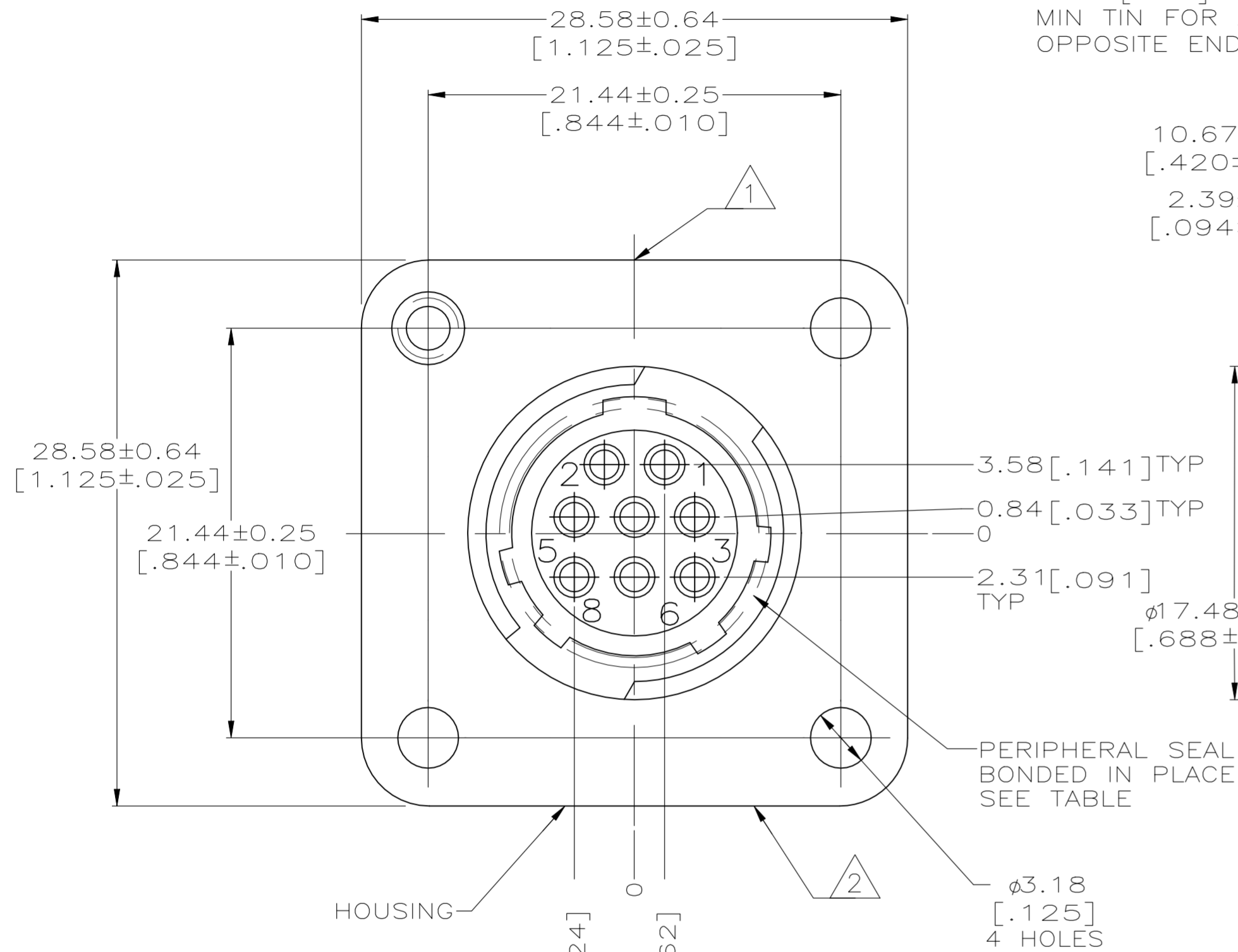


REVISIONS				
P	LTR	DESCRIPTION	DATE	APVD
	K1	REVISED PER ECN-23-205702	12JUL2023	RK MZ

- ① AMP MOLDED ON THIS SURFACE.
- ② PART NUMBER AND DATE CODE MARKED ON THIS SURFACE.
- ③ NYLON, GLASS FILLED, FLAME RETARDANT, BLACK.
- ④ 0.76um [.000030] MIN GOLD FOR A LENGTH OF 2.54 [.100] MIN FROM MATING END, 2.54um [.000100] MIN TIN-LEAD FOR A LENGTH OF 9.70 [.382] MIN FROM OPPOSITE END, BOTH OVER 1.27um [.000050] MIN NICKEL.
- ⑤ 0.76um [.000030] MIN GOLD FOR A LENGTH OF 2.54 [.100] MIN FROM MATING END, 2.54um [.000100] MIN TIN FOR A LENGTH OF 9.70 [.382] MIN FROM OPPOSITE END, BOTH OVER 1.27um [.000050] MIN NICKEL.

⑥ OBSOLETE PARTS: OBSOLETE CIS STREAMLINING PER D.RENAUD/D.SINISI



REV	DESCRIPTION	CONTACT FINISH	PERIPHERAL SEAL	THREADED INSERT	DIM B	PART NUMBER
⑤		NO	NO		8.94±0.76 [.352±.030]	1-208657-1
⑤		NO	YES		14.58±0.76 [.574±.030]	1-208657-0
⑤	OBSOLETE	NO	NO		12.17±0.76 [.479±.030]	208657-9
④	OBSOLETE	NO	NO		12.17±0.76 [.479±.030]	208657-8
④	OBSOLETE	YES	YES		14.58±0.76 [.574±.030]	208657-7
④	OBSOLETE	NO	NO		8.94±0.76 [.352±.030]	208657-6
④	OBSOLETE	NO	YES		14.58±0.76 [.574±.030]	208657-5
④	OBSOLETE	NO	YES			208657-4
④	OBSOLETE	NO	NO			208657-3
④	OBSOLETE	NO	NO		8.94±0.76 [.352±.030]	208657-2
④	OBSOLETE	NO	NO		8.94±0.76 [.352±.030]	208657-1

THIS DRAWING IS A CONTROLLED DOCUMENT.

DWN	L. SIPE	05/16/90	TE TE Connectivity
CHK	J. McCLINTON	5/30/90	
APVD	M. KAPEZYNSKI	5/30/90	NAME
PRODUCT SPEC			108-10024
APPLICATION SPEC			
MATERIAL			WEIGHT
4-40 THREADED INSERTS: BRASS			-
HOUSING AND INSERT: ③			
SOCKET CONTACTS: PHOSPHOR BRONZE			
FINISH			
TOLERANCES UNLESS OTHERWISE SPECIFIED:			
0 PLC ± -			
1 PLC ± -			
2 PLC ± 0.13 [.005]			
3 PLC ± -			
4 PLC ± -			
ANGLES ± -			
DIMENSIONS:			
mm			
SCALE			4:1
SHEET			1 OF 1
REV			K1