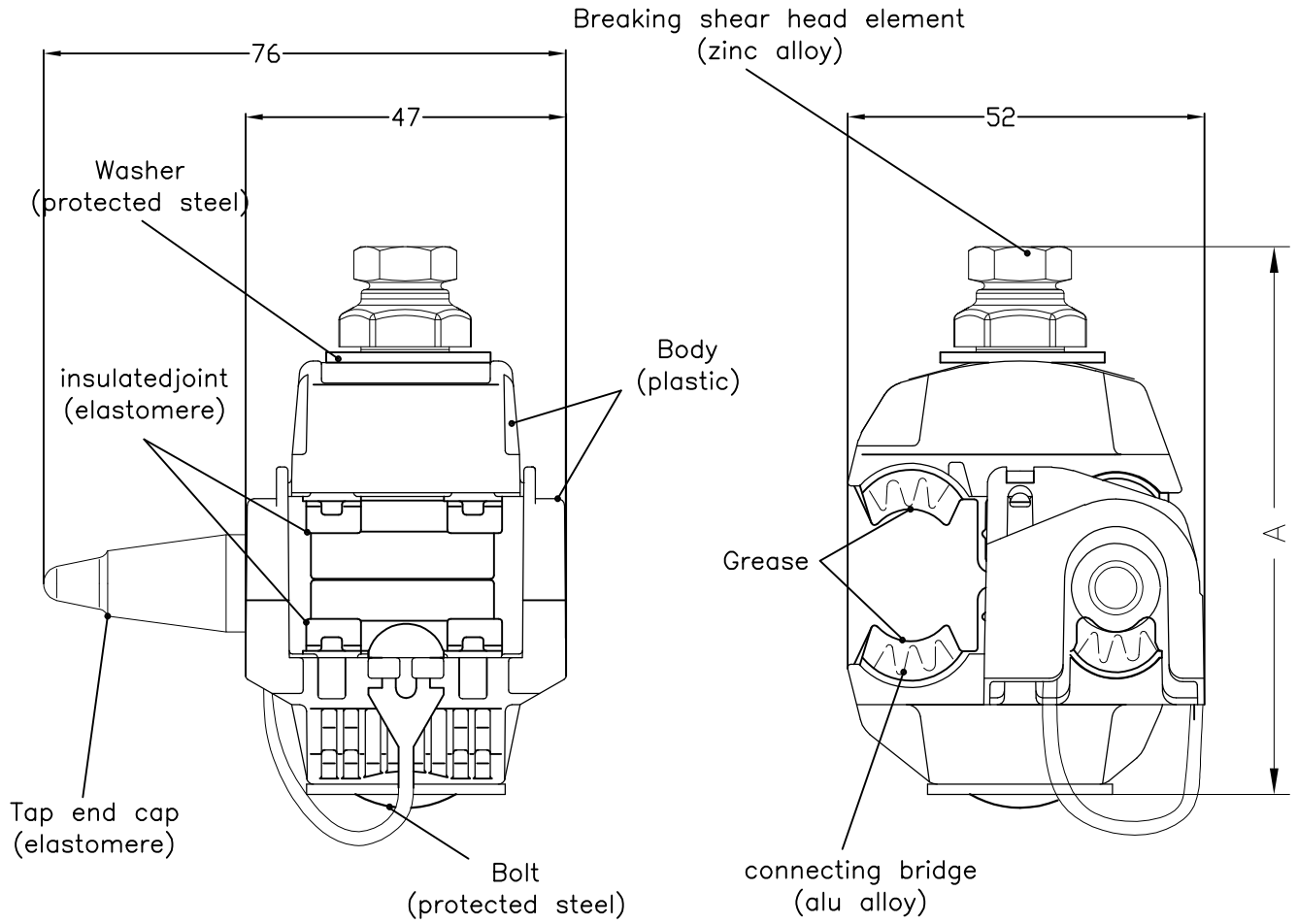


REVISIONS


P	LTR	DESCRIPTION	DATE	DWN	APVD
	1	ORIGINAL	29APR2016	GW	SS



Marking: REFERENCE, CAPACITIES, DATE

PN	Code	REF AMP-SIMEL	Weight	Dimension COTE A	CAPACITIES mm ²		Breaking shear head torque	Hexagonal wrench
					Main	Tap		
2084957-2	021107	KZ2-150	118	80	50-150	6-35 (50)	11Nm	13
2084957-1	021106	KZ2-95	115	77	16-95	4-35 (50)	11Nm	13

THIS DRAWING IS UNPUBLISHED. ALL RIGHTS RESERVED. BY - COPYRIGHT -

DIMENSIONS: mm	DWN GAVIN WU 29APR2016	MATERIAL -	FINISH -
	CHK YANJIAHUA 29APR2016	 TE Connectivity	
TOLERANCES UNLESS OTHERWISE SPECIFIED:	APVD STEVEN SHI 29APR2016		
0 PLC ± -	PRODUCT SPEC -	SIZE A4	CAGE CODE 00779
1 PLC ± -	APPLICATION SPEC -	DRAWING NO C-2084957	RESTRICTED TO -
2 PLC ± -		WEIGHT -	SCALE 1:1
3 PLC ± -	CUSTOMER DRAWING		REV 1
4 PLC ± -			
ANGLES ± -			