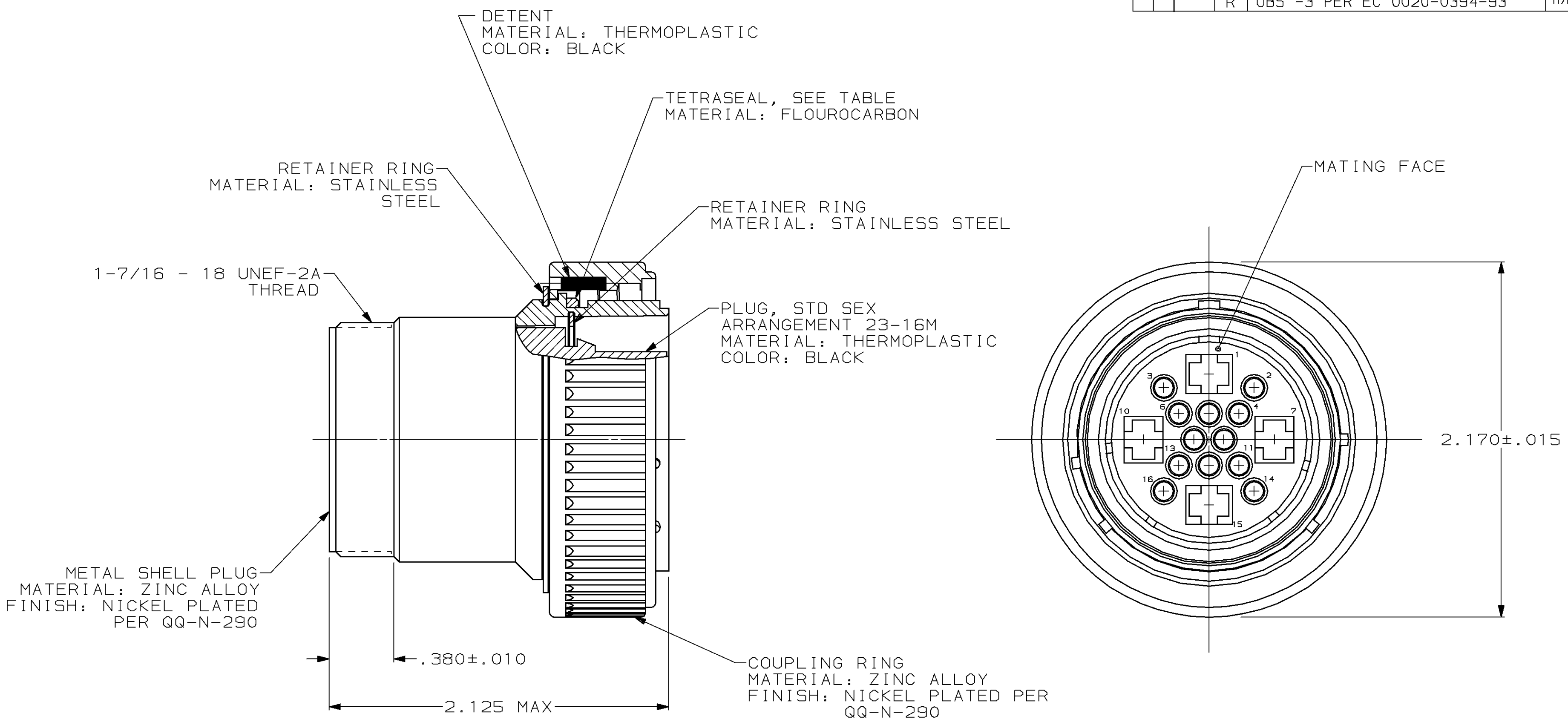


MOD	LOC	DIST	P	F	ZONE	LTR	DESCRIPTION	DATE	APPD
4	BD	35				N	REDRAWN	6-26-91	-
						P	REV PER ECN BD5454	05/26/92	KB
						R	OBS -3 PER EC 0020-0394-93	11/17/94	RK



- 208478-1 MATES WITH AMP RECEPTACLE 208479-1 OR -2. 208478-3 MATES WITH AMP RECEPTACLE 208479-1 ONLY.
- AMP PART NUMBER AND DATE CODE TO BE LOCATED ON COUPLING RING.

OBSOLETE	YES	208478-3
	NO	208478-1
	TETRASEAL	PART NUMBER

DO NOT SCALE PRINT. UNLESS SPECIFIED DIMENSIONS IN INCHES TOLERANCES ON :	DR 6-26-91 R.LEE BG	AMP AMP Incorporated Harrisburg, PA 17105-3608		
2 PLC DEC ± -	CHK 4-20-92 W.G.LENKER			
3 PLC DEC ± -	APPD 4-20-92 K.BEAVER	NAME PLUG ASSEMBLY, STD SEX, SERIES 4, 28-16M, CMC		
ANGLES ± -	APPD 4-20-92 C.ROHDE			
MATERIAL SEE CALLOUT	PRODUCT SPEC 108-10040	SIZE C	CAGE CODE 00779	DRAWING NO 208478
FINISH SEE CALLOUT	APPLICATION SPEC -	SCALE 2:1	SHEET 1 OF 1	
	WEIGHT -			