

© - TE Connectivity. All Rights Reserved.

THE DRAWING SHOWS THE 2-DIMENSIONAL REFERENCE COMPONENT CONDITION OF THE ASSEMBLY TO IDENTIFY AND SPECIFY THE NECESSARY DIMENSIONS ONLY. THE DELIVERED PARTS MAY DEVIATE FROM THE DRAWING REGARDING THE ORIENTATION AND POSITION OF EACH COMPONENT (e.g. SLACK CABLE), SO FAR THE FUNCTIONALITY IS NOT CONCERNED.

DIE ZEICHNUNG ZEIGT DEN 2-DIMENSIONALEN IDEALZUSTAND DES ZUSAMMENBAUTEILS BEZUEGLICH DER KOMPONENTEN ZUR IDENTIFIKATION UND SPEZIFIKATION DER NOTWENDIGEN DIMENSIONEN. HINSICHTLICH DER ORIENTIERUNG UND DER LAGE DER KOMPONENTEN (z.B. BIEGESCHLAFTES KABEL) KOENNEN DIE GELIEFERTEN TEILE VON DER ZEICHNUNG ABWEICHEN, SOFERN DIE FUNKTIONALITAET NICHT BEEINTRAECHTIGT IST.

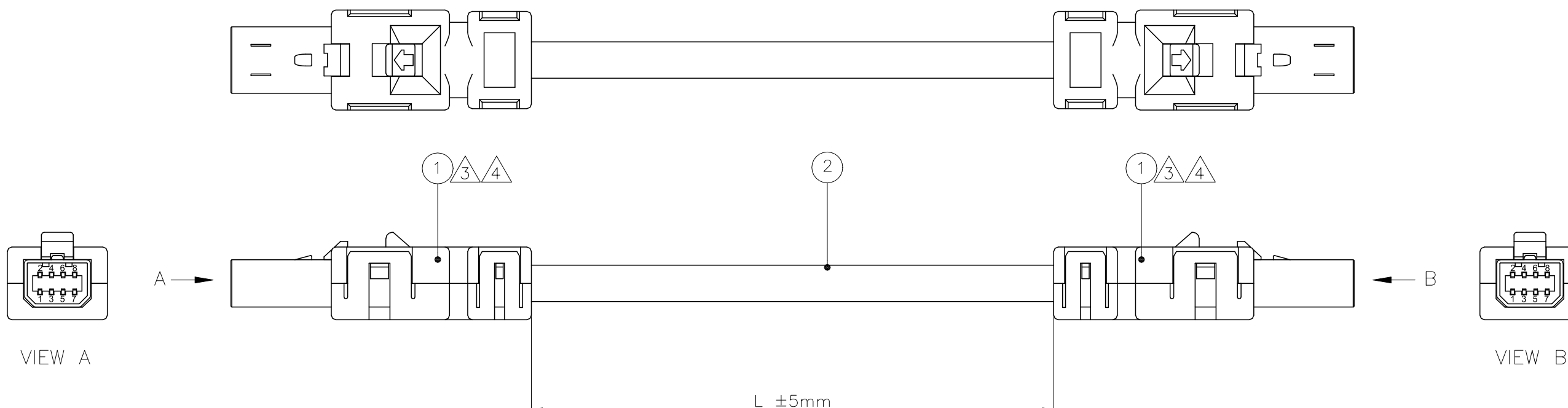
REVISIONS

| P | LTR | DESCRIPTION | DATE | DWN | APVD |
|---|-----|----------------------------|-----------|-----|------|
| | A5 | PROP 65 WARNING NOTE ADDED | 14DEC2021 | SS | JDB |

NOTES:

- 1 PACKAGING: ACC. TO TE SPEC. 107-18032
- 2 ELECTRICAL TEST ACCORDING TE SPECIFICATION 108-18857.
SHORT-CIRCUIT AND CONTINUITY TEST AT 500V DC, 0.1s
- 3 KEEP THE DIRECTION OF CONNECTOR TO THE CABLE ON BOTH SIDE THE SAME
- 4 WIRING SCHEMA ACC. TO TIA/EIA-568-B AS SHOWN IN WIRING SCHEDULE
- 5 PROP 65 WARNING LABEL: SEE SHEET 2

| | LENGTH L [m] | TE PN |
|----------|-----------------|------------------------|
| | 0.3 | 2083110-1 ⁵ |
| | 1 | 2083110-2 ⁵ |
| OBSOLETE | 2 | 2083110-3 |
| OBSOLETE | 3 | 2083110-4 |
| | 5 | 2083110-5 ⁵ |



WIRING SCHEDULE ⁴

| CAVITY SIDE A | COLOR | CAVITY SIDE B |
|---------------|-------|---------------|
| 1 | WH/OG | 1 |
| 2 | OG | 2 |
| 3 | WH/GN | 3 |
| 4 | BU | 4 |
| 5 | WH/BU | 5 |
| 6 | GN | 6 |
| 7 | WH/BN | 7 |
| 8 | BN | 8 |

| AR | m | DESCRIPTION | ITEM |
|-----|-----|--------------------------------------|------|
| 1 | m | INDUSTRIAL ETHERNET CAT5e AWG 26 4x2 | 2 |
| 2 | pc | INDUSTRIAL MINI I/O PLUG KIT D2 | 1 |
| QTY | UoM | DESCRIPTION | ITEM |

THIS DRAWING IS A CONTROLLED DOCUMENT.

| | | |
|------------------|--------------|---------|
| DWN | Z. JAHR | 08JUN10 |
| CHK | R. HOSSAINI | 08JUN10 |
| APVD | G. LINDEMANN | 08JUN10 |
| PRODUCT SPEC | | |
| APPLICATION SPEC | | |
| WEIGHT | | |
| CUSTOMER DRAWING | | |

TE TE Connectivity

NAME: CABLE ASSEMBLY, MINI IO TO MINI IO, TYPE II

| | | | |
|------|-----------|------------|---------------|
| SIZE | CAGE CODE | DRAWING NO | RESTRICTED TO |
| A3 | 00779 | C-2083110 | - |


SCALE: NTS SHEET: 1 of 2 REV: A5

| REVISIONS | | | | | |
|-----------|-----|-------------|------|-----|------|
| P | LTR | DESCRIPTION | DATE | DWN | APVD |
| | - | SEE SHEET 1 | - | - | - |


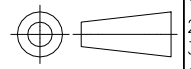
NOTES: CONTINUATION FROM SHEET 1:

5 PROP 65 WARNING LABEL:

- THE WARNING LABEL ON THE PRODUCT OR LOWEST LEVEL PACKAGING
- CHEMICAL NAME: ANTIMONY TRIOXIDE



WARNING: This product can expose you to chemicals including ANTIMONY TRIOXIDE which is known to the state of California to cause cancer. For more information, visit www.P65Warnings.ca.gov.

| | | | | | |
|---|-------------|---|---|-------------------------|--------------|
| THIS DRAWING IS A CONTROLLED DOCUMENT. | | DWN Z.JAHR 08JUN10 |  | | |
| | | CHK R.HOSSAINI 08JUN10 | | | |
| DIMENSIONS: mm | | APVD G.LINDEMANN 08JUN10 | NAME CABLE ASSEMBLY, MINI IO TO MINI IO, TYPE II | | |
|  | | TOLERANCES UNLESS OTHERWISE SPECIFIED: | | RESTRICTED TO | |
| | | 0 PLC ± - 1 PLC ± - 2 PLC ± - 3 PLC ± - 4 PLC ± - ANGLES ± - | | - | |
| MATERIAL - | FINISH - | PRODUCT SPEC - | APPLICATION SPEC - | WEIGHT - | SIZE A3 |
| CUSTOMER DRAWING | | | CAGE CODE 00779 | DRAWING NO C-2083110 | SCALE NTS |
| | | | | SHEET 2 of 2 | REV A5 |