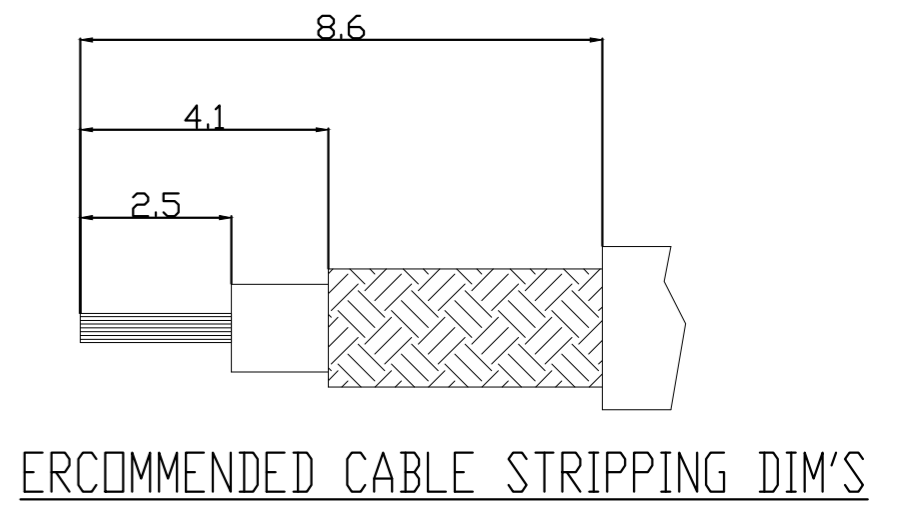
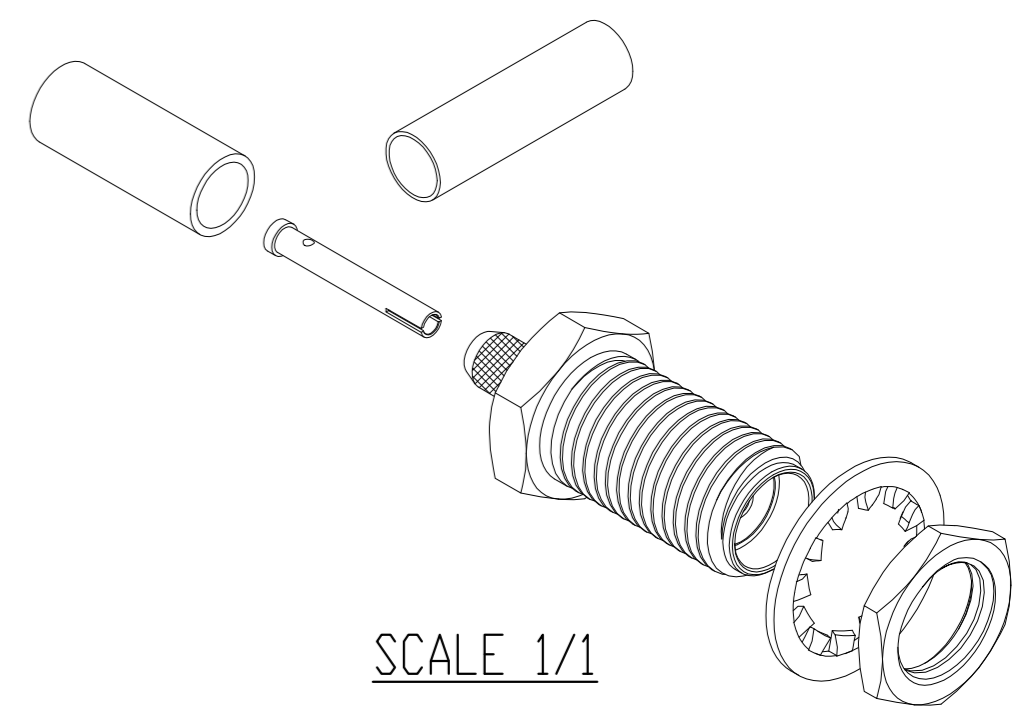
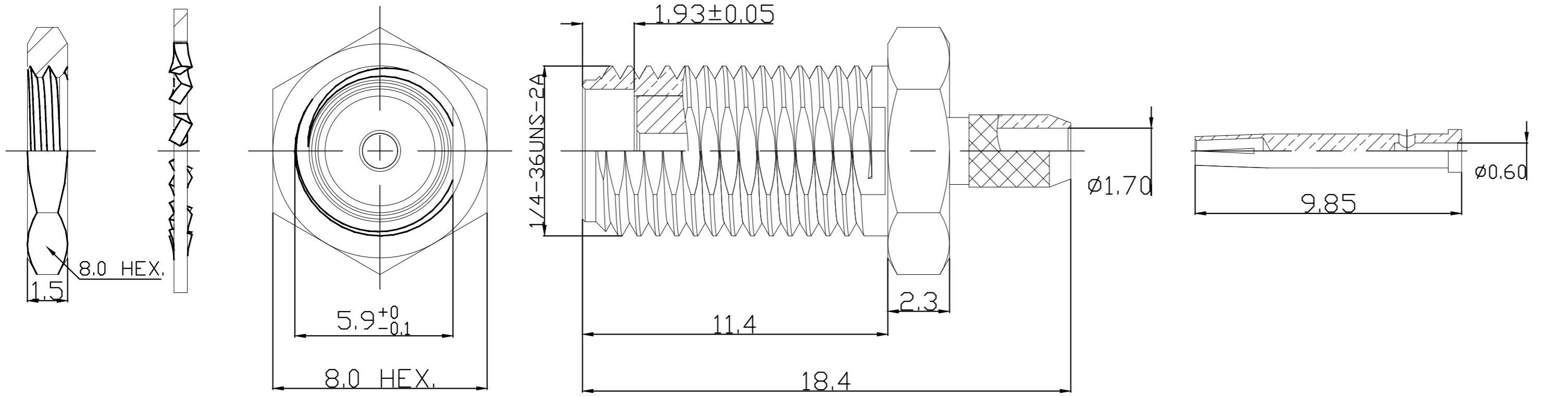


THIS DRAWING IS UNPUBLISHED. RELEASED FOR PUBLICATION AUGUST 2006
 © COPYRIGHT 2006 By - ALL RIGHTS RESERVED.

P	LTR	DESCRIPTION	DATE	DWN	APVD
A		FIRST RELEASE	21Aug 2019	ED	RS



- NOTES:
- 1 PACK IN ACCORDANCE WITH TE SPEC 107-3275
 - 2 ALL DIMENSIONS ARE NOMINAL FOR REFERENCE ONLY UNLESS OTHERWISE STATED

ELECTRICAL	MECHANICAL	ENVIRONMENTAL
Impedance (Ohm) 50	Interface Dimension MIL-STD-348B Fig. 310-2	TEMPERATURE RANGE -65°C TO + 165°C
Frequency Range (GHz) DC to 6GHz	Recommended Coupling Torque 7 to 10 In-Lbs	THERMAL SHOCK MIL-STD-202, METH.107, COND.B
Voltage Rating (Peak) @ Seq Level 350 V RMS	Force to Engage and Disengage (In/lbs) 2.0 MAX	CORROSION MIL-STD-202, METH.101, COND.B
Insulation Resistance (MIN.) 1000 M ohms	Center Contact Captivation Axial (Lbs) 6.0 Radial (In/Oz) N/A	VIBRATION MIL-STD-202, METH.204, COND.D
Contact Resistance (Milliohms MAX) Center Contact 6.0 Outer Contact 2.0	Cable Retention Axial (Lbs) N/A	SHOCK MIL-STD-202, METH.213, COND.I
Dielectric Withstand Voltage: 750 V RMS Max	Mating cycles 500 cycles	MOISTURE RESISTANCE MIL-STD-202, METH.106.
Insertion Loss : N/A dB		ROHS COMPLIANT
VSWR: 1.35 MAX (DC-6GHz)		
RF leakage: N/A		
3rd Intermodulation: N/A		

THIS DRAWING IS A CONTROLLED DOCUMENT.

DIMENSIONS: mm	TOLERANCES UNLESS OTHERWISE SPECIFIED: 0 PLC ± 0.3 1 PLC ± 0.2 2 PLC ± 0.1 3 PLC ± - 4 PLC ± - ANGLES ± 5°	DWN ED 21Aug 2019 CHK BW 21Aug 2019 APVD RS 21Aug 2019	TE Connectivity Ltd.	
MATERIAL SEE TABLE	FINISH -	PRODUCT SPEC -	NAME SMA JACK FOR RG-174/RG-316 CABLE 50 OHM 6GHZ	
		APPLICATION SPEC -	SIZE A2	RESTRICTED TO -
		WEIGHT -	CAGE CODE 00779	
		CUSTOMER DRAWING	DRAWING NO C=2081865	
			SCALE 10:1	SHEET 1 of 1
			REV A	