

THIS DRAWING IS UNPUBLISHED.

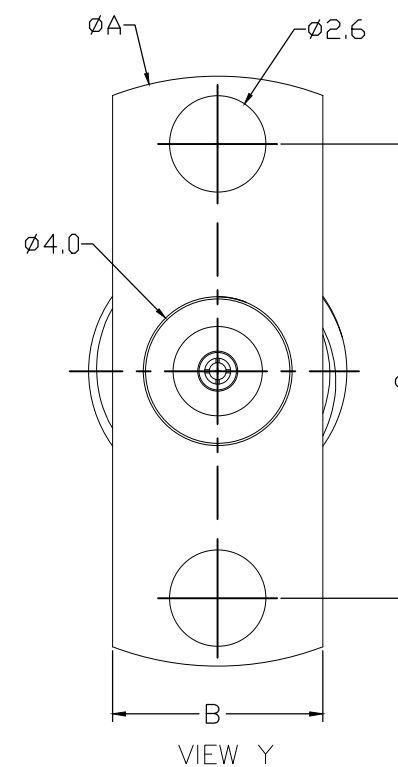
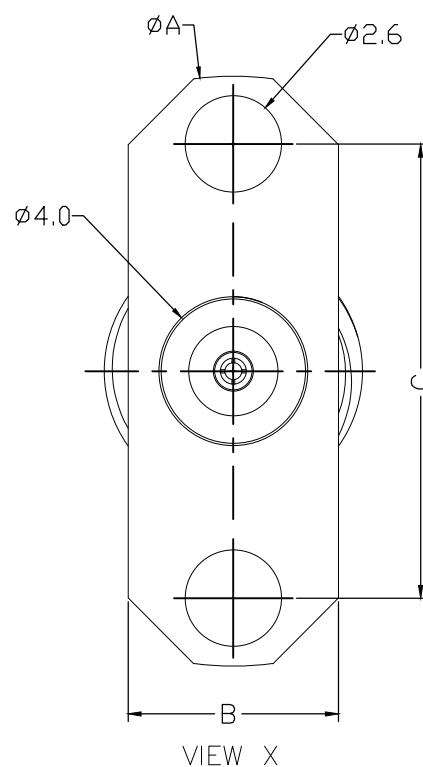
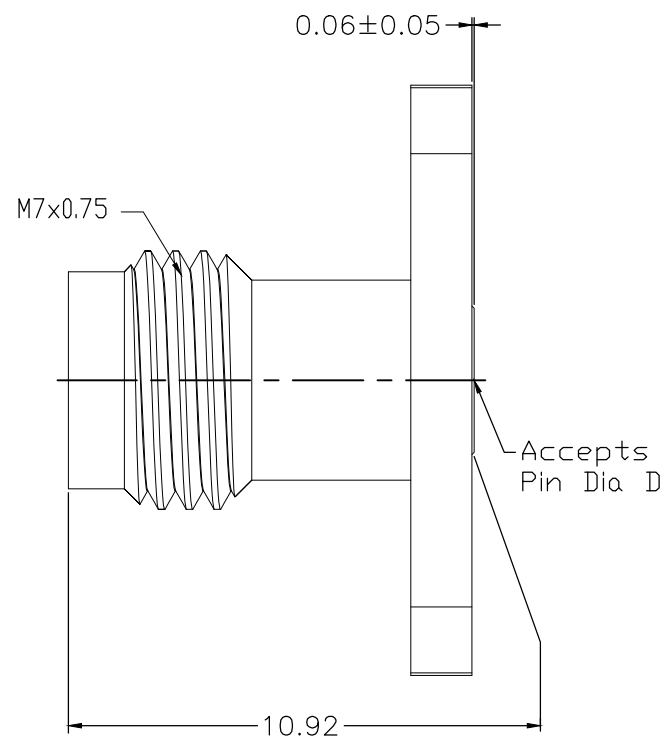
RELEASED FOR PUBLICATION

ALL RIGHTS RESERVED.

© COPYRIGHT - TE Connectivity Ltd.

REVISIONS

P	LTR	DESCRIPTION	DATE	DWN	APVD
	A	RELEASE	30AUG2019	RZ	RS



												VIEW			
												C			8
												B			7
												A			6
												Dia D			5
0.51	0.46	0.38	0.30	0.51	0.46	0.38	0.30	0.51	0.46	0.38	0.30				4
1	1	1	1	1	1	1	1	1	1	1	1	PASSIVATED	STEEL	OUTER CONTACT	3
1	1	1	1	1	1	1	1	1	1	1	1	-	PEI	INSULATION	2
1	1	1	1	1	1	1	1	1	1	1	1	Au	BeCu	CENTER CONTACT	1
2-4	2-3	2-2	2-1	1-4	1-3	1-2	1-1	-4	-3	-2	-1	PLATING	MATERIAL	DESCRIPTION	ITEM
												← REVISION OF EACH ASSY NO (WHEN BLANK, USE DWG REVISION)			
QUANTITY PER ASSY												PARTS LIST			

ELECTRICAL	MECHANICAL	ENVIRONMENTAL
Impedance (Ohm) <u>50</u>	Interface Dimension MIL-STD-348B Fig. <u>324-2</u>	TEMPERATURE RANGE <u>-55°C TO + 125°C</u>
Frequency Range (GHz) <u>DC to 50GHz</u>	Recommended Coupling Torque <u>7 to 10 In-Lbs</u>	THERMAL SHOCK <u>MIL-STD-202, METH.107, COND.B</u>
Voltage Rating (Peak) <u>@ Sea Level 335 V RMS</u>	Force to Engage and Disengage (N) <u>1.4 MAX</u>	CORROSION <u>MIL-STD-202, METH.101, COND.B</u>
Insulation Resistance (MIN.) <u>5000 M ohms</u>	Center Contact Captivation	VIBRATION <u>MIL-STD-202, METH.204, COND.D</u>
Contact Resistance (Milliohms MAX)	Axial (N) <u>27.0</u>	SHOCK <u>MIL-STD-202, METH.213, COND.I</u>
Center Contact <u>3.0</u>	Radial (In/Oz) <u>N/A</u>	MOISTURE RESISTANCE <u>MIL-STD-202, METH.106</u>
Outer Contact <u>2.0</u>	Cable Retention	ROHS <u>COMPLIANT</u>
Dielectric Withstand Voltage: <u>750 V RMS Max</u>	Axial (Lbs) <u>N/A</u>	
Insertion Loss : <u>0.05*SQRT(F) dB</u>	Mating cycles <u>500 cycles</u>	
VSWR: <u>1.05 + 0.05*SQRT(F) (GHz)</u>		
RF leakage: <u>N/A</u>		
3rd Intermodulation: <u>N/A</u>		

THIS DRAWING IS A CONTROLLED DOCUMENT.

DWN	Randy Z	28MAY2019
CHK	Eric D	28MAY2019
APVD	Roger S	28MAY2019

PRODUCT SPEC: -
APPLICATION SPEC: -
WEIGHT: -

STE TE Connectivity

NAME: 2.4MM JACK 2 HOLE RECEPTACLE

SIZE	CAGE CODE	DRAWING NO	RESTRICTED TO
A3	00779	C-2081598	-

CUSTOMER DRAWING

SCALE: 1:1 SHEET: 1 OF 1 REV: A