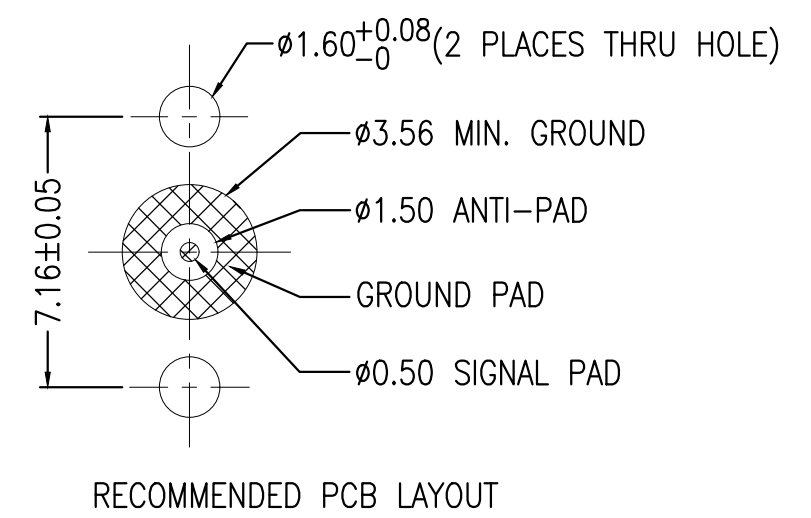
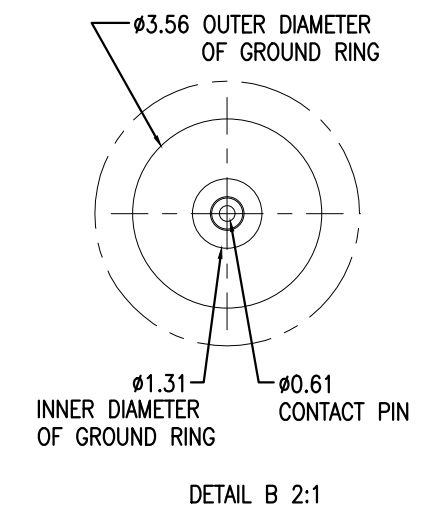
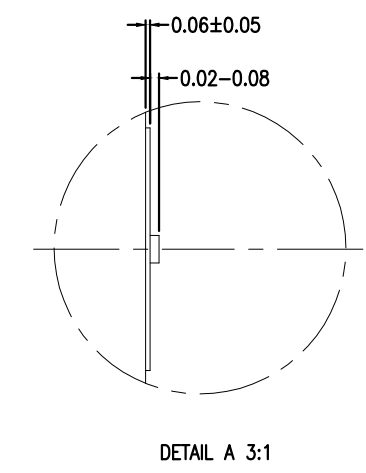
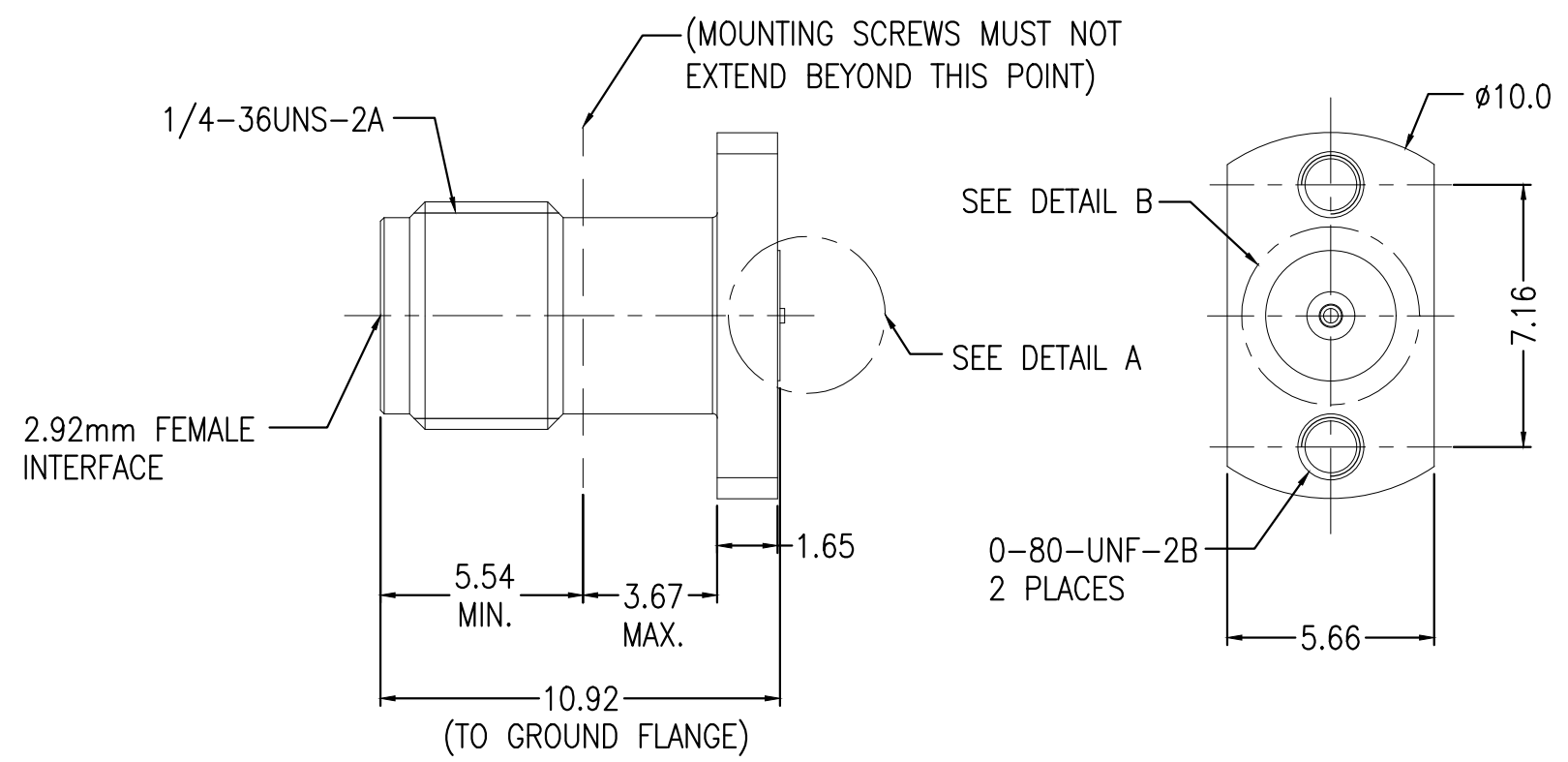


THIS DRAWING IS UNPUBLISHED. RELEASED FOR PUBLICATION  
 © COPYRIGHT - TE Connectivity Ltd. ALL RIGHTS RESERVED.

| P | LTR | DESCRIPTION              | DATE      | DWN | APVD |
|---|-----|--------------------------|-----------|-----|------|
|   | A1  | REVISE PER ECR-19-014902 | 24SEP2019 | RZ  | RS   |



- NOTES:
- 1 PACK IN ACCORDANCE WITH TE SPEC 107-3275
  - 2 ALL DIMENSIONS ARE NOMINAL FOR REFERENCE ONLY UNLESS OTHERWISE STATED

| ELECTRICAL  | MECHANICAL  | ENVIRONMENTAL                                      |
|---|---|--|
| Impedance (Ohm) <u>50</u>   | Interface Dimension MIL-STD-348B Fig. <u>323-2</u>                          | TEMPERATURE RANGE <u>-55°C TO + 125°C</u>          |
| Frequency Range (GHz) <u>DC to 40GHz</u>  | Recommended Coupling Torque <u>7 to 10 In-Lbs</u>                           | THERMAL SHOCK <u>MIL-STD-202, METH.107, COND.B</u> |
| Voltage Rating (Peak) <u>@ Sea Level 335 V RMS</u>                                    | Force to Engage and Disengage (In/Lbs) <u>2.0 MAX</u>                       | CORROSION <u>MIL-STD-202, METH.101, COND.B</u>     |
| Insulation Resistance (MIN.) <u>5000 M. ohms</u>                                      | Center Contact Captivation Axial (Lbs) <u>6.0</u> Radial (In/Oz) <u>N/A</u> | VIBRATION <u>MIL-STD-202, METH.204, COND.D</u>     |
| Contact Resistance (Milliohms MAX) Center Contact <u>3.0</u> Outer Contact <u>2.0</u> | Cable Retention Axial (Lbs) <u>N/A</u>                                      | SHOCK <u>MIL-STD-202, METH.213, COND.I</u>         |
| Dielectric Withstand Voltage: <u>500 V RMS Max</u>                                    | Mating cycles <u>500 cycles</u>   | MOISTURE RESISTANCE <u>MIL-STD-202, METH.106</u>   |
| Insertion Loss : <u>0.1*SQRT(F) dB</u>  |   | ROHS <u>COMPLIANT</u>                              |
| VSWR: <u>1.3 MAX (GHz)</u>  |   |  |
| RF leakage: <u>N/A</u>  |   |  |
| 3rd Intermodulation: <u>N/A</u>   |   |  |

| QUANTITY PER ASSY | PARTS LIST                                |
|-------------------|---|
| 1                 | PVC (BLACK) DUST CAP 4                    |
| 1                 | PASSIVATE STAINLESS STEEL OUTER CONTACT 3 |
| 1                 | PEI INSULATION 2                          |
| 1                 | Au BeCu CENTER CONTACT 1                  |
| -1                | PLATING MATERIAL DESCRIPTION ITEM         |

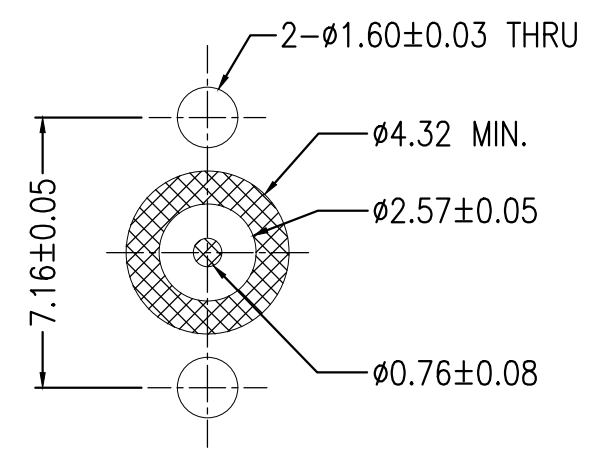
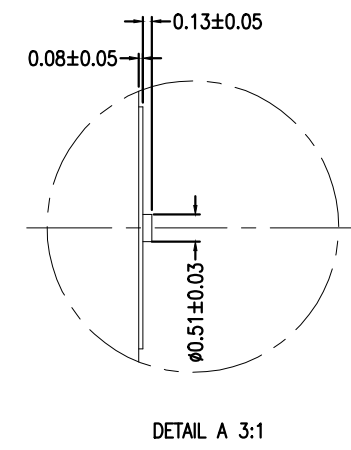
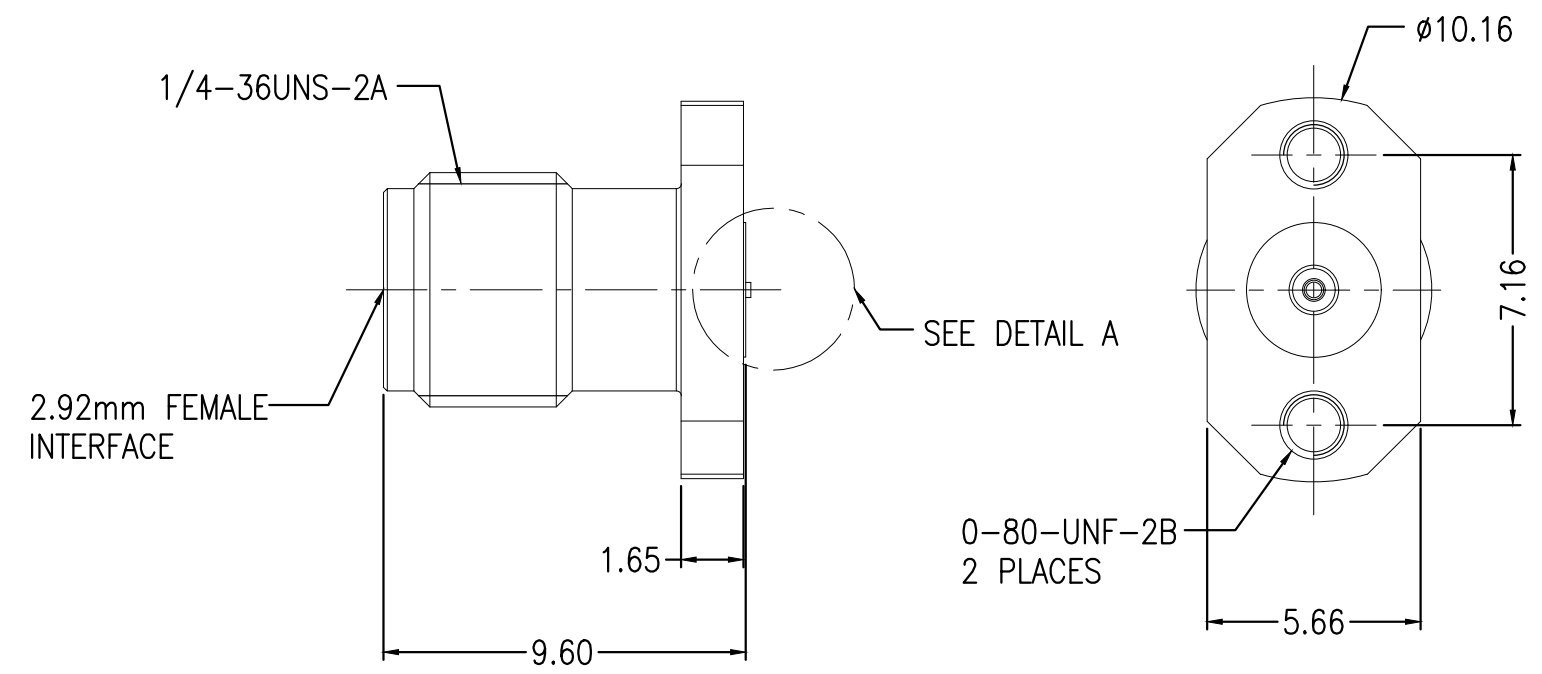
THIS DRAWING IS A CONTROLLED DOCUMENT.

|                  |           |  |
|------------------|-----------|--|
| DWN RZ           | 06MAY2019 | <br>TE Connectivity<br>NAME: 2.92mm JACK PCB RECEPTACLE          |
| CHK ED           | 06MAY2019 |  |
| APVD RS          | 06MAY2019 |  |
| PRODUCT SPEC     |           |  |
| APPLICATION SPEC |           | SIZE: A3 CAGE CODE: 00779 DRAWING NO: C-2081570 RESTRICTED TO: - |
| WEIGHT: -        |           | SCALE: 1:1 SHEET: 1 OF 2 REV: A1                                 |

CUSTOMER DRAWING

THIS DRAWING IS UNPUBLISHED. RELEASED FOR PUBLICATION  
 © COPYRIGHT - TE Connectivity Ltd. ALL RIGHTS RESERVED.

| P | LTR | DESCRIPTION | DATE | DWN | APVD |
|---|-----|-------------|------|-----|------|
| - | -   | SEE SHEET 1 | -    | -   | -    |



| ELECTRICAL  | MECHANICAL  | ENVIRONMENTAL                                      |
|---|---|--|
| Impedance (Ohm) <u>50</u>   | Interface Dimension MIL-STD-348B Fig. <u>323-2</u>                          | TEMPERATURE RANGE <u>-55°C TO + 125°C</u>          |
| Frequency Range (GHz) <u>DC to 40GHz</u>  | Recommended Coupling Torque <u>7 to 10 In-Lbs</u>                           | THERMAL SHOCK <u>MIL-STD-202, METH.107, COND.B</u> |
| Voltage Rating (Peak) <u>335 V RMS @ Sea Level</u>                                    | Force to Engage and Disengage (In/Lbs) <u>2.0 MAX</u>                       | CORROSION <u>MIL-STD-202, METH.101, COND.B</u>     |
| Insulation Resistance (MIN.) <u>5000 M ohms</u>                                       | Center Contact Captivation Axial (Lbs) <u>6.0</u> Radial (In/Oz) <u>N/A</u> | VIBRATION <u>MIL-STD-202, METH.204, COND.D</u>     |
| Contact Resistance (Milliohms MAX) Center Contact <u>3.0</u> Outer Contact <u>2.0</u> | Cable Retention Axial (Lbs) <u>N/A</u>                                      | SHOCK <u>MIL-STD-202, METH.213, COND.I</u>         |
| Dielectric Withstand Voltage: <u>500 V RMS Max</u>                                    | Mating cycles <u>500 cycles</u>   | MOISTURE RESISTANCE <u>MIL-STD-202, METH.106</u>   |
| Insertion Loss : <u>0.1*SQRT(F) dB</u>  |   | ROHS <u>COMPLIANT</u>                              |
| VSWR: <u>1.3 MAX (GHz)</u>  |   |  |
| RF leakage: <u>N/A</u>  |   |  |
| 3rd Intermodulation: <u>N/A</u>   |   |  |

| QUANTITY PER ASSY | DESCRIPTION | MATERIAL        | ITEM           |
|-------------------|-------------|-----------------|----------------|
| 1                 | PASSIVATE   | PVC (BLACK)     | DUST CAP       |
| 1                 | -           | STAINLESS STEEL | OUTER CONTACT  |
| 1                 | -           | PEI             | INSULATION     |
| 1                 | -           | Au              | CENTER CONTACT |
| -2                | PLATING     | BeCu            | DESCRIPTION    |

THIS DRAWING IS A CONTROLLED DOCUMENT.

|      |    |           |
|------|----|-----------|
| DWN  | RZ | 06MAY2019 |
| CHK  | ED | 06MAY2019 |
| APVD | RS | 06MAY2019 |

PRODUCT SPEC: -  
 APPLICATION SPEC: -  
 WEIGHT: -

**STE** TE Connectivity

NAME: 2.92mm JACK PCB RECEPTACLE

|      |           |            |               |
|------|-----------|------------|---------------|
| SIZE | CAGE CODE | DRAWING NO | RESTRICTED TO |
| A3   | 00779     | C-2081570  | -             |

CUSTOMER DRAWING SCALE: 1:1 SHEET: 2 OF 2 REV: A1