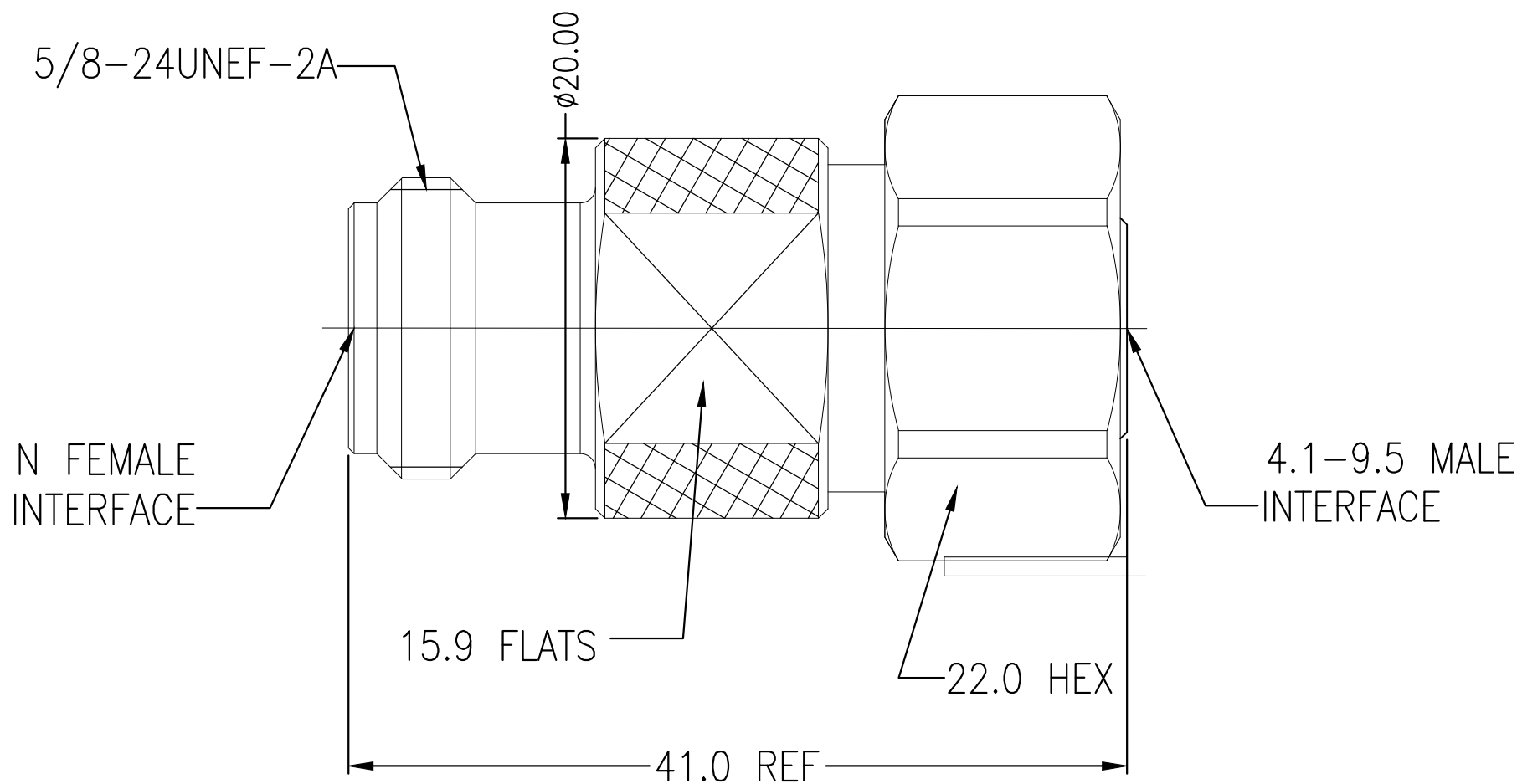


P	LTR	DESCRIPTION	DATE	DWN	APVD
	A1	ECR-18-012908	15AUG2018	RZ	RS

NOTES:

- ① PACK IN ACCORDANCE WITH TE SPEC 107-3275
- ② Ag PLATING: 200u"
- ③ CuSnZn PLATING: 80u"
- ④ ALL DIMENSIONS ARE NOMINAL FOR REFERENCE ONLY UNLESS OTHERWISE STATED



ELECTRICAL	MECHANICAL	ENVIRONMENTAL
Frequency Range (GHz) DC to 8GHz	Recommended Mating force or Torque 10 N.m (4.1/9.5)	Temperature Rating -40°C TO +85°C
Voltage Rating (Peak) @ Sea Level 500 VAC RMS	Mating cycles 500 cycles	
Insulation Resistance (MIN.) 5000 M ohms		
Contact Resistance (Milliohms MAX) Center Contact 2.5 Outer Contact 0.25	VSWR: 1.15 Max @ DC--6 GHz 1.20 Max @ 6--8 GHz	
Dielectric Withstand Voltage: 1000 Volts RMS Max	RF-Leakage: N/A	
Insertion Loss : 0.05√F(GHz) dB	Intermodulation: -166dBc @ 2x43 dBm 900MHZ/1800MHZ	

THIS DRAWING IS A CONTROLLED DOCUMENT.

DIMENSIONS:	TOLERANCES UNLESS OTHERWISE SPECIFIED:
mm	
	0 PLC ± -
	1 PLC ± 0.2
	2 PLC ± 0.1
	3 PLC ± -
	4 PLC ± -
	ANGLES ± -
MATERIAL	FINISH
SEE TABLE	-

DWN	RZ	05 JUN 2018
CHK	BW	05 JUN 2018
APVD	RS	05 JUN 2018
PRODUCT SPEC	-	-
APPLICATION SPEC	-	-
WEIGHT	0.000000	-
CUSTOMER DRAWING		

QUANTITY PER ASSY	MATERIAL	DESCRIPTION	ITEM
2	PVC (BLACK)	DUST CAP	5
1	BRASS	NUT	4
1	PTFE	INSULATION	3
1	BeCu	CENTER CONTACT	2
1	BRASS	BODY	1
-1			

STE TE Connectivity			
NAME ADAPTER N FEMALE TO 4.1/9.5 MALE			
SIZE	CAGE CODE	DRAWING NO	RESTRICTED TO
A3	00779	C-2081553	-
SCALE 3:1		SHEET 1 OF 1	REV A1