

THIS DRAWING IS UNPUBLISHED.

RELEASED FOR PUBLICATION AUGUST , 2006.

REVISIONS

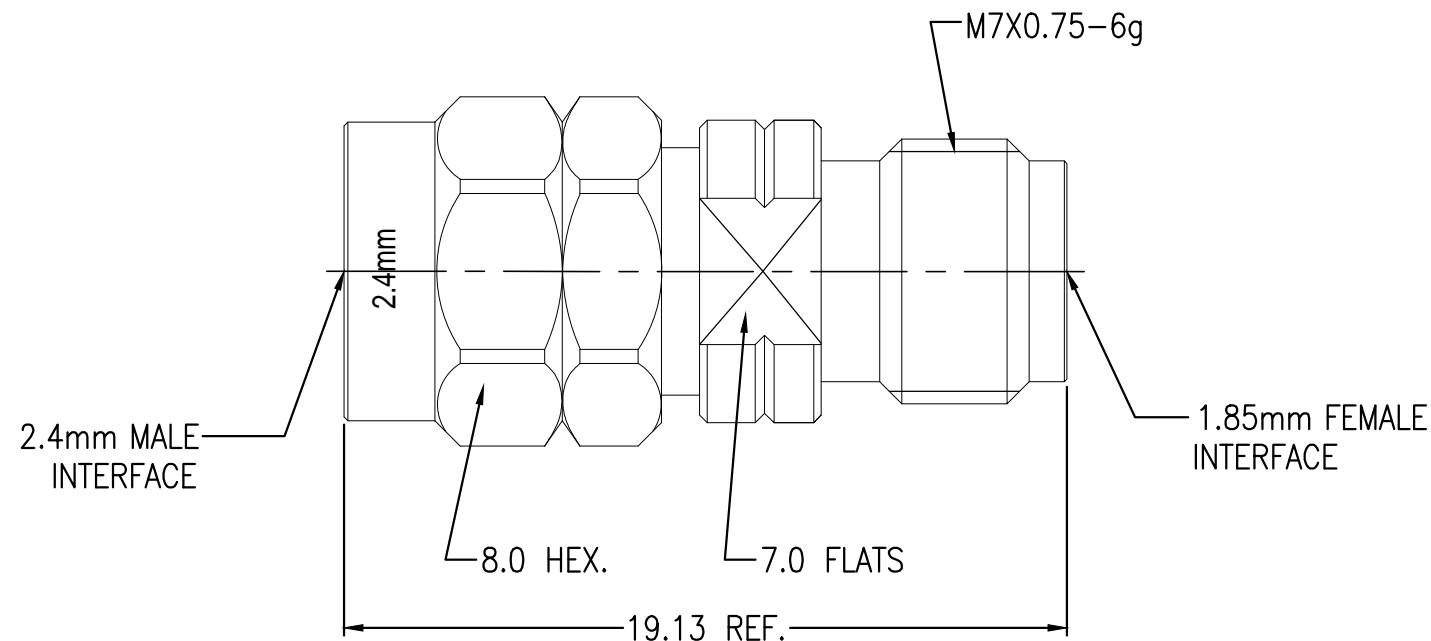
© COPYRIGHT 2006 By -

ALL RIGHTS RESERVED.

P	LTR	DESCRIPTION	DATE	DWN	APVD
	A1	ECR-18-012908	15AUG2018	RZ	RS

NOTES:

- ① PACK IN ACCORDANCE WITH TE SPEC 107-3275
- ② Au PLATING: 50u"
- ③ Passivation
- ④ ALL DIMENSIONS ARE NOMINAL FOR REFERENCE ONLY UNLESS OTHERWISE STATED



ELECTRICAL	MECHANICAL	ENVIRONMENTAL
Frequency Range (GHz) DC to 50GHz	Recommended Mating force or Torque 0.9 N.m	Temperature Rating -40°C TO +85°C
Voltage Rating (Peak) @ Sea Level 335 VAC RMS	Mating cycles 500 cycles	
Insulation Resistance (MIN.) 5000 M ohms		
Contact Resistance (Milliohms MAX) Center Contact 3 Outer Contact 2	VSWR: 1.15 Max @ DC--40 GHz 1.20 Max @ 40--50 GHz	
Dielectric Withstand Voltage: 500 Volts RMS Max	RF-Leakage: N/A	
Insertion Loss : 0.05√F(GHz) dB	Intermodulation: N/A	

THIS DRAWING IS A CONTROLLED DOCUMENT.		DWN RZ 05 JUN 2018	2 PVC (BLACK)		DUST CAP	5
DIMENSIONS: mm		CHK BW 05 JUN 2018	1 STEEL		NUT	4
TOLERANCES UNLESS OTHERWISE SPECIFIED:		APVD RS 05 JUN 2018	1 PEI		INSULATION	3
0 PLC ± -		PRODUCT SPEC	1 BeCu		CENTER CONTACT	2
1 PLC ± 0.2		APPLICATION SPEC	1 STEEL		SHELL	1
2 PLC ± 0.1		WEIGHT 0.000000	-1 MATERIAL		DESCRIPTION	ITEM
3 PLC ± -		CUSTOMER DRAWING	①			
4 PLC ± -		SCALE 5:1	SHEET 1 OF 1		REV A1	
ANGLES ± -						
FINISH -						
MATERIAL SEE TABLE						

STE		TE Connectivity	
NAME ADAPTER 2.4mm MALE TO 1.85mm FEMALE			
SIZE	CAGE CODE	DRAWING NO	RESTRICTED TO
A3	00779	C-2081552	-