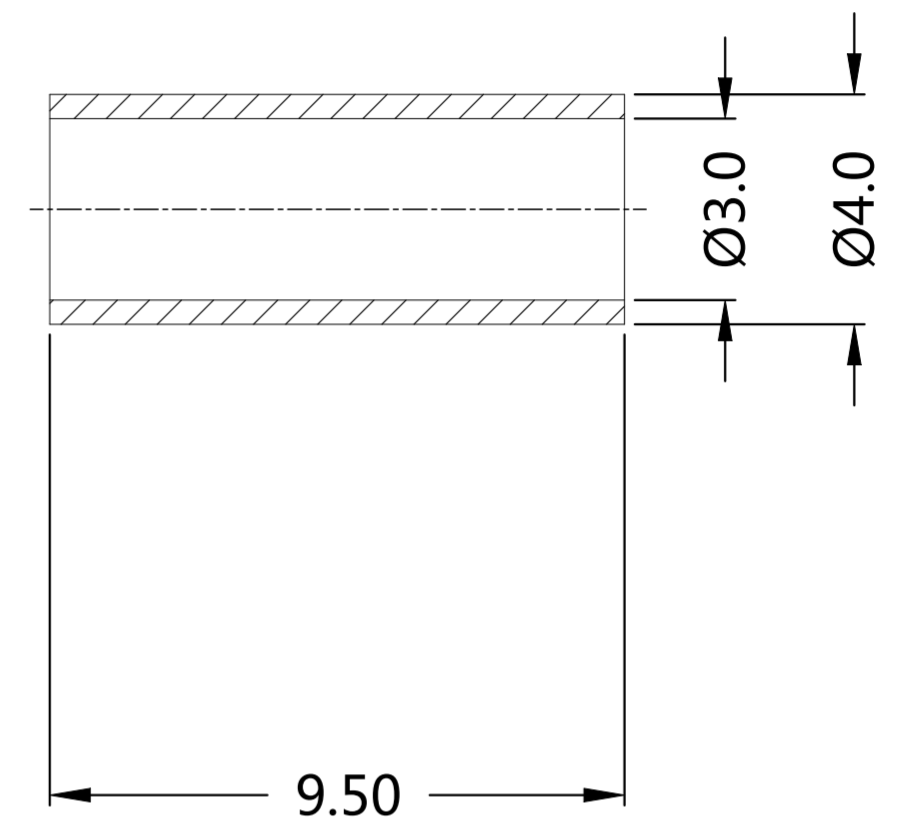
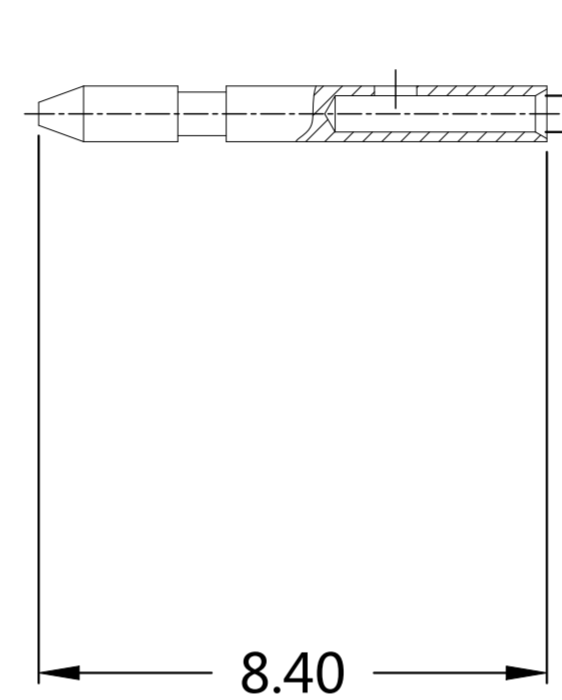
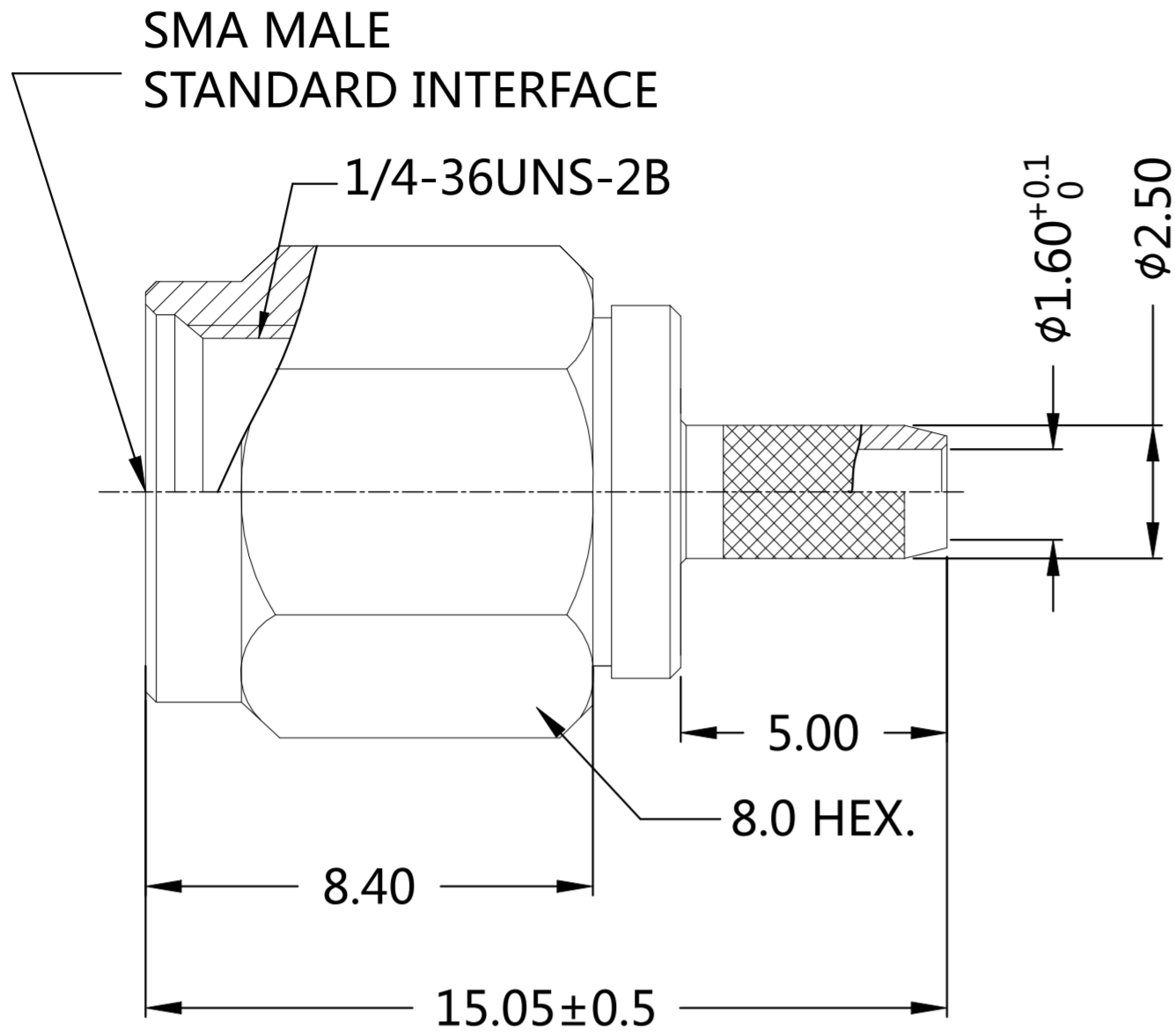
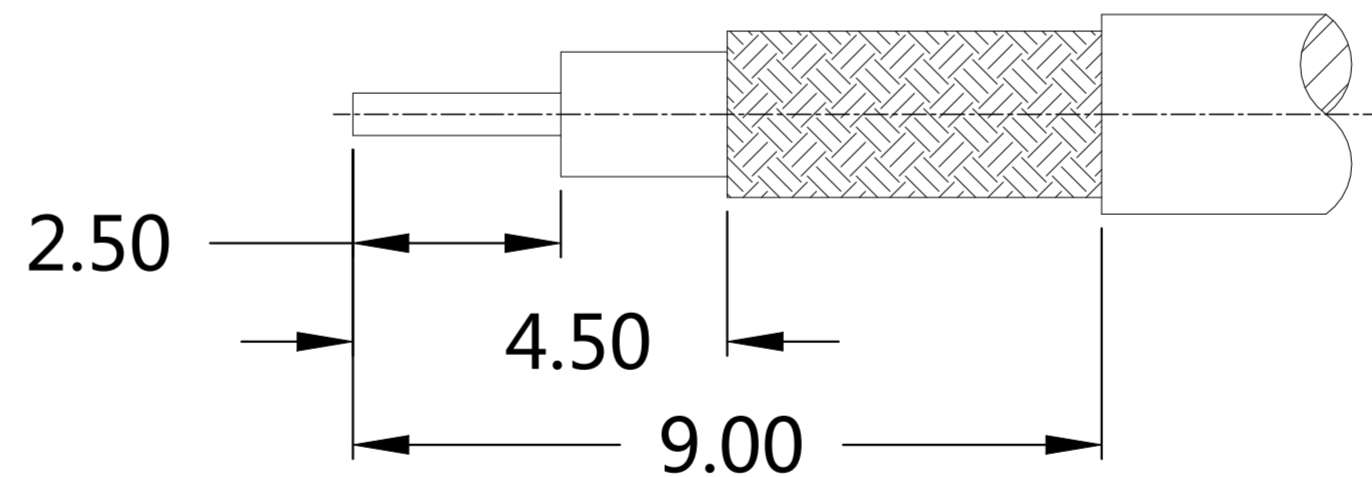


REVISIONS					
P	LTR	DESCRIPTION	DATE	DWN	APVD
A		Go to production	01SEP2022	ED	WH



- NOTES:**
- 1 PACK IN ACCORDANCE WITH TE SPEC 107-3275;
 - 2 ALL DIMENSIONS ARE NOMINAL FOR REFERENCE ONLY UNLESS OTHERWISE STATED;
 - 3 CRIMPED FERRULE HEX. CRIMP SIZE .136";
 - 4 CONTACT PIN TO SOLDER.



RECOMMENDED CABLE STRIPPING DIM'S

ELECTRICAL	MECHANICAL	ENVIRONMENTAL
Impedance (Ohm) _____50	Interface Dimension MIL-STD-348B Fig. _____310-2	TEMPERATURE RANGE _____ -55° - +125°
Frequency Range (GHz) _____DC to 6GHz	Recommended Coupling Torque _____7 to 10 In-Lbs	THERMAL SHOCK _____MIL-STD-202, METH.107, COND.B
Voltage Rating (Peak) _____@ Sea Level 335 V RMS	Force to Engage and Disengage (In/lbs) _____2.0 MAX	CORROSION _____MIL-STD-202, METH.101, COND.B
Insulation Resistance (MIN.) _____5000 M ohms	Center Contact Captivation Axial (Lbs) _____N/A Radial (In/Oz) _____N/A	VIBRATION _____MIL-STD-202, METH.204, COND.D
Contact Resistance (Milliohms MAX) Center Contact _____3.0 Outer Contact _____2.0	Cable Retention Axial (Lbs) _____N/A	SHOCK _____MIL-STD-202, METH.213, COND.I
Dielectric Withstand Voltage: _____750 V RMS Max	Mating cycles _____500 cycles	MOISTURE RESISTANCE _____MIL-STD-202, METH.106.
Insertion Loss : _____ACCORDING AS THE CABLE		ROHS _____COMPLIANT
YSWR: _____1.3 MAX(DC-6GHz)		
RF leakage: _____N/A		
3rd Intermodulation: _____N/A		

QUANTITY PER ASSY	PARTS LIST
1	/ STAINLESS STEEL C RING 6
1	GOLD 3u"/NICKEL BRASS FERRULE 5
1	/ SILICONE GASKET 4
1	/ PTFE INSULATOR 3
1	GOLD 30u"/NICKEL/COPPER BRASS CENTER CONTACT 2
1	GOLD 3u"/NICKEL STAINLESS STEEL BODY/SHELL 1
2081365-1	PLATING MATERIAL DESCRIPTION ITEM

THIS DRAWING IS A CONTROLLED DOCUMENT.

DWN	ED	12JUN2022
CHK	RZ	12JUN2022
APVD	WH	12JUN2022

TE Connectivity

SMA, PLUG, 6GHz, STRAIGHT, CRIMP, MATCH WITH RG316 CABLE

SIZE	A2	CAGE CODE	00779	DRAWING NO	C=2081365	RESTRICTED TO	-
WEIGHT	0	SCALE	8:1	SHEET	1 of 1	REV	A

CUSTOMER DRAWING

2081365