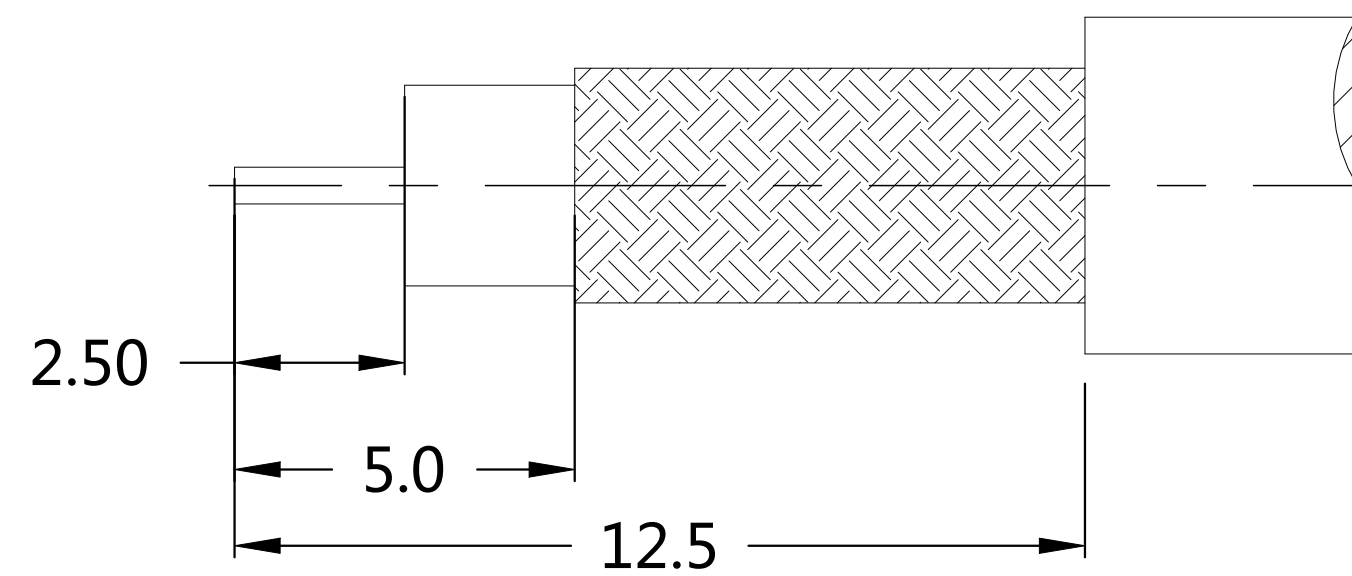
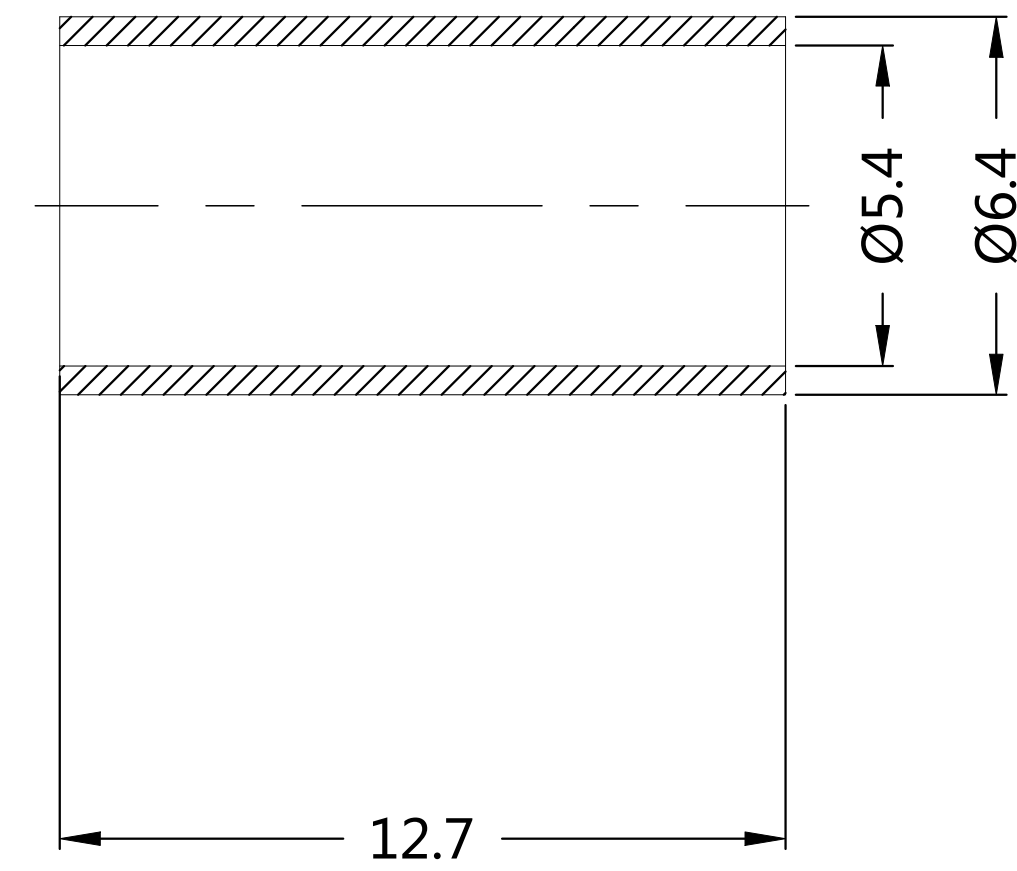
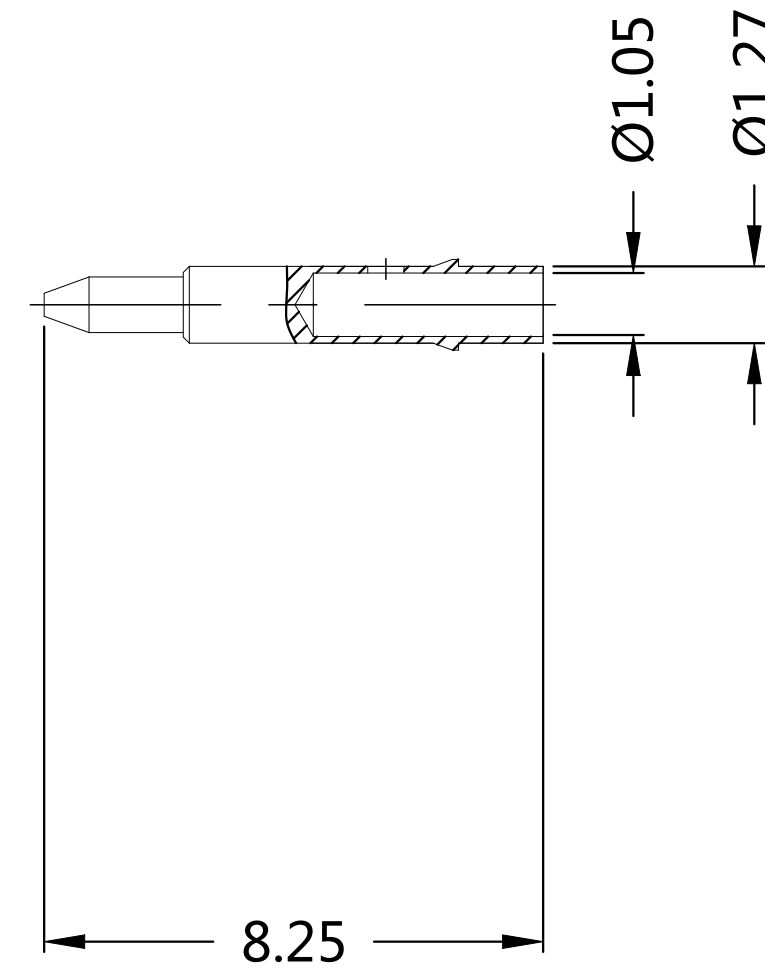
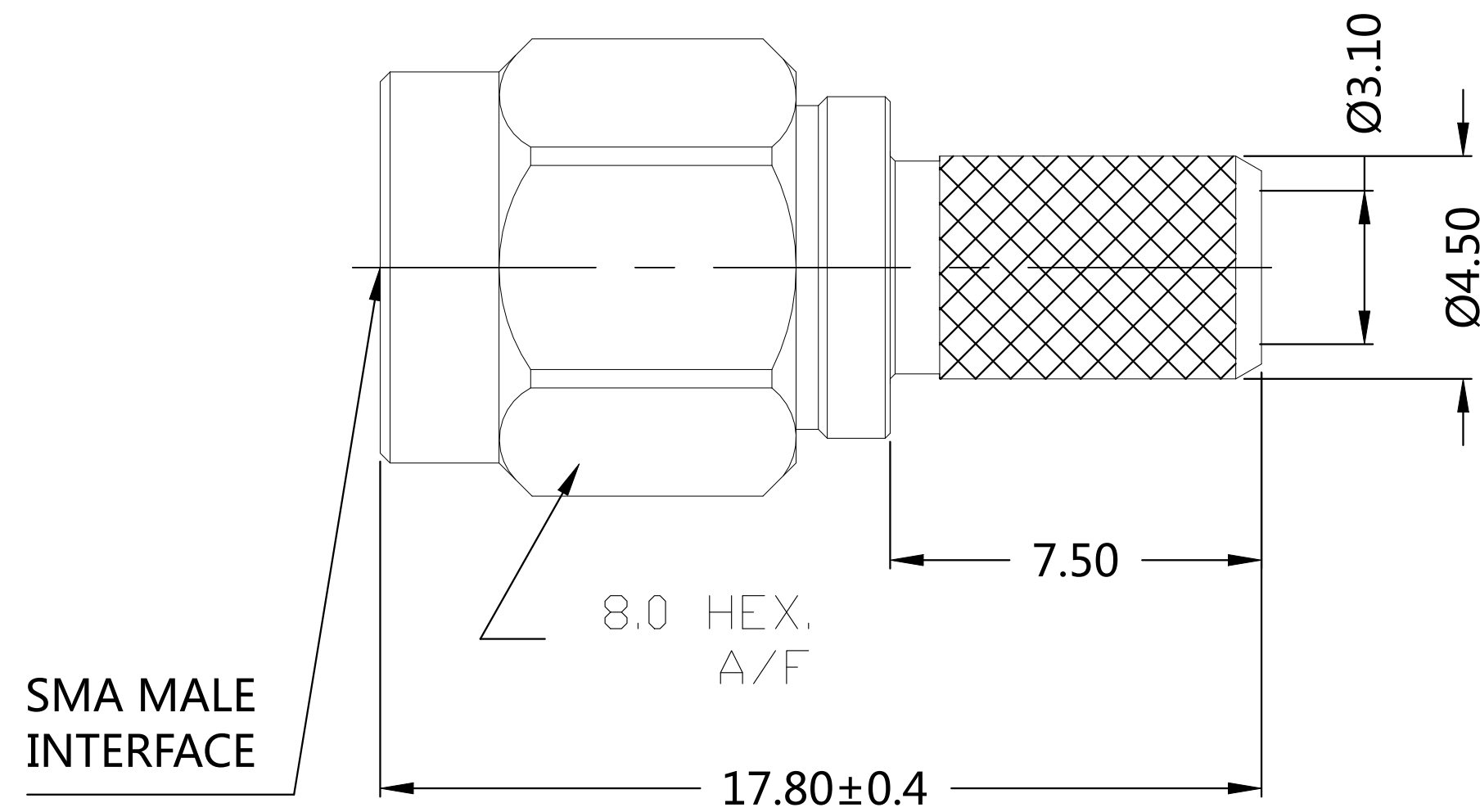


P	LTR	DESCRIPTION	DATE	DWN	APVD
A		Go to production	01SEP2022	ED	WH



- NOTES:**
- 1 PACK IN ACCORDANCE WITH TE SPEC 107-3275;
  - 2 ALL DIMENSIONS ARE NOMINAL FOR REFERENCE ONLY UNLESS OTHERWISE STATED;
  - 3 CRIMPED FERRULE HEX. CRIMP SIZE .216";
  - 4 CONTACT PIN TO SOLDER.

ELECTRICAL	MECHANICAL	ENVIRONMENTAL
Impedance (Ohm) _____50	Interface Dimension MIL-STD-348B Fig. _____310-2	TEMPERATURE RANGE _____ -55° - +125°
Frequency Range (GHz) _____DC to 6GHz	Recommended Coupling Torque _____7 to 10 In-Lbs	THERMAL SHOCK _____MIL-STD-202, METH.107, COND.B
Voltage Rating (Peak) _____@ Sea Level 335 V RMS	Force to Engage and Disengage (In/lbs) _____2.0 MAX	CORROSION _____MIL-STD-202, METH.101, COND.B
Insulation Resistance (MIN.) _____5000 M ohms	Center Contact Captivation Axial (Lbs) _____N/A Radial (In/Oz) _____N/A	VIBRATION _____MIL-STD-202, METH.204, COND.D
Contact Resistance (Milliohms MAX) Center Contact _____3.0 Outer Contact _____2.0	Cable Retention Axial (Lbs) _____N/A	SHOCK _____MIL-STD-202, METH.213, COND.I
Dielectric Withstand Voltage: _____750 V RMS Max	Mating cycles _____500 cycles	MOISTURE RESISTANCE _____MIL-STD-202, METH.106.
Insertion Loss : _____ACCORDING AS THE CABLE		ROHS _____COMPLIANT
VSWR: _____1.3 MAX(DC-6GHz)		
RF leakage: _____N/A		
3rd Intermodulation: _____N/A		

QUANTITY PER ASSY	PARTS LIST
1	/ STAINLESS STEEL C RING 6
1	GOLD 3u"/NICKEL BRASS FERRULE 5
1	/ SILICONE GASKET 4
1	/ PTFE INSULATOR 3
1	GOLD 30u"/NICKEL/COPPER BRASS CENTER CONTACT 2
1	GOLD 3u"/NICKEL STAINLESS STEEL BODY/SHELL 1
2081364-1	PLATING MATERIAL DESCRIPTION ITEM

THIS DRAWING IS A CONTROLLED DOCUMENT.

DWN ED 12JUN2022	TE Connectivity SMA, PLUG, 6GHz, STRAIGHT, CRIMP, MATCH WITH RG58 CABLE
CHK RZ 12JUN2022	
APVD WH 12JUN2022	
PRODUCT SPEC	
MATERIAL SEE TABLE	SIZE A2 CAGE CODE 00779 DRAWING NO C=2081364 RESTRICTED TO WEIGHT 0 SCALE 8:1 SHEET 1 OF 1 REV A CUSTOMER DRAWING