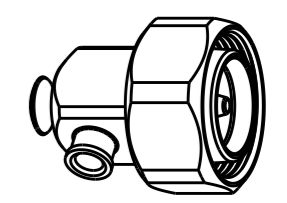
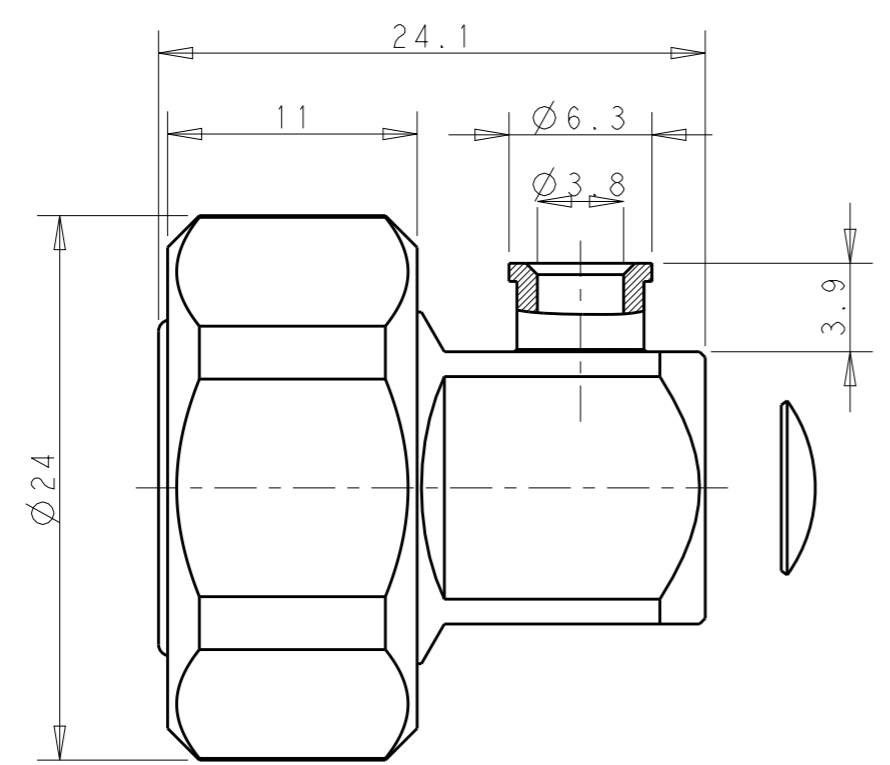
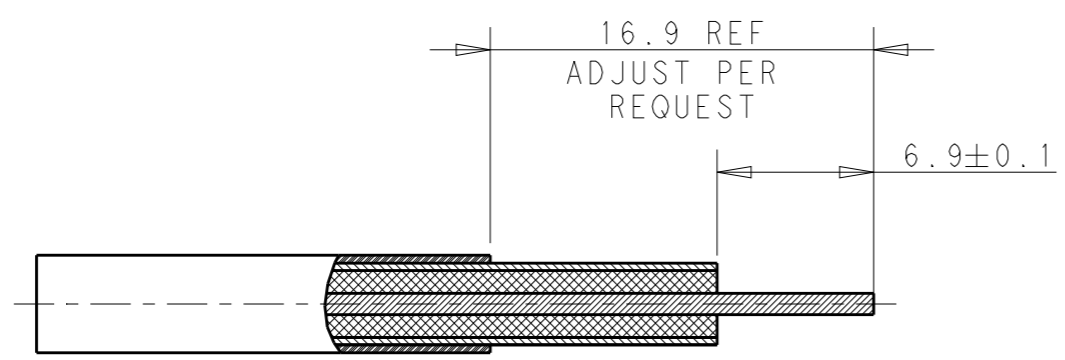
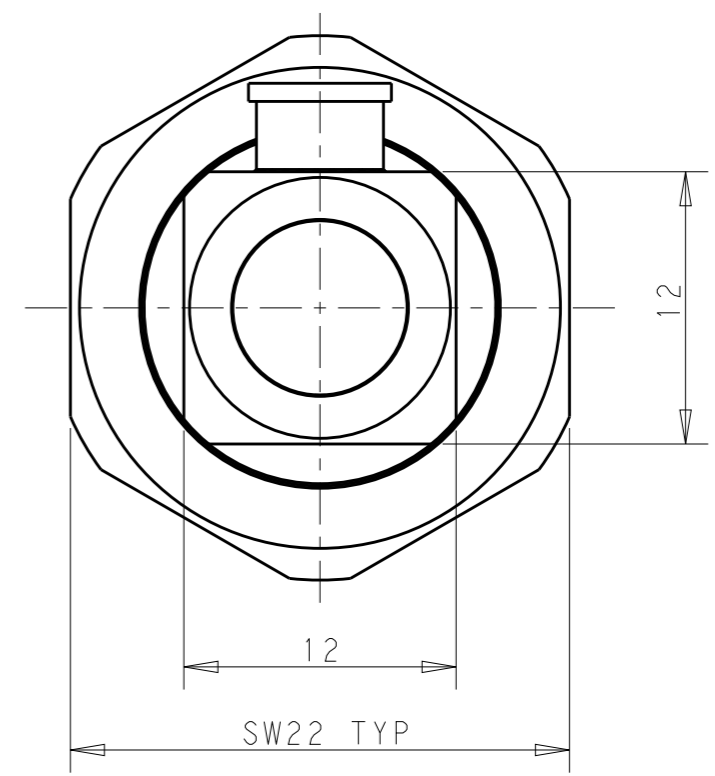


THIS DRAWING IS UNPUBLISHED. RELEASED FOR PUBLICATION 20  
 © COPYRIGHT 20 BY - ALL RIGHTS RESERVED.

REVISIONS				
P	LTR	DESCRIPTION	DATE	APVD


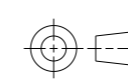


SCALE 1:1



RECOMMENDED CABLE DIMENSION

CuSnZn	BRASS	REAR CAP	2081295-1
CuSnZn	BRASS	SOLDER SLEEVE	
Ni	BRASS	COUPLING NUT	
N/A	RUBBER	O-RING	
N/A	PTFE	DIELECTRIC	
CuSnZn	BRASS	OUTER CONTACT	
Ag	BRASS	CENTER CONTACT	
PLATING	MATERIAL	ITEM	P/N

THIS DRAWING IS A CONTROLLED DOCUMENT.		DWN B. WONG 02-Dec-15	 TE Connectivity		
DIMENSIONS: mm		CHK R. SONG 02-Dec-15			NAME ASSEMBLY, PLUG RA, SCREW FOR 141 CABLE
		APVD R. SONG 02-Dec-15			
TOLERANCES UNLESS OTHERWISE SPECIFIED:		PRODUCT SPEC	RESTRICTED TO		
0 PLC ±- 1 PLC ±- 2 PLC ±- 3 PLC ±- 4 PLC ±- ANGLES ±-		APPLICATION SPEC	SIZE	CAGE CODE	DRAWING NO
MATERIAL		WEIGHT	A300779	C=2081295	
FINISH		CUSTOMER DRAWING	SCALE 3:1	SHEET 1 OF 2	REV 1

P	LTR	DESCRIPTION	DATE	DWN	APVD

NOTES;


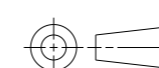
1. TOLERANCES ON ALL DIMENSIONS ACCORDING TO ISO 2768 m-H FOR UNLESS OTHERWISE SPECIFIED
2. INTERFACE ACCORDING TO IEC61169-54.
3. ELECTRICAL CHARACTERISTICS
 

IMPEDENCE : 50 Ohm  
 FREQUENCY RANGE: DC TO 6 GHz  
 RETURN LOSS:  
                       >=39 dB@ DC to 1 GHz  
                       >=30 dB@ 1 GHz to 2.2 GHz  
                       >=28 dB@ 2.2 GHz to 2.7 GHz  
                       >=22 dB@ 2.7 GHz to 6.0 GHz

INSERTION LOSS: <=0.05 x SQRT(f[GHz]) dB  
 INSULATION RESISTANCE: >=5000 MOhm  
 CENTER CONTACT RESISTANCE: <=1.0 MOhm  
 OUTER CONTACT RESISTANCE: <=1.0 MOhm  
 TEST VOLTAGE: 2500 Vrms  
 WORKING VOLTAGE: 500 Vrms  
 POWER HANDLING(AT 90°C, ALTITUDE 3000m): 500 W @ 2 GHz  
 INTERMODULATION(3rd ORDER):>=160 dBc (2 x 46 dBm) @ 0.4-4.0 GHz
4. MECHANICAL CHARACTERISTICS
 

MATING CYCLES: >=100  
 CENTER CONTACT CAPTIVATION: AXIAL >30N  
                                   RADIAL >5Ncm  
 CENTER CONTACT RETENTION FORCE 1.5-20N  
 OUTER CONTACT RETENTION FORCE 4-35N  
 RECOMMENDED TORQUE 5Nm
5. ENVIRONMENTAL CHARACTERISTICS
 

TEMPERATURE RANGE: -45 °C TO +85 °C OPERATING TEMPERATURE  
 THERMAL SHOCK: IEC 61169-1 9.4.4  
 CORROSION RESISTANCE: IEC 61169-1 9.4.10  
 VIBRATION: IEC 61169-1 9.3.3  
 SHOCK: IEC 61169-1 9.3.14  
 DEGREE OF PROTECTION (MATED PAIR): IEC 61169-1 9.4.7, IP68(2h / 1.5m)  
 ROHS: COMPLIANT
6. SUITABLE CABLES:  
 UT 141 OR RTK-FS 141
7. DUST-PREVENTING CAP WAS ON FOR FINAL ASSEMBLY.

THIS DRAWING IS A CONTROLLED DOCUMENT.		DWN B. WONG 02-Dec-15	 TE Connectivity			
DIMENSIONS: mm		CHK R. SONG 02-Dec-15	NAME ASSEMBLY, PLUG RA, SCREW FOR 141 CABLE			
		APVD R. SONG 02-Dec-15			RESTRICTED TO	
		PRODUCT SPEC -				
TOLERANCES UNLESS OTHERWISE SPECIFIED: 0 PLC ±: 1 PLC ±: 2 PLC ±: 3 PLC ±: 4 PLC ±: ANGLES ±:		APPLICATION SPEC -	SIZE A3	CAGE CODE 00779	DRAWING NO G-2081295	
MATERIAL -		FINISH -	WEIGHT -	SCALE 3:1 SHEET 2 OF 2 REV 1		
CUSTOMER DRAWING						