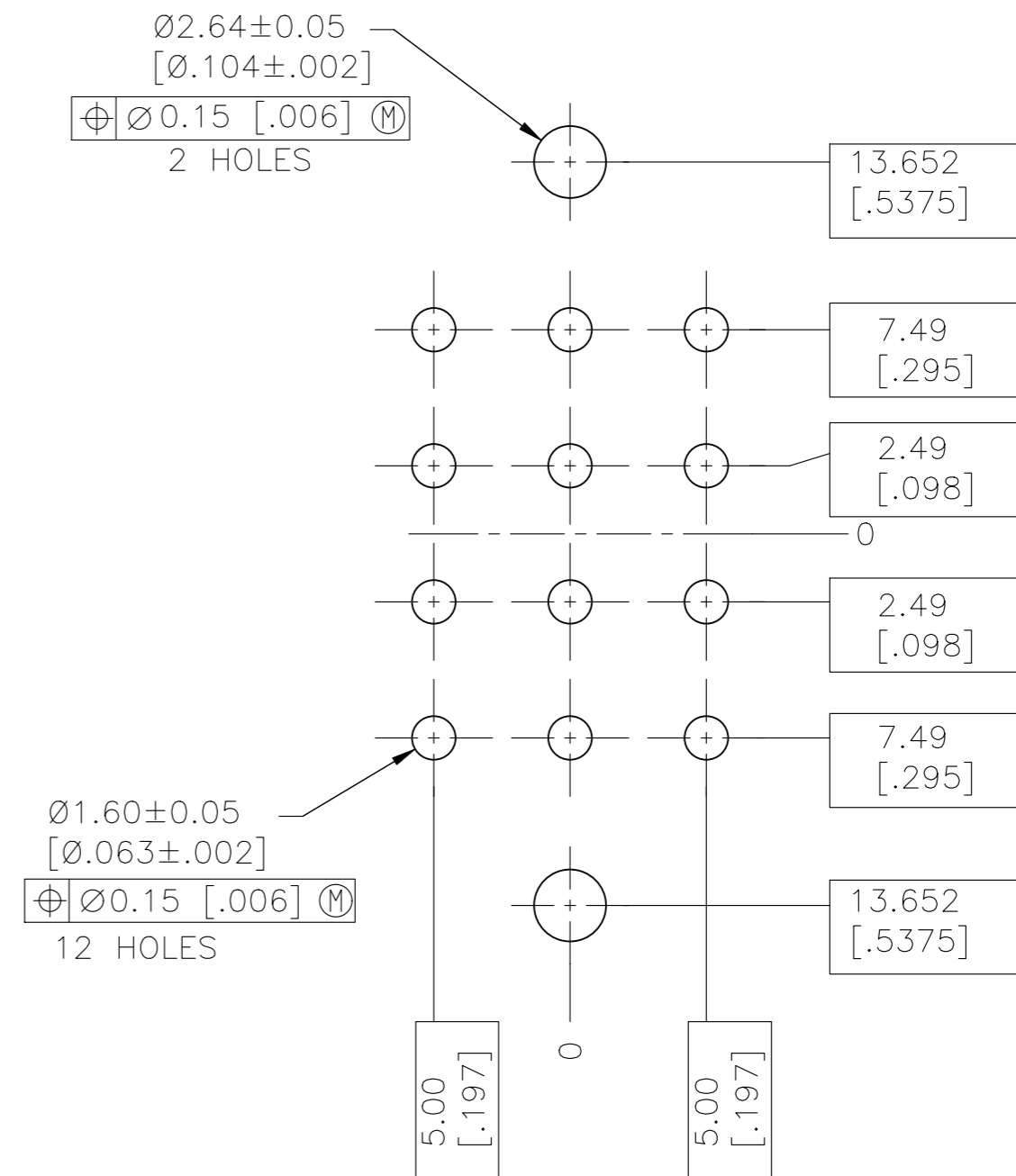
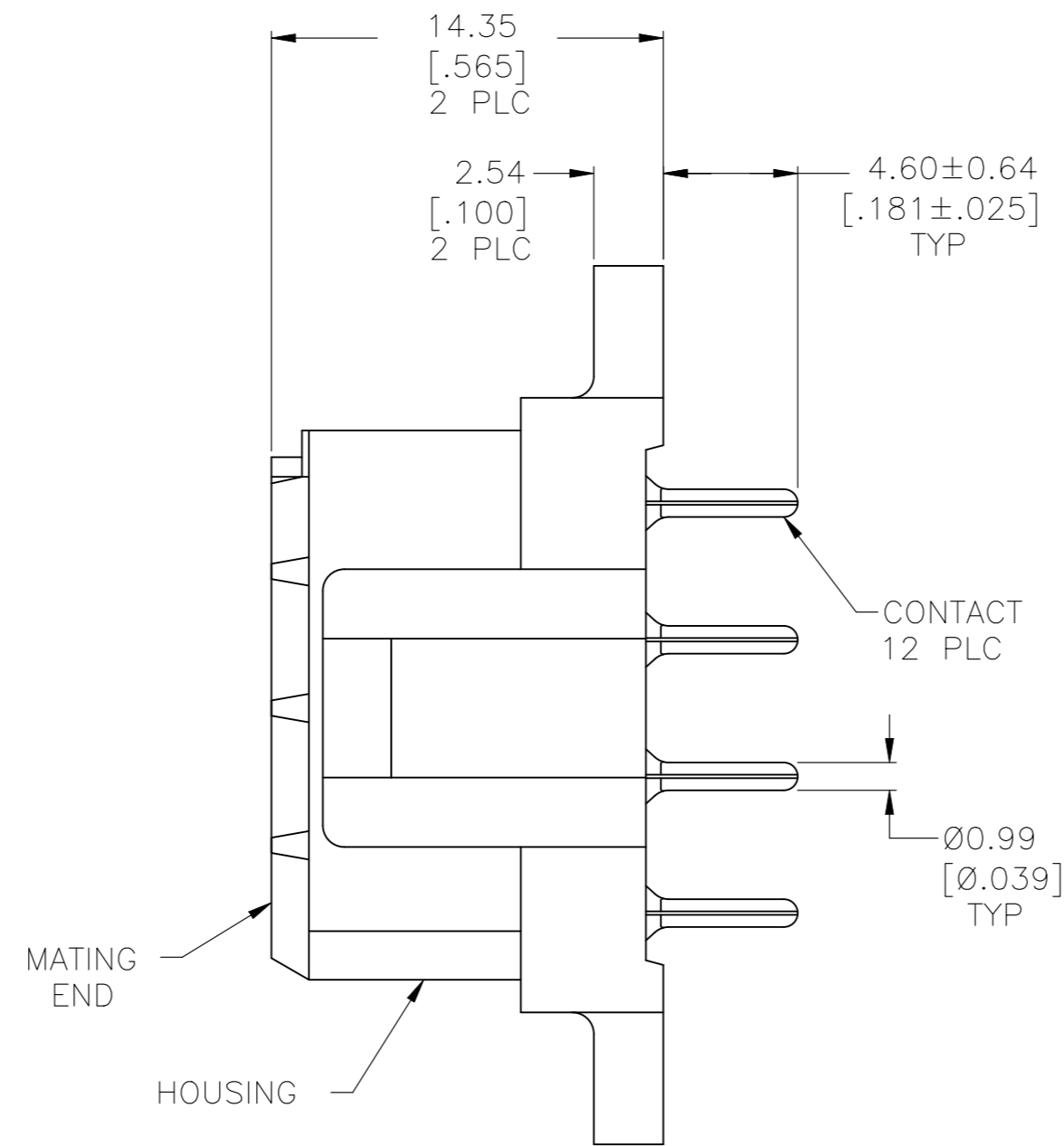
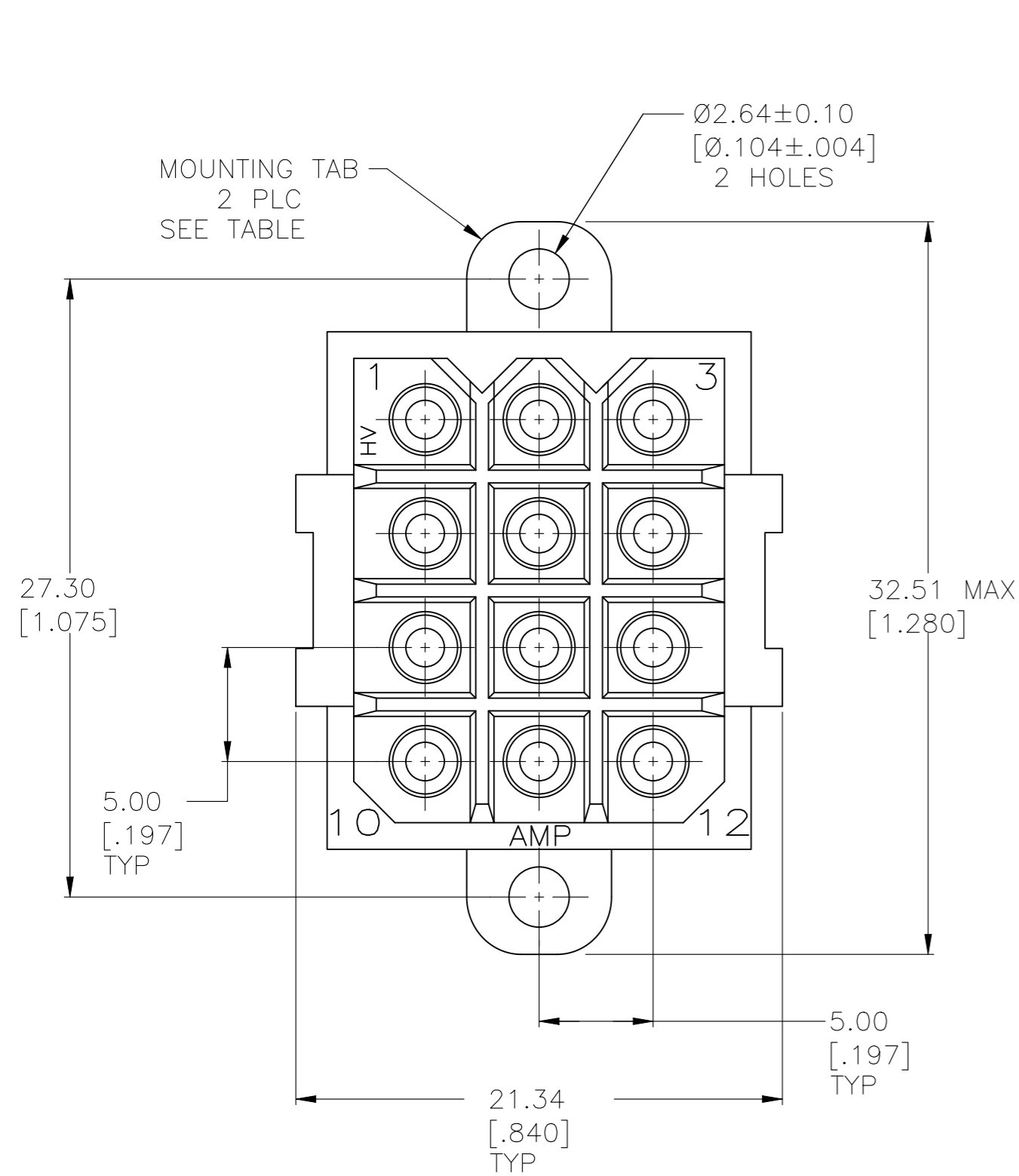


REVISIONS					
P	LTR	DESCRIPTION	DATE	DWN	APVD
R		REVISED PER ECR-24-213594	01JUL2024	RK	FJS



RECOMMENDED LAYOUT

- 1 HOUSING MATERIAL: PA66, BLACK, UL 94 V-0 RATED
- 2 CONTACT MATERIAL: PHOSPHOR BRONZE.
- ③ 3.81um [.000150] MIN TIN-LEAD OVER 1.27um [.000050] MIN NICKEL.
- ④ 0.76um [.000030] MIN GOLD FOR A LENGTH OF 4.95 [.195] MIN FROM MATING END, 3.81um [.000150] MIN TIN-LEAD FOR A LENGTH OF 4.88 [.192] MIN ON OPPOSITE END, BOTH OVER 1.27um [.000050] MIN NICKEL.
- ⑤ .000150 MIN TIN OVER .000050 MIN NICKEL.
- ⑥ 0.76um [.000030] MIN PRECIOUS METAL PLATE FOR A LENGTH OF 4.95 [.195] MIN FROM MATING END, 3.81um [.000150] MIN TIN FOR A LENGTH OF 4.88 [.192] MIN ON OPPOSITE END, BOTH OVER 1.27um [.000050] MIN NICKEL.

⑥	NO	1-207528-0
⑥	YES	207528-9
⑤	NO	207528-8
⑤	YES	207528-7
OBSOLETE	NO	207528-4
OBSOLETE	YES	207528-3
OBSOLETE	NO	207528-2
OBSOLETE	YES	207528-1
	CONTACT FINISH	MOUNTING TABS
		PART NO

THIS DRAWING IS A CONTROLLED DOCUMENT.		DWN	03/19/92	TE Connectivity	
		CHK	3-25-92	SOCKET HEADER ASSEMBLY, 12 POSITION, METRIMATE	
		APVD	3-25-92	DRAWING NO	
		PRODUCT SPEC	108-10033	CAGE CODE	
		APPLICATION SPEC		DRAWING NO	
		WEIGHT	-	RESTRICTED TO	
MATERIAL		FINISH		SCALE	
SEE NOTE		CONTACT: SEE TABLE		4:1	
		CUSTOMER DRAWING		SHEET	
				1 OF 1	
				REV	
				R	