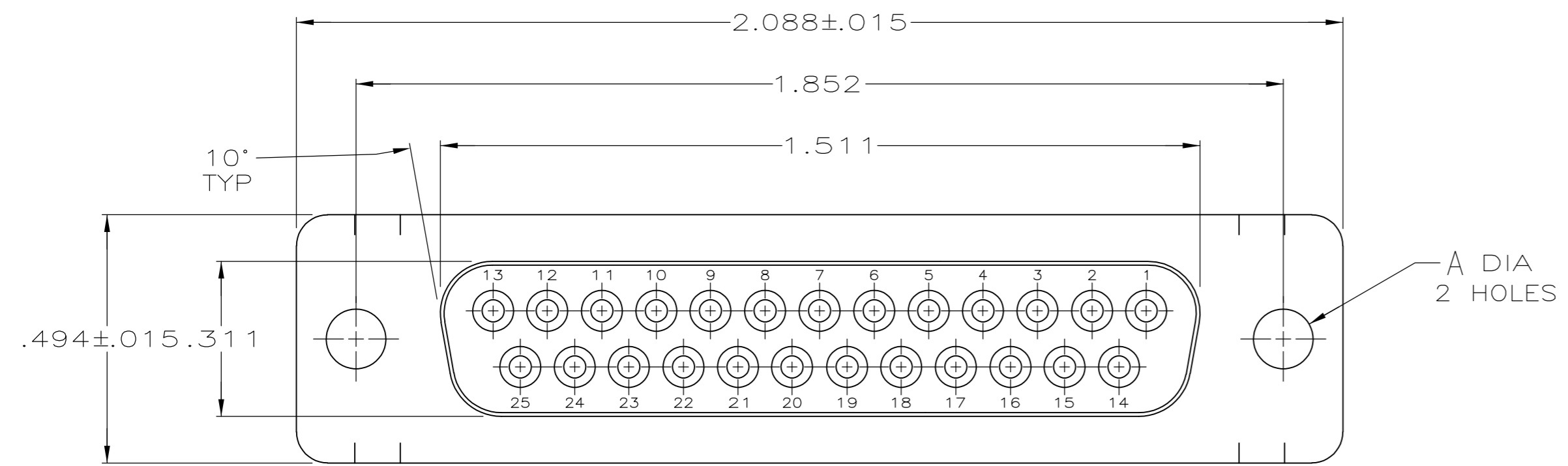
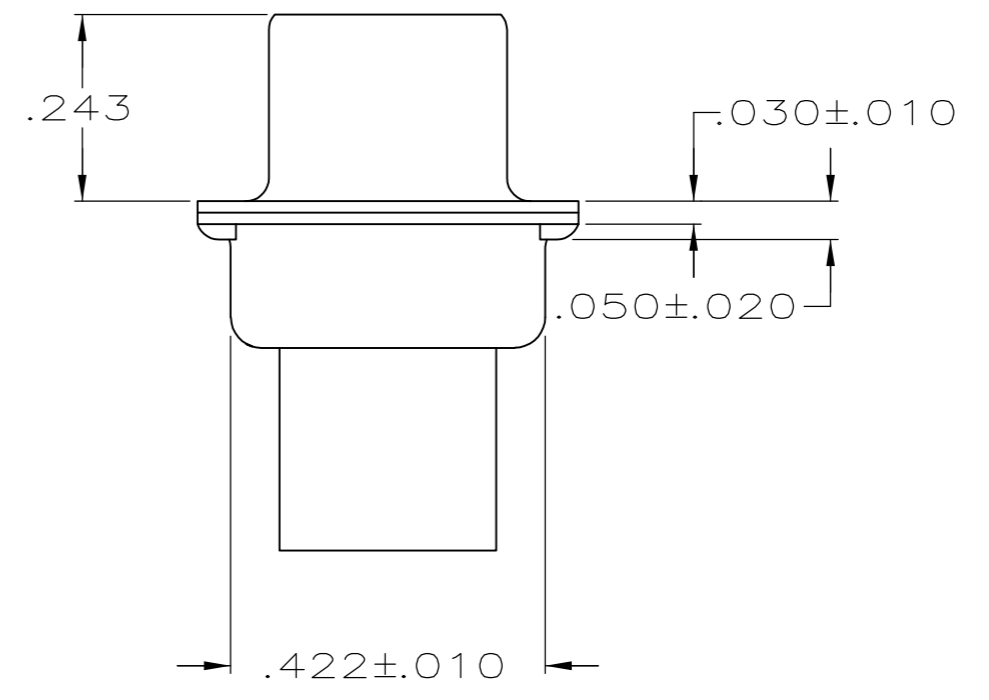
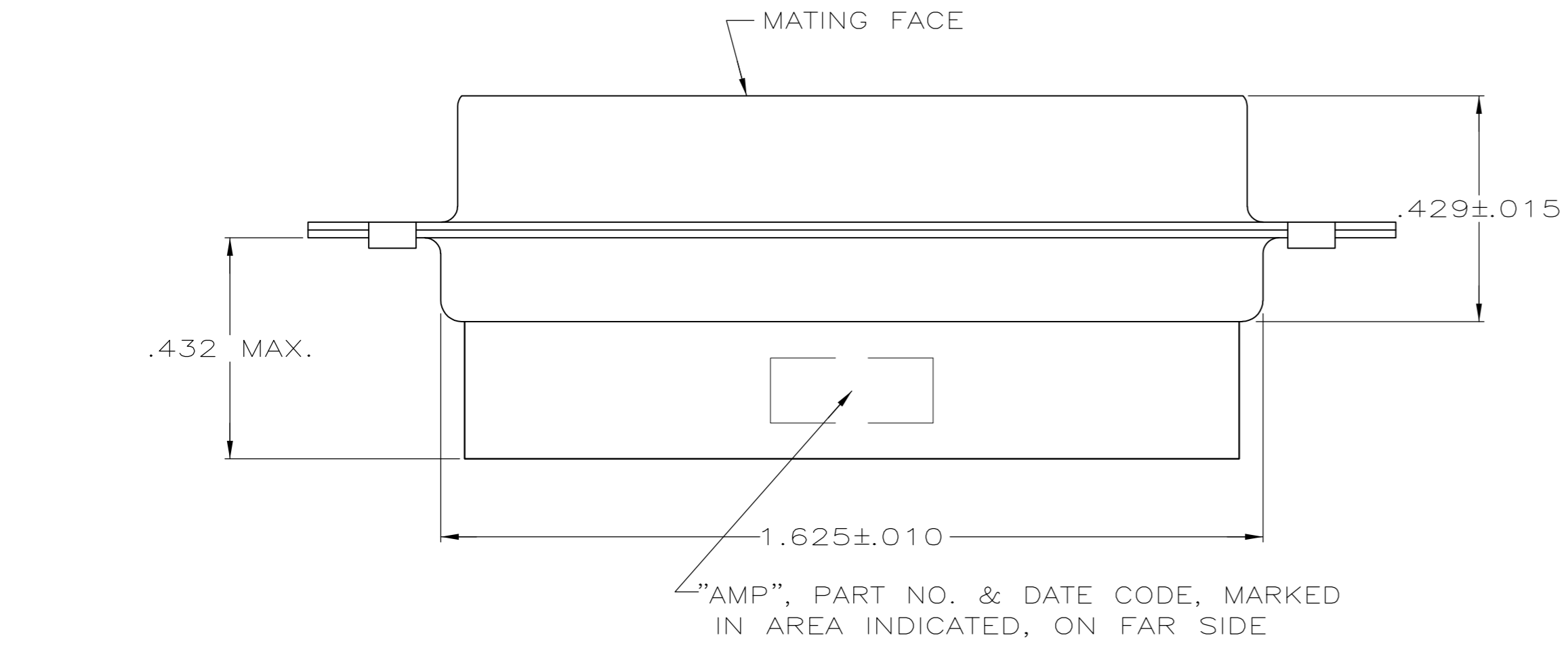


THIS DRAWING IS UNPUBLISHED. RELEASED FOR PUBLICATION
 © COPYRIGHT - By - ALL RIGHTS RESERVED.

LOC		DIST		REVISIONS			
P	LTR	DESCRIPTION		DATE	DWN	APVD	
GP	00	E		REVISED PER ECO-14-011808	09AUG2014	AP	SB



A DIA
2 HOLES



- CONNECTOR ACCEPTS SIZE 20 DF SOCKET CONTACTS, RETENTION TINES ARE AN INTEGRAL PART OF INSERT.
- CONNECTOR COMPLIES WITH 108-40005 WHERE APPLICABLE.
- GLASS-FILLED PBT OR GLASS-FILLED NYLON, UL94V-0 RATED. COLOR: BLACK
- STEEL PER ASTM A109.
- TIN OR TIN-LEAD PLATED PER MIL-T-10727.
- TIN PLATED PER MIL-T-10727 OVER COPPER PER MIL-C-14550.

OBSOLETE	SMALL PACK	6	.120	207463-4
OBSOLETE	STANDARD	5	.154	207463-2
	STANDARD	6	.120	207463-1

THIS DRAWING IS A CONTROLLED DOCUMENT.		DWN	S.WELDON	7-19-85	 TE Connectivity RECEPTACLE CONNECTOR, SIZE 3, 25 POSITION, AMPLIMITE™ HDP
DIMENSIONS: INCHES		CHK	J.GERACE	7-29-85	
TOLERANCES UNLESS OTHERWISE SPECIFIED:		APVD	L.BREKOSKY	7-29-85	
0 PLC ± - 1 PLC ± - 2 PLC ± - 3 PLC ± .005 4 PLC ± - ANGLES ± 2°		PRODUCT SPEC		NAME	
MATERIAL MOLDED PARTS: Δ SHELLS: Δ		FINISH SHELLS: SEE TABLE		WEIGHT	SIZE
				SCALE	CAGE CODE
				4:1	00779
				DRAWING NO	DRAWING NO
				C=207463	RESTRICTED TO
				CUSTOMER DRAWING	REV
				SCALE	E
				4:1	
				SHEET	
				1 of 1	

THIS DRAWING IS A CONTROLLED DOCUMENT FOR AMP INCORPORATED. IT IS SUBJECT TO CHANGE AND THE CONTROLLING ENGINEERING ORGANIZATION SHOULD BE CONTACTED FOR THE LATEST REVISION.

207463