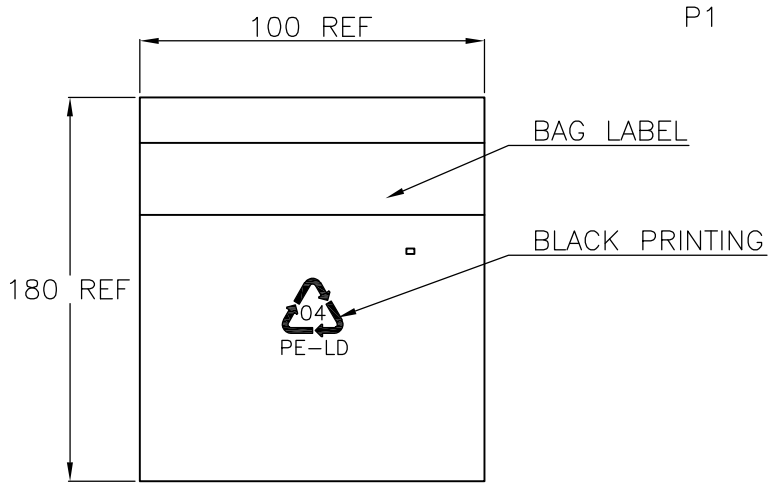
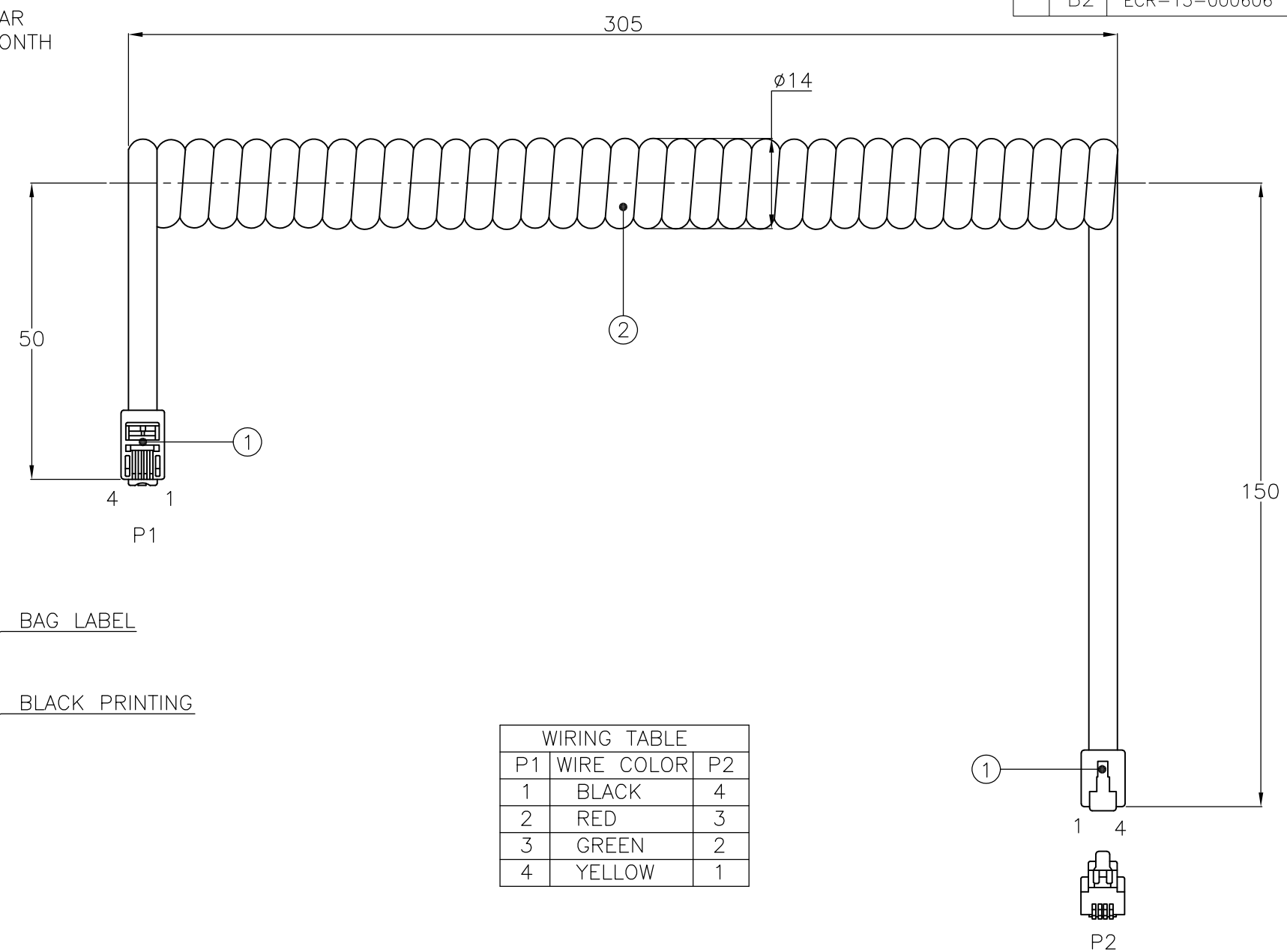


THIS DRAWING IS UNPUBLISHED. RELEASED FOR PUBLICATION  
 © COPYRIGHT - By - ALL RIGHTS RESERVED.

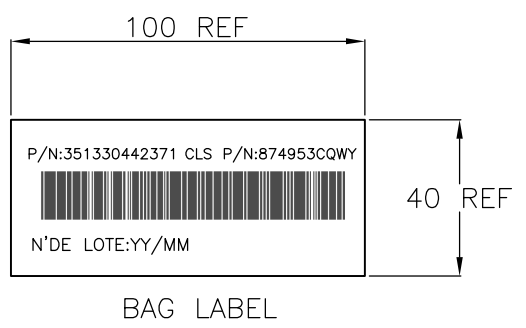
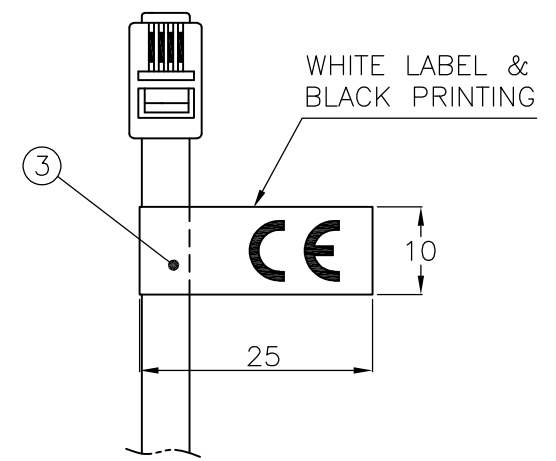
LOC	DIST	REVISIONS					
		P	LTR	DESCRIPTION	DATE	DWN	APVD
H	-		B	ECR-09-002746	10-02-09	AEG	BSK
			B1	ECR-09-015335	09-07-09	AEG	BSK
			B2	ECR-13-000606	11JAN13	GSK	BSK

- NOTES:
- LABEL INFO
    - DATE CODE YY/MM  
 YY = LAST 2 DIGITS OF THE YEAR  
 MM = LAST 2 DIGITS OF THE MONTH
    - BARCODE SYMBOLOLOGY: CODE 39
    - FONT SIZE: 10PT

CUSTOMER PN	TE PN
351330442371	2073290-1



P1	WIRE COLOR	P2
1	BLACK	4
2	RED	3
3	GREEN	2
4	YELLOW	1



AR	mm	DESCRIPTION	ITEM
AR	mm	LABEL	3
AR	MR	CABLE, UL20251, 32AWG*4C, COLOR: BLACK	2
2	PC	MOD PLUG ASSEMBLY, 4 POS,	1
QTY	U/M	DESCRIPTION	ITEM

THIS DRAWING IS A CONTROLLED DOCUMENT.		DWN B.S.VISWESWARA 08JUL08	TE Connectivity TEL CABLE DONGLE BLACK													
DIMENSIONS: mm		CHK B.SKUGOR 05NOV08														
TOLERANCES UNLESS OTHERWISE SPECIFIED:		APVD R.SMEETS 05NOV08	NAME													
<table border="1"> <tr><td>0 PLC</td><td>± -</td></tr> <tr><td>1 PLC</td><td>± -</td></tr> <tr><td>2 PLC</td><td>± -</td></tr> <tr><td>3 PLC</td><td>± -</td></tr> <tr><td>4 PLC</td><td>± -</td></tr> <tr><td>ANGLES</td><td>± -</td></tr> </table>		0 PLC	± -	1 PLC	± -	2 PLC	± -	3 PLC	± -	4 PLC	± -	ANGLES	± -	PRODUCT SPEC	SIZE	
0 PLC	± -															
1 PLC	± -															
2 PLC	± -															
3 PLC	± -															
4 PLC	± -															
ANGLES	± -															
MATERIAL		APPLICATION SPEC	CAGE CODE	DRAWING NO												
FINISH		WEIGHT	A300779	C-2073290												
CUSTOMER DRAWING			RESTRICTED TO													
SCALE NTS			SHEET 1 OF 1	REV B2												