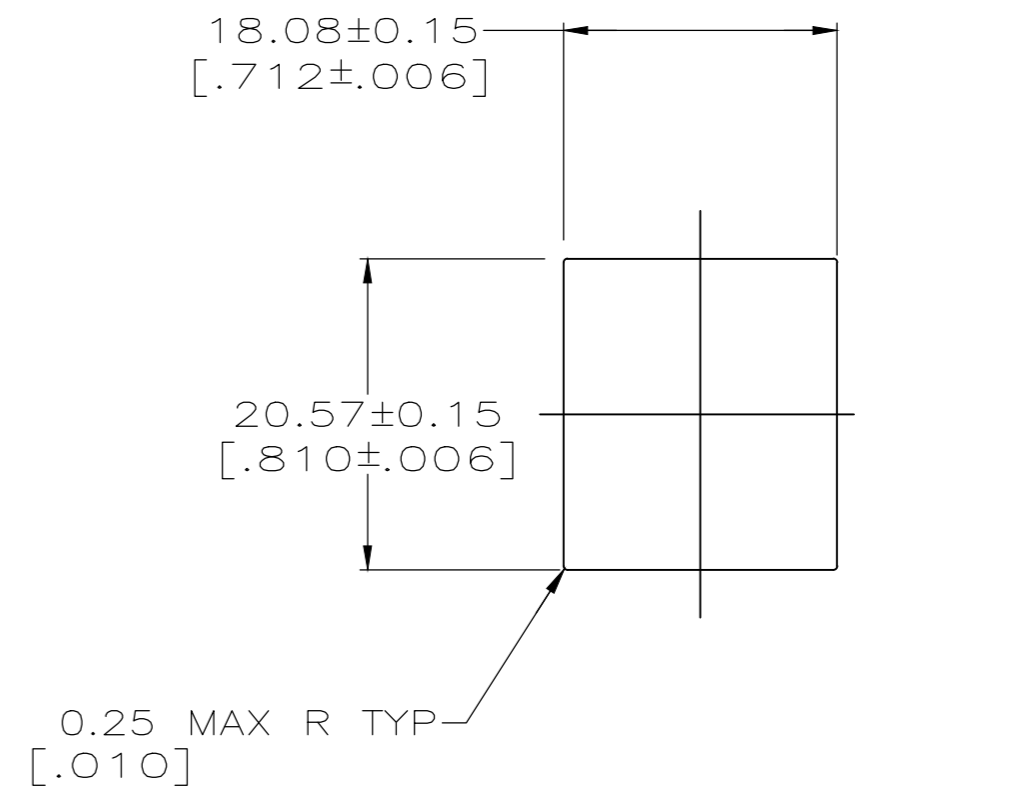
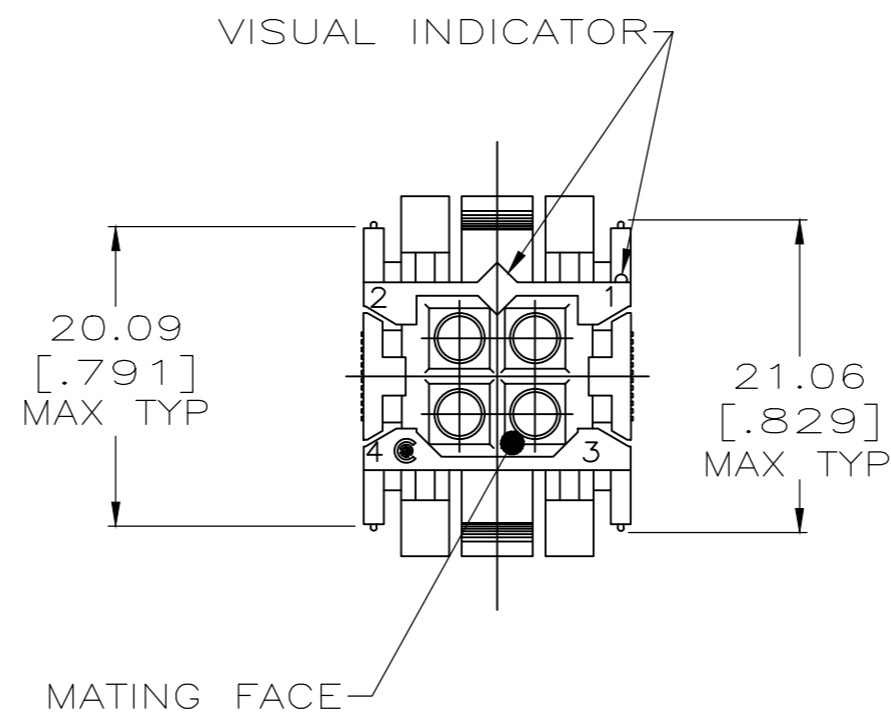
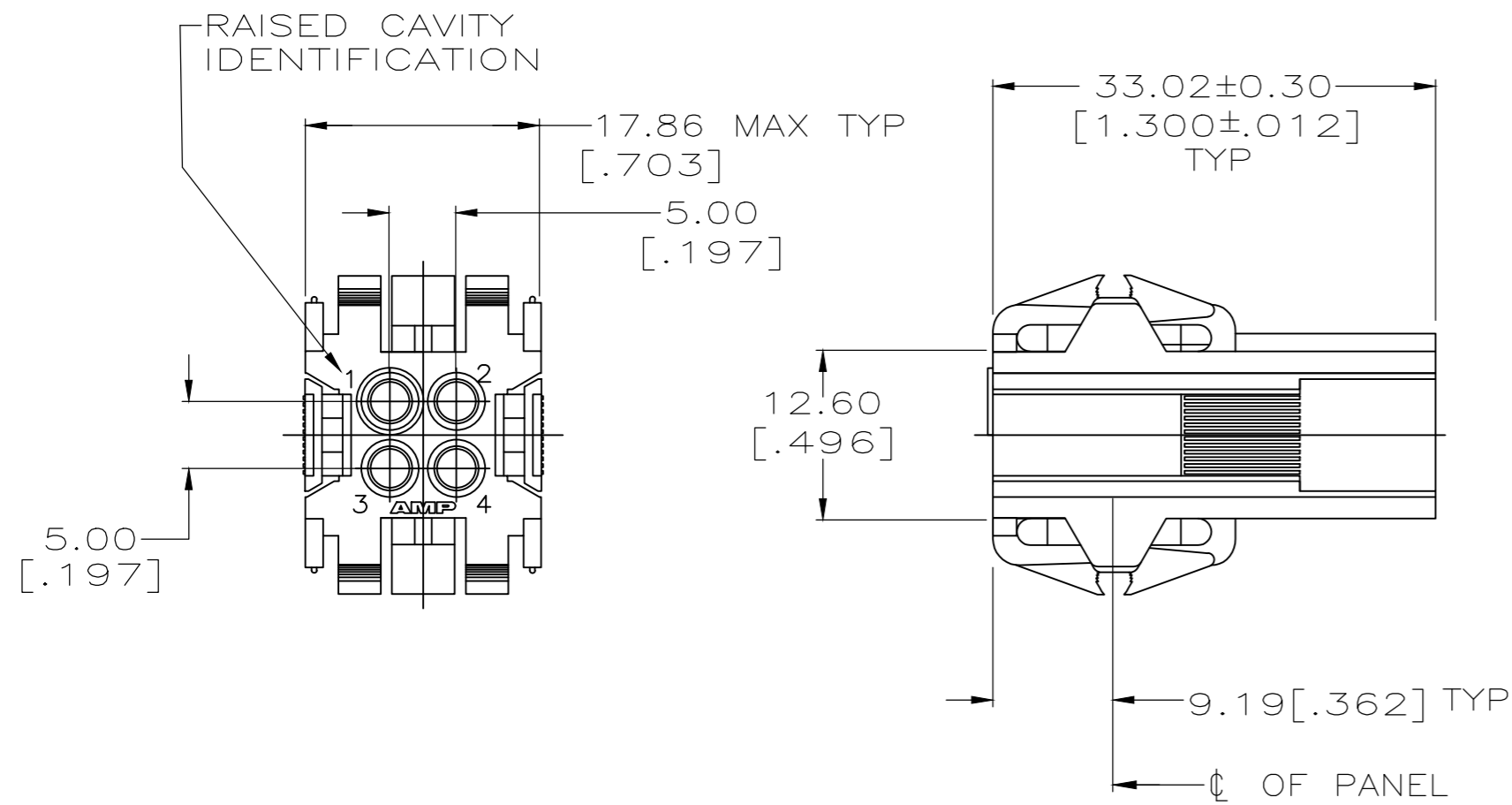


THIS DRAWING IS UNPUBLISHED. RELEASED FOR PUBLICATION  
 © COPYRIGHT - By - ALL RIGHTS RESERVED.

REVISIONS					
P	LTR	DESCRIPTION	DATE	DWN	APVD
T		REVISED PER ECO-20-002227	19FEB2020	RK	MZ



- 1. PANEL RETENTION MECHANISM ACCOMMODATES PANEL THICKNESSES FROM 0.76[.030] TO 2.29[.090].
- 2 SAME AS 207016-1 EXCEPT: ROUNDED EDGES ON THE OUTSIDE OF THE HOUSING AND A 45° ANGLE ON THE OUTSIDE OF THE HOUSING BY THE LOCKING LATCHES, REF 928096.
- 3 OBSOLETE PARTS: OBSOLETE CIS STREAMLINING PER D.RENAUD/D.SINISI
- 4 HOUSING MATERIAL: PA66, BLACK, UL 94 V-0 RATED.

<del>3</del> OBSOLETE	<del>2</del> 207016-2
	207016-1
PART NUMBER	

THIS DRAWING IS A CONTROLLED DOCUMENT.		DWN W.LENKER 08/26/92	<b>STE</b> TE Connectivity	
DIMENSIONS: mm [INCHES]		CHK R.STONE 8-31-92		
TOLERANCES UNLESS OTHERWISE SPECIFIED:		APVD -	NAME	
0 PLC ± -		PRODUCT SPEC	HOUSING, RECEPTACLE, 4 POSITION, METRIMATE	
1 PLC ± -		APPLICATION SPEC	-	
2 PLC ± 0.25 [.010]		SIZE	CAGE CODE	DRAWING NO
3 PLC ± -		A2	00779	C=207016
4 PLC ± -		WEIGHT	RESTRICTED TO	
ANGLES ± -		-	-	
FINISH		CUSTOMER DRAWING	SCALE	SHEET
4		-	2:1	1 of 1
			REV	T