



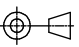


CODE 21 - BRAID TAIL BACKSHELL

206M216-19B08

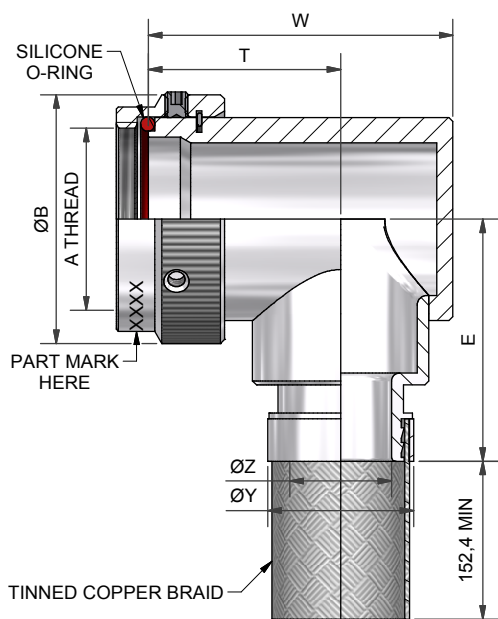
SERIES
 SHELL SIZE (TABLE 1)
 MATERIAL
 REFER TO CH00-0250-004
 FINISH
 REFER TO CH00-0250-004 (2)
 ENTRY SIZE (TABLE 2)

NOTES:

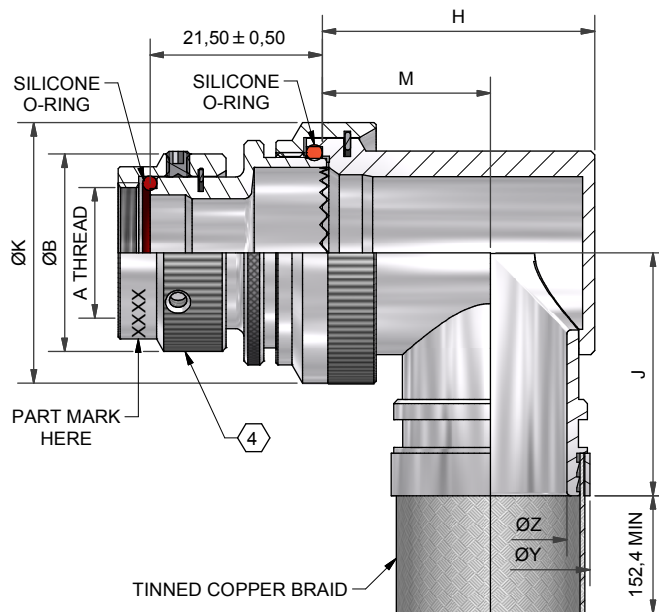
1. THIS PRODUCT IS DESIGNED TO TERMINATE A HEAT SHRINKABLE LIPPED BOOT TO A CONNECTOR.
- (2) FOR ADDITIONAL DIMENSIONS, ORDERING INFORMATION AND MODIFICATIONS, SEE CH00-0250-004
3. BACKSHELL TO BE PERMANENTLY MARKED/BAGGED AND LABELLED WITH CODE IDENTIFICATION NUMBER AND PART NUMBER. (e.g. 06090-206M212-19B08).
- (4) WHEN ENTRY SIZE EXCEEDS "MAX ENTRY", A 2 PIECE BACKSHELL (TYPE 2) IS SUPPLIED.
5. BRAID TERMINATION RING MAY BE SUPPLIED AS TINEL-LOCK SHAPE MEMORY RING AT MANUFACTURERS OPTION.
6. BACKSHELL MATES TO MIL-DTL-26482 SERIES I, MS3110, MS3116, MS3120, MS3126 CLASS E AND F CONNECTORS.
- (7) ANTI-ROTATIONAL SET SCREW, 3 THREADED HOLES $120^\circ \pm 5^\circ$ APART, SINGLE MATING SET SCREW SUPPLIED.

| | | | | | | |
|--|---------------------------|--------------------|---|--|--|--|
| DRAWN | B.VESA | DATE 22/07/2015 |  3RD ANGLE PROJECTION NOT TO SCALE | TITLE: BRAID TAIL BACKSHELL (CODE 21) |  Polamco  | |
| CHECKED | | 22/07/2015 | | | | |
| APPROVED | K.SHEPPARD | 27/07/2015 | | UNLESS OTHERWISE SPECIFIED ALL DIMENSIONS IN MILLIMETRES GENERAL TOL LINEAR +/-0.25MM ANGULAR +/- 1° | | ASSY USED ON: MIL-DTL-26482 SERIES I |
| APPROVED | H.SMITH | 09/10/2015 | | | | |
| REVISIONS | | | | | | |
| LTR | DESCRIPTION | DATE | APPROVED | | | |
| L | REVISED PER ECO-14-008400 | 06/04/2014 | I.MYONG | | | |
| M | REVISED PER ECO-15-014564 | 09/10/2015 | H.SMITH | | | |
| TE CAGE CODE: 06090 POLAMCO/TE CAGE CODE: U5792 | | | | TE CONNECTIVITY - POLAMCO LTD RESERVES THE RIGHT TO AMEND THIS DRAWING AND THE INFORMATION SET FORTH HEREON AT ANY TIME. USERS SHOULD INDEPENDENTLY EVALUATE THE SUITABILITY OF THE PRODUCT FOR THEIR APPLICATION. | DRAWING NO: 206M2XX | |
| | | | | DRAWING REV: M | SHT 1 | |

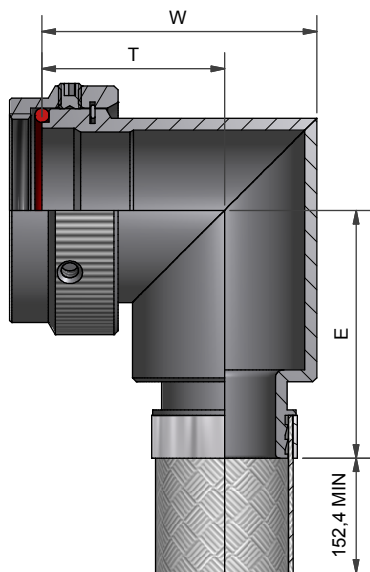
IF MAX ENTRY IS EXCEEDED BACKSHELL
WILL BE SUPPLIED AS TYPE 2



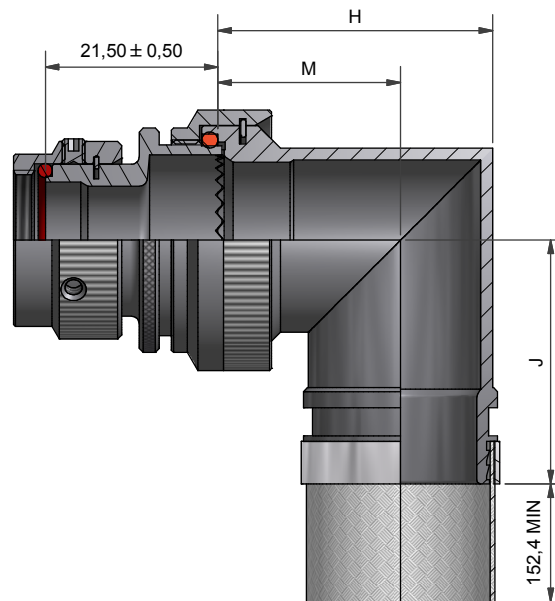
90° BACKSHELL - TYPE 1



90° BACKSHELL - TYPE 2



90° BACKSHELL - TYPE 1
STAINLESS STEEL AND
NICKEL ALUMINIUM BRONZE



90° BACKSHELL - TYPE 2
STAINLESS STEEL AND
NICKEL ALUMINIUM BRONZE

| | | | |
|-----------|---------------------------|------------|------------|
| DRAWN | B.VESA | DATE | 22/07/2015 |
| CHECKED | | DATE | 22/07/2015 |
| APPROVED | K.SHEPPARD | DATE | 27/07/2015 |
| APPROVED | H.SMITH | DATE | 09/10/2015 |
| REVISIONS | | | |
| LTR | DESCRIPTION | DATE | APPROVED |
| L | REVISED PER ECO-14-008400 | 06/04/2014 | I.MYONG |
| M | REVISED PER ECO-15-014564 | 09/10/2015 | H.SMITH |



3RD ANGLE
PROJECTION
NOT TO
SCALE

UNLESS OTHERWISE SPECIFIED
ALL DIMENSIONS IN MILLIMETRES
GENERAL TOL
LINEAR +/-0.25MM
ANGULAR +/- 1°

TITLE:

BRAID TAIL BACKSHELL (CODE 21)

ASSY USED ON:

MIL-DTL-26482 SERIES I



Polanco



TE CONNECTIVITY - POLAMCO LTD RESERVES THE RIGHT TO AMEND THIS DRAWING
AND THE INFORMATION SET FORTH HEREON AT ANY TIME. USERS SHOULD
INDEPENDENTLY EVALUATE THE SUITABILITY OF THE PRODUCT FOR THEIR APPLICATION.

DRAWING NO:
206M2XX

DRAWING REV:
M

SHT
2

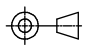
TE CAGE CODE: 06090
POLAMCO/TE CAGE CODE: U5792

TABLE 1

| BASE PART NUMBER | SHELL SIZE | A THREAD | ØB MAX | MAX ENTRY | W ±0,5 | T ±0,5 | E ±0,5 | THESE DIMENSIONS APPLY IF BACKSHELL IS STAINLESS STEEL OR NICKEL ALUMINIUM BRONZE | | |
|------------------|------------|---------------|--------|-----------|--------|--------|--------|---|--------|--------|
| | | | | | | | | W ±0,5 | T ±0,5 | E ±0,5 |
| 206M208 | 08 | 7/16-28UNEF | 18,05 | 04 | 25,0 | 17,5 | 24,0 | 22,5 | 17,5 | 24,0 |
| 206M210 | 10 | 9/16-24UNEF | 21,55 | 06 | 28,0 | 18,6 | 25,7 | 25,8 | 18,6 | 25,7 |
| 206M212 | 12 | 11/16-24UNEF | 24,65 | 08 | 31,5 | 20,5 | 27,2 | 29,5 | 20,5 | 27,2 |
| 206M214 | 14 | 13/16-20UNEF | 27,65 | 10 | 35,0 | 22,5 | 28,7 | 32,7 | 22,5 | 28,7 |
| 206M216 | 16 | 15/16-20UNEF | 31,05 | 12 | 38,0 | 24,0 | 30,4 | 35,5 | 24,0 | 30,4 |
| 206M218 | 18 | 1 1/16-18UNEF | 34,35 | 13 | 41,5 | 26,0 | 32,0 | 39,3 | 26,0 | 32,0 |
| 206M220 | 20 | 1 3/16-18UNEF | 37,55 | 15 | 45,0 | 28,0 | 33,6 | 42,7 | 28,0 | 33,6 |
| 206M222 | 22 | 1 5/16-18UNEF | 40,55 | 16 | 48,0 | 29,5 | 35,1 | 45,7 | 29,5 | 35,1 |
| 206M224 | 24 | 1 7/16-18UNEF | 43,55 | 18 | 51,0 | 31,0 | 36,6 | 48,4 | 31,0 | 36,6 |

TABLE 2

| ENTRY SIZE | ØK MAX | ØZ MIN | ØY REF | H ±0,5 | M ±0,5 | J ±0,5 | THESE DIMENSIONS APPLY IF BACKSHELL IS STAINLESS STEEL OR NICKEL ALUMINIUM BRONZE | | |
|------------|--------|--------|--------|--------|--------|--------|---|--------|--------|
| | | | | | | | H ±0,5 | M ±0,5 | J ±0,5 |
| 03 | NA | 4,77 | 13,1 | NA | NA | NA | NA | NA | NA |
| 04 | NA | 6,35 | 13,1 | NA | NA | NA | NA | NA | NA |
| 05 | 21,0 | 7,92 | 13,1 | 24,0 | 15,5 | 25,7 | 24,3 | 17,2 | 25,7 |
| 06 | 21,0 | 9,52 | 17,9 | 24,0 | 15,5 | 25,7 | 24,3 | 17,2 | 25,7 |
| 07 | 21,0 | 11,12 | 17,9 | 24,0 | 15,5 | 25,7 | 24,3 | 17,2 | 25,7 |
| 08 | 24,5 | 12,70 | 17,9 | 27,0 | 17,0 | 27,2 | 28,3 | 19,4 | 27,2 |
| 09 | 24,5 | 14,27 | 17,9 | 27,0 | 17,0 | 27,2 | 28,3 | 19,4 | 27,2 |
| 10 | 29,0 | 15,87 | 24,2 | 31,0 | 19,5 | 28,7 | 31,1 | 21,0 | 28,7 |
| 11 | 32,5 | 17,47 | 24,2 | 34,0 | 21,0 | 30,4 | 34,2 | 22,8 | 30,4 |
| 12 | 32,5 | 19,05 | 24,2 | 34,0 | 21,0 | 30,4 | 34,2 | 22,8 | 30,4 |
| 13 | 35,5 | 20,62 | 24,2 | 35,0 | 20,0 | 32,1 | 38,5 | 25,3 | 32,1 |
| 14 | 35,5 | 22,23 | 30,6 | 35,0 | 20,0 | 32,1 | 38,5 | 25,3 | 32,1 |
| 15 | 37,0 | 23,82 | 30,6 | 38,0 | 21,5 | 33,7 | 40,7 | 26,1 | 33,7 |
| 16 | 37,0 | 25,40 | 30,6 | 38,0 | 21,5 | 33,7 | 40,7 | 26,1 | 33,7 |
| 17 | 40,0 | 26,98 | 33,2 | 42,0 | 24,0 | 35,2 | 43,7 | 27,6 | 35,2 |
| 18 | 40,0 | 28,60 | 33,2 | 42,0 | 24,0 | 35,2 | 43,7 | 27,6 | 35,2 |
| 20 | 43,5 | 31,80 | 42,0 | 45,0 | 25,5 | 36,7 | 46,4 | 29,1 | 36,7 |
| 21 | 48,5 | 33,34 | 42,0 | 54,5 | 31,0 | 39,8 | 50,0 | 31,0 | 39,8 |
| 22 | 48,5 | 35,00 | 42,0 | 54,5 | 31,0 | 39,8 | 50,0 | 31,0 | 39,8 |
| 24 | 52,1 | 38,10 | 42,0 | 58,0 | 33,0 | 43,8 | 53,5 | 33,0 | 43,8 |
| 28 | 58,5 | 44,45 | 49,0 | 65,5 | 36,5 | 48,9 | 60,3 | 36,5 | 48,9 |

| | | | | |
|------------------|---------------------------|------------|------------|--|
| DRAWN | B.VESA | DATE | 22/07/2015 |  3RD ANGLE PROJECTION NOT TO SCALE |
| CHECKED | | DATE | 22/07/2015 | |
| APPROVED | K.SHEPPARD | DATE | 27/07/2015 | |
| APPROVED | H.SMITH | DATE | 09/10/2015 | |
| REVISIONS | | | | |
| LTR | DESCRIPTION | DATE | APPROVED | |
| L | REVISED PER ECO-14-008400 | 06/04/2014 | I.MYONG | |
| M | REVISED PER ECO-15-014564 | 09/10/2015 | H.SMITH | |

TITLE:
BRAID TAIL BACKSHELL (CODE 21)

ASSY USED ON:
MIL-DTL-26482 SERIES I

