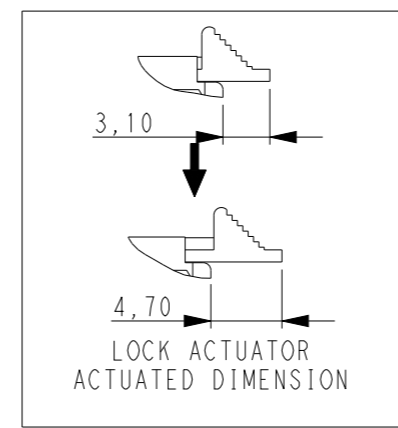
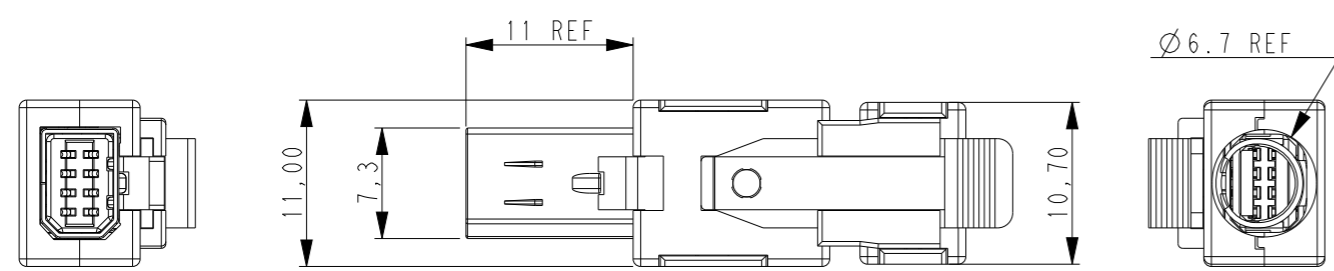
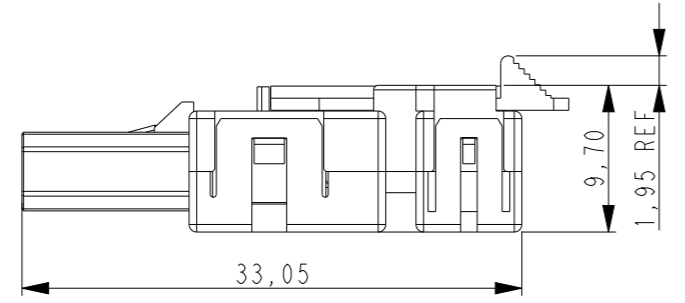
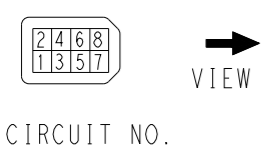


THIS DRAWING IS UNPUBLISHED. RELEASED FOR PUBLICATION 20
 © COPYRIGHT 20 BY - ALL RIGHTS RESERVED.

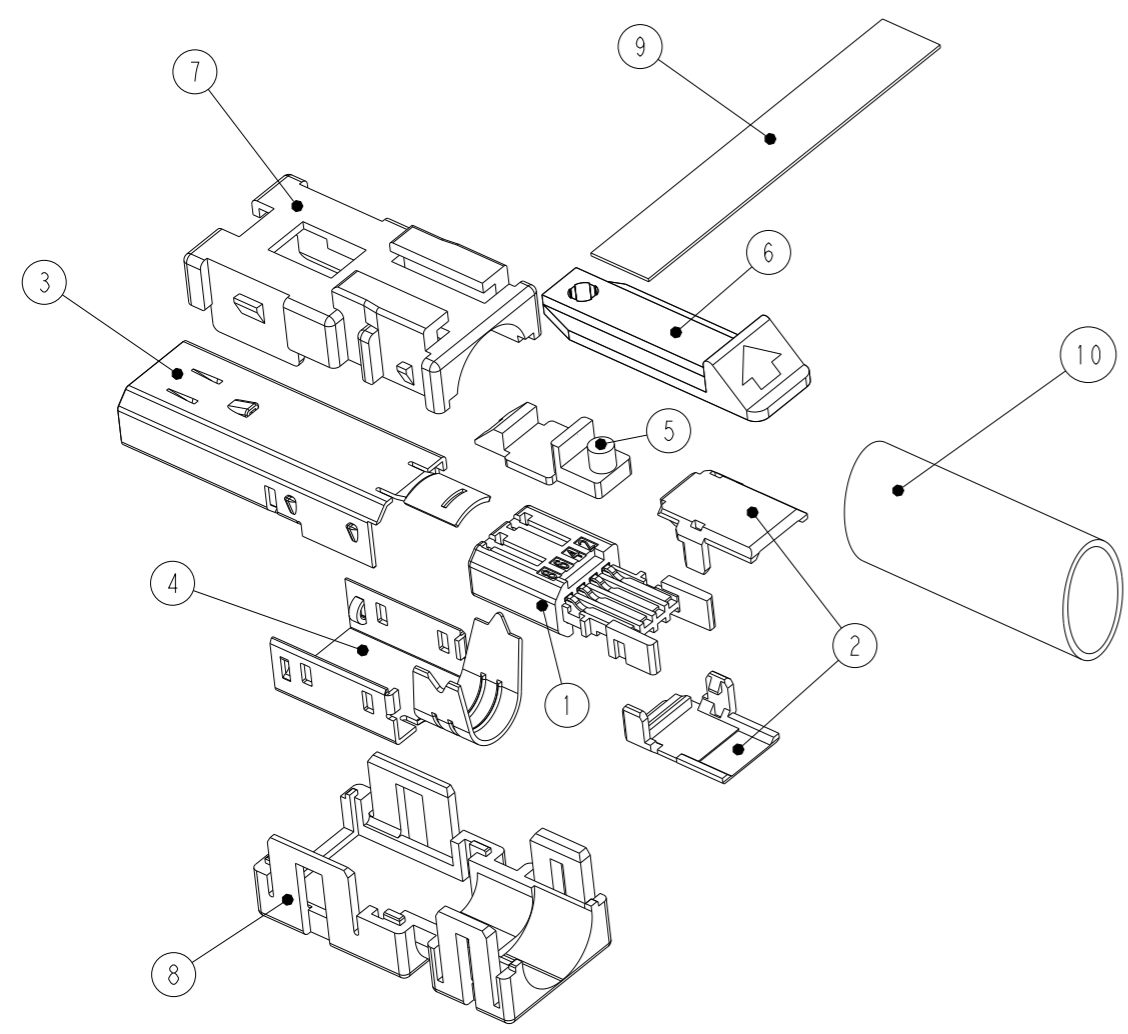
LOC		DIST		REVISIONS			
P	LTR	DESCRIPTION	DATE	DWN	APVD		
-	-	A	RELEASED	03DEC2008	S. I	A. O	
		B	REVISED	01OCT2009	T. S	N. Y	
		C	REVISED PER ECR-19-000404	11JAN2019	PP	PJ	
		C1	PROP 65 WARNING NOTE ADDED	15DEC2021	SS	JDB	



D-SHAPE TYPE 1



NOTE:
 1. APPLICABLE CABLE: 22AWG MAX×8C MAX, OVERALL DIAMETER 6.7MAX.
 2. PACKING IS PACKED UP INDIVIDUALLY EACH 100 ITEM AT A TIME.
 △ PROP 65 WARNING LABEL: SEE SHEET 2



QTY	MATERIAL / FINISH	TYPE	COLOR	PART NAME	ITEM NO.
100	100	100		CROSS-LINKED POLYOLEFIN	HEAT SHRINKABLE TUBE (10)
100	100	100		ELECTROLYSIS COPPER FOIL, ACRYLIC ADHESIVE MATERIAL	COPPER FOIL TAPE (9)
100	100	100		POLYESTER OF GLASS FILLED THERMO PLASTIC(UL94V-0)	BOTTOM COVER (8)
100	100	100		POLYESTER OF GLASS FILLED THERMO PLASTIC(UL94V-0)	TOP COVER, EJECTOR EXT VER. (7)
100	-	-	B	WHITE	PLUG LOCK ACTUATOR (6)
-	100	-	A2	ORANGE	
-	-	100	A1	BLACK	
100	100	100		POLYESTER OF GLASS FILLED THERMO PLASTIC(UL94V-0)	LOCK EJECTOR EXT VER. (5)
100	100	100		STEEL/UNDER Cu PLATING, TOP Ni PLATING	BOTTOM SHELL (4)
100	100	100		STEEL/UNDER Cu PLATING, TOP Ni PLATING	TOP SHELL (3)
200	200	200		POLYESTER OF GLASS FILLED THERMO PLASTIC(UL94V-0)	PLUG HSG COVER (2)
100	100	100		CONTACT: COPPER ALLOY UNDER ALL SURFACE: Ni PLATING 1.27µmMIN TOP CONTACT AREA: Au PLATING 0.5µmMIN SOLDERING AREA: Au FLASH HSG: POLY-AMID OF GLASS FILLED THERMO PLASTIC(UL94V-0)	PLUG HSG SUB ASSY (1)

THIS DRAWING IS A CONTROLLED DOCUMENT.

DWN: 03DEC2008, S. INOMATA
 CHK: 03DEC2008, A. OOISHI
 APVD: 03DEC2008, A. OOISHI

NAME: INDUSTRIAL MINI I/O PLUG CONN.KIT(100PC)D-SHAPE TYPE1 LOCK EJECTOR EXTEND VERSION

PRODUCT SPEC: 108-78405
 APPLICATION SPEC: 114-5431

WEIGHT: 4.38 GR

SIZE: A3, CAGE CODE: 00779, DRAWING NO: C-2069772

RESTRICTED TO: -

SCALE: 2:1, SHEET: 1 OF 2, REV: C1

CUSTOMER DRAWING

THIS DRAWING IS UNPUBLISHED.

RELEASED FOR PUBLICATION

20

© COPYRIGHT 20

BY -

ALL RIGHTS RESERVED.

LOC

DIST


REVISIONS

P	LTR	DESCRIPTION	DATE	DWN	APVD
-	-	SEE SHEET 1	-	-	-


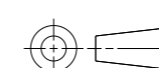
NOTES: CONTINUATION FROM SHEET 1:

3 PROP 65 WARNING LABEL:

- THE WARNING LABEL ON THE PRODUCT OR LOWEST LEVEL PACKAGING
- CHEMICAL NAME: ANTIMONY TRIOXIDE



WARNING: This product can expose you to chemicals including ANTIMONY TRIOXIDE which is known to the state of California to cause cancer. For more information, visit www.P65Warnings.ca.gov.

THIS DRAWING IS A CONTROLLED DOCUMENT.		DWN S. INOMATA 03DEC2008	 TE Connectivity			
DIMENSIONS: mm 		CHK A. OOISHI 03DEC2008	NAME INDUSTRIAL MINI I/O PLUG CONN.KIT(100PC)D-SHAPE TYPE1 LOCK EJECTOR EXTEND VERSION			
		APVD A. OOISHI 03DEC2008				
TOLERANCES UNLESS OTHERWISE SPECIFIED: ±0.3 0 PLC ± 1 PLC ±0,5 2 PLC ±0,13 3 PLC ±0,013 4 PLC ±0,0001 ANGLES ±		PRODUCT SPEC 108-78405	SIZE	CAGE CODE	DRAWING NO	RESTRICTED TO
		APPLICATION SPEC 114-5431	A3	00779	©=2069772	-
MATERIAL SEE TABLE		FINISH SEE TABLE	WEIGHT 4.38 GR	SCALE 2:1 SHEET 2 OF 2 REV C1		
			CUSTOMER DRAWING			