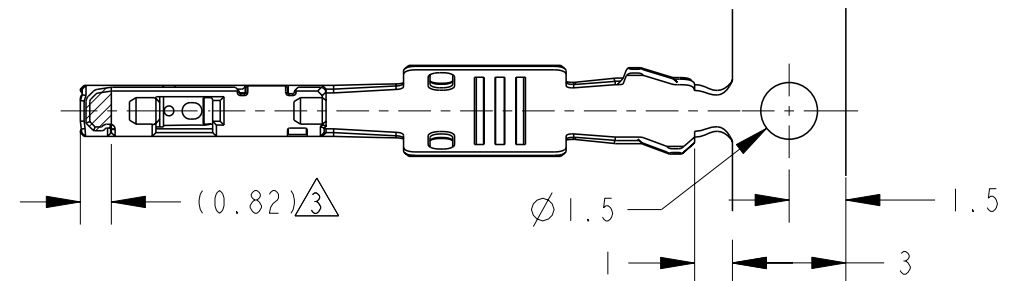
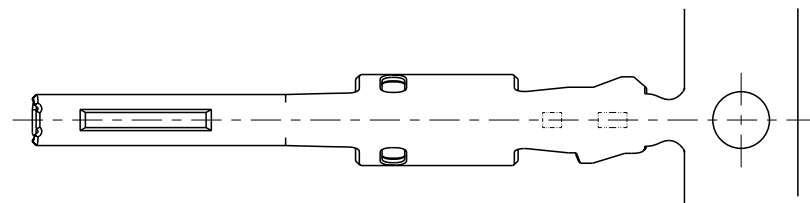
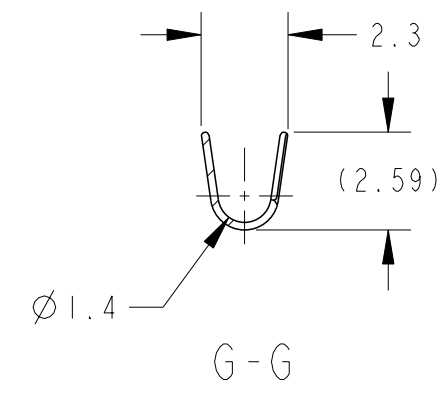
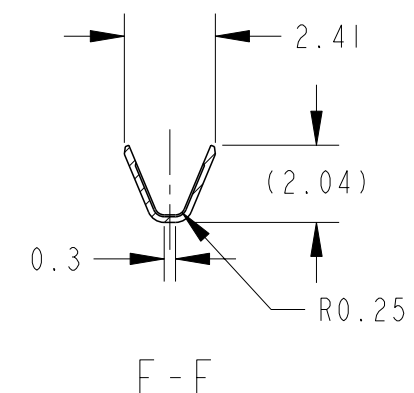
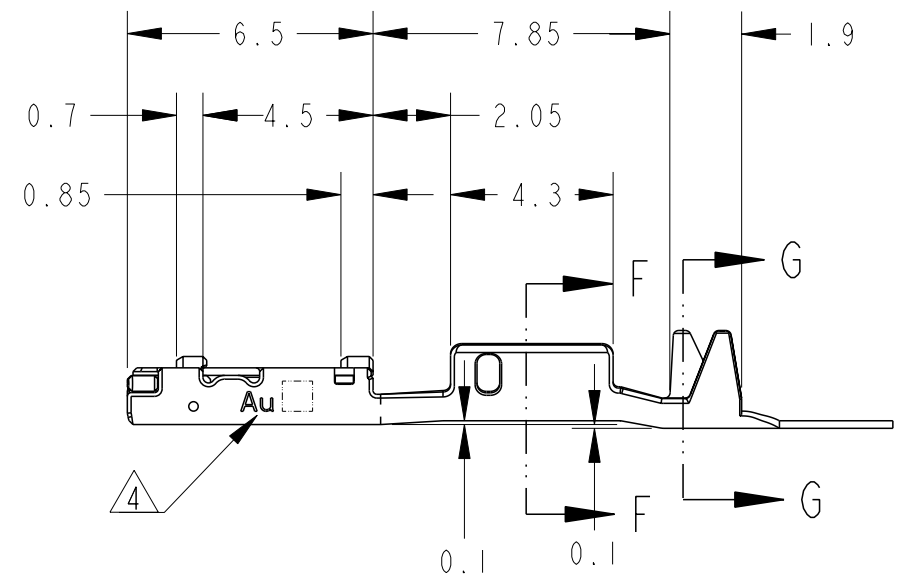
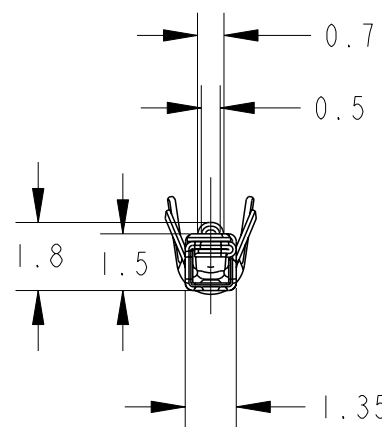


THIS DRAWING IS UNPUBLISHED. RELEASED FOR PUBLICATION NOV. 2012
 © COPYRIGHT 2012 BY Tyco Electronics Japan G.K. ALL RIGHTS RESERVED.

LOC	DIST	REVISIONS 変更						
		P	LTR	DESCRIPTION	DATE	DWN	APVD	
J	-	A		RELEASED	ECR-12-019009	15NOV12	RK	HY
		B		REVISED	ECR-15-013494	18SEP2015	KK	RK



AS SHOWN: -1
本図: -1



- 1. APPLICABLE WIRE RANGE:
AESSX/AVSSH/AVSS 0.5mm²
- 2. APPLICATOR FEED: 7.5mm
- △3 GOLD PLATED AREA FOR DISCRIMINATION.
- △4 MARKING FOR IDENTIFICATION.

- 1. 適用電線: AESSX/AVSSH/AVSS 0.5mm²
- 2. アプリケータ送りピッチ: 7.5mm
- △3 識別用金めつき範囲を示す。
- △4 識別用刻印

THIS DRAWING IS A CONTROLLED DOCUMENT.

DIMENSIONS: 単位: 耗 mm	TOLERANCES UNLESS OTHERWISE SPECIFIED: 一般公差 ±0.3 0-PLC ± 1-PLC ±0.5 2-PLC ±0.13 3-PLC ±0.013 4-PLC ±0.001 ANGLES ±3'00"
MATERIAL 材料 COPPER Alloy	FINISH 仕上 SELECTIVE GOLD, TIN

DWN	16 JAN 09
CHK	T. AKIGUCHI
APVD	R. KOMIYAMA
PRODUCT SPEC	H. YAMAGAMI
APPLICATION SPEC	108-78518
WEIGHT	114-5400
	0.16 g

WIRE RANGE 絶合電線断面積	0.54~0.56mm ²	INSULATION DIA 被覆外径	φ1.6~φ1.7
TE TE Connectivity			
NAME 名称 SEALED 0.50 RECEPTACLE CONTACT Au			
SIZE	CAGE CODE	DRAWING NO 番号	RESTRICTED TO
A3	00779	C-2069401	-
CUSTOMER DRAWING		SCALE 尺度	5:1
		SHEET	1 OF 1
		REV	B