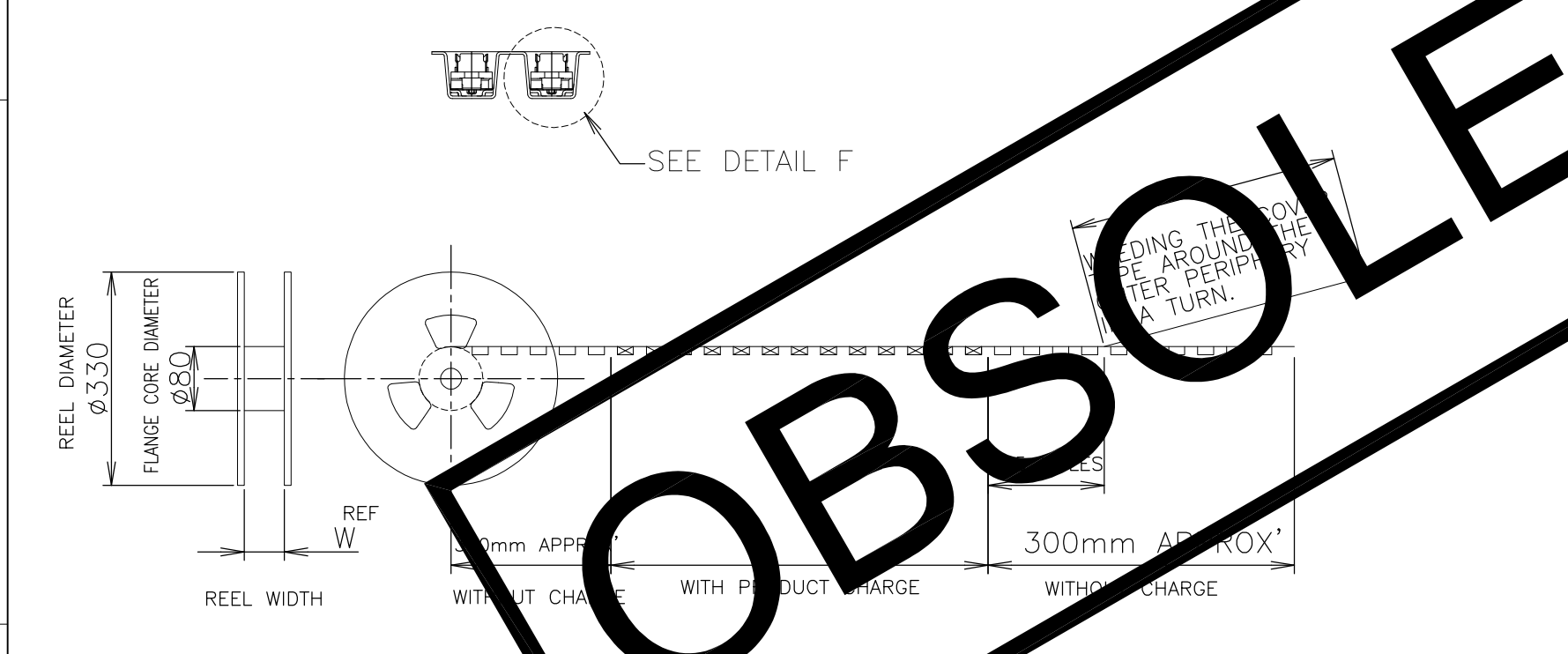
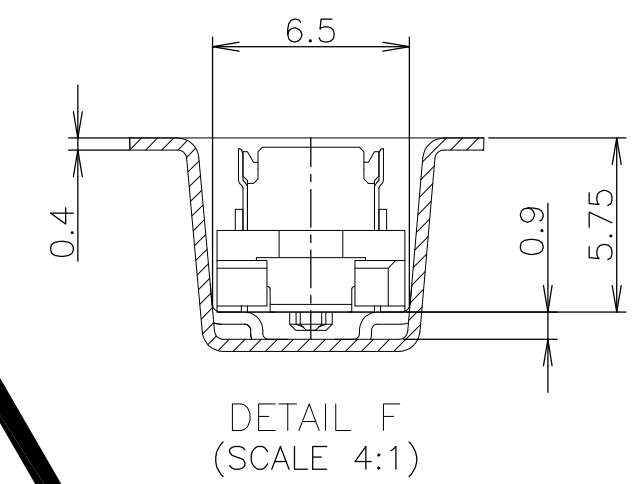
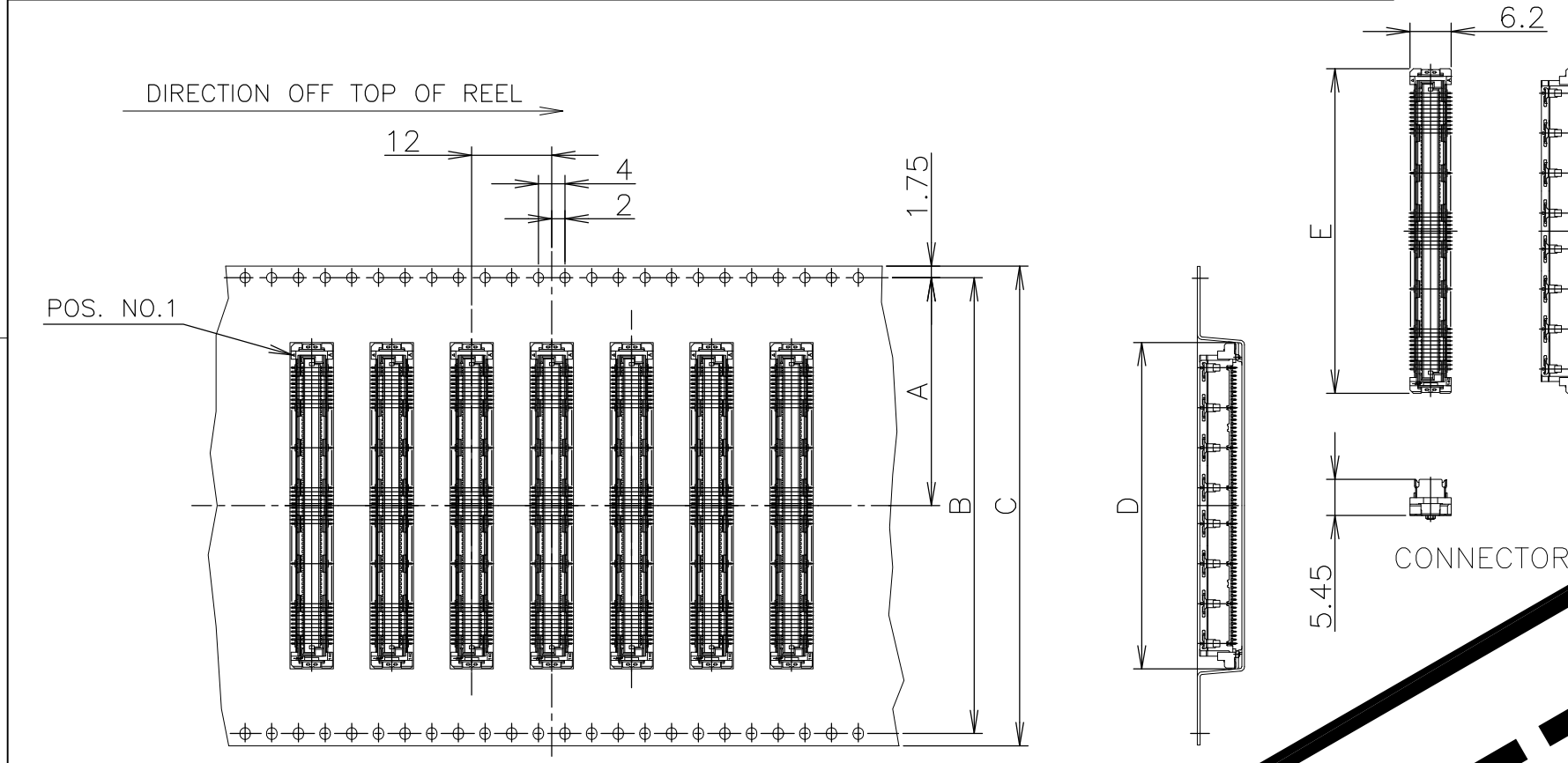


THIS DRAWING IS UNPUBLISHED. RELEASED FOR PUBLICATION JUL ,2008.
 © COPYRIGHT 2008 BY TYCO ELECTRONICS CORPORATION. ALL RIGHTS RESERVED.

LOC	DIST	REVISIONS					
J		P	LTR	DESCRIPTION	DATE	DWN	APVD
			A	RELEASED	24JUL2008	Y.N	T.F
			B	REVISED PER ECO-17-002393	25MAY17	B.J	S.Y



OBSOLETE

NON SEALANT	NOT AVAILABLE	800	49.5	24.7	25	44	40.4	20.2	60	7-2069365-4	△
			77.5	44.7	55	72	68.4	34.2	160	6-	-1
			77.5	48.7	49	72	68.4	34.2	140	6-	-0
			61.5	42.7	43	56	52.4	26.2	120	5-	-9
			61.5	36.7	37	56	52.4	26.2	100	5-	-8
			61.5	33.7	34	56	52.4	26.2	90	5-	-7
			49.5	27.7	28	44	40.4	20.2	80	5-	-6
			49.5	24.7	25	44	40.4	20.2	60	5-	-4
			37.5	21.7	22	32	28.4	14.2	50	5-	-3
			37.5	18.7	19	32	28.4	14.2	40	5-	-2
NON SEALANT	NOT AVAILABLE	800	29.5	15.7	16	24	11.5	11.5	30	5-2069365-1	
	NOT AVAILABLE	800	49.5	24.7	25	44	40.4	20.2	60	2-2069365-4	△
	AVAILABLE		77.5	54.7	55	72	68.4	34.2	160	1-	-1
	NOT AVAILABLE		77.5	48.7	49	72	68.4	34.2	140	1-	-0
			61.5	42.7	43	56	52.4	26.2	120		-9
			61.5	36.7	37	56	52.4	26.2	100		-8
	NOT AVAILABLE	800	61.5	33.7	34	56	52.4	26.2	90		-7
NON SEALANT	NOT AVAILABLE	800	49.5	27.7	28	44	40.4	20.2	70		-5
			49.5	24.7	25	44	40.4	20.2	60		-4
			37.5	21.7	22	32	28.4	14.2	50		-3
			37.5	18.7	19	32	28.4	14.2	40		-2
NON SEALANT	NOT AVAILABLE	800	29.5	15.7	16	24	11.5	11.5	30	2069365-1	

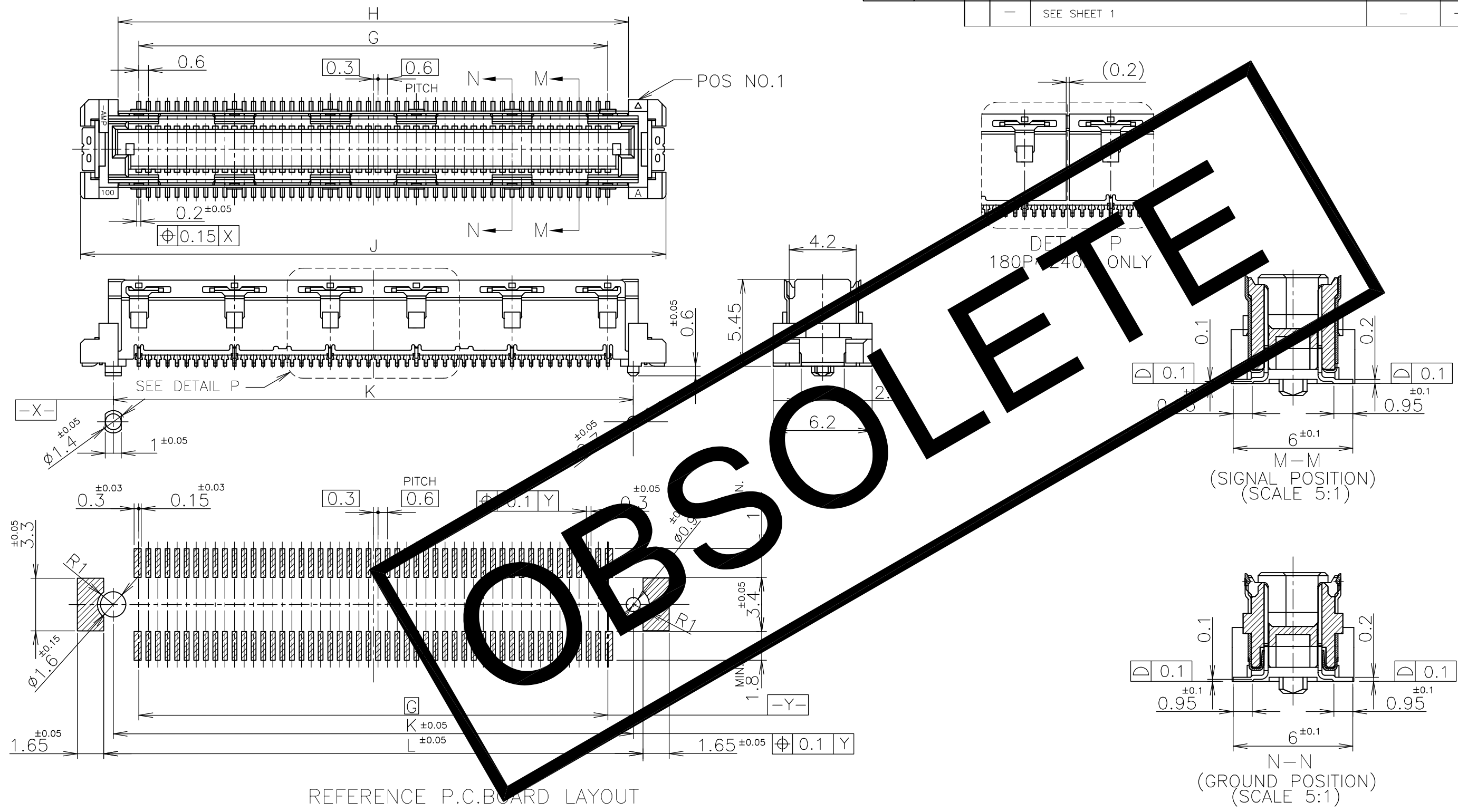
- △4 THIS PRODUCT WAS COATED BY FLUX-PENETRATION -INHIBITING AGENT.
- 5 HOUSING COLOR : NATURAL
- △6 HOUSING COLOR : BLACK

THIS DRAWING IS A CONTROLLED DOCUMENT.

DIMENSIONS: 単位: 概 mm	TOLERANCES UNLESS OTHERWISE SPECIFIED: 一般公差	DWN Y.NAKAZAWA 24JUL2008	Tyco Electronics Corporation Kawasaki, Japan
0 PLC ± 0.2	1 PLC ± 0.2	CHK T.FUTATSUGI 24JUL2008	
2 PLC ± 0.2	3 PLC ± 0.2	APVD T.FUTATSUGI 24JUL2008	NAME 名称
4 PLC ± 0.2	ANGLES ± 5'	PRODUCT SPEC 製品規格	EMBOSS ASSY
MATERIAL 材料	FINISH 仕上	APPLICATION SPEC 取付適用規格	FH 0.6BTB CONNECTOR
		WEIGHT 0	PLUG 6H WITH G-PLATE Au-PLATED 0.00076mm
		CUSTOMER DRAWING	SIZE A3 CAGE CODE 00779 DRAWING NO G-2069365 RESTRICTED TO 番号
			SCALE 尺度 1:1 SHEET 1 OF 3 REV B

THIS DRAWING IS UNPUBLISHED. RELEASED FOR PUBLICATION JUL ,2008.
 © COPYRIGHT 2008 BY TYCO ELECTRONICS CORPORATION. ALL RIGHTS RESERVED.

LOC	DIST	REVISIONS					
J		P	LTR	DESCRIPTION	DATE	DWN	APVD
		-		SEE SHEET 1	-	-	-



REFERENCE P.C. BOARD LAYOUT

AVAILABLE	51.8	50.6	54.7	50	47.4	160
NOT AVAILABLE	45.8	44.6	48.7	44	41.4	140
	39.8	38.6	42.7	38	35.4	120
	33.8	32.6	36.7	32	29.4	100
	30.8	29.6	33.7	29	26.4	90
	27.8	26.6	30.7	26	23.4	80
	24.8	23.6	27.7	23	20.4	70
	21.8	20.6	24.7	20	17.4	60
	19.8	17.6	21.7	17	14.4	50
	15.8	14.6	18.7	14	11.4	40
NOT AVAILABLE	12.8	11.6	15.7	11	8.4	30
TOOLING STATUS	L	K	J	H	G	POS

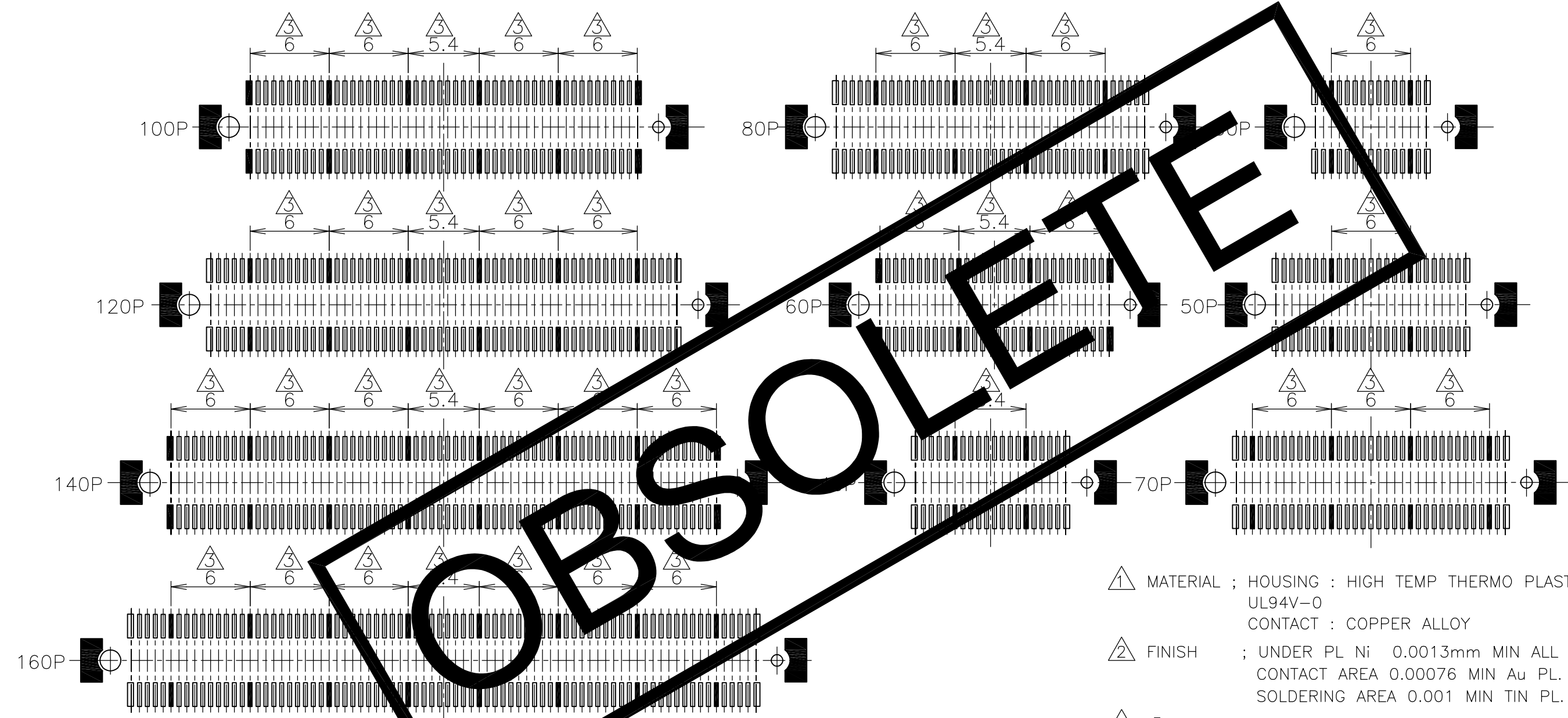
GENERAL TOLERANCE
 一般公差
 10 ≥ ±0.2
 30 ≥ >10: ±0.25
 100 ≥ >30: ±0.3
 ANGLES: ±3°

THIS DRAWING IS A CONTROLLED DOCUMENT.

DIMENSIONS: 単位: 耗 mm	TOLERANCES UNLESS OTHERWISE SPECIFIED: 一般公差	DWN	Tyco Electronics Corporation Kawasaki, Japan				
	0 PLC ± - 1 PLC ± - 2 PLC ± - 3 PLC ± - 4 PLC ± - ANGLES ± -	CHK	NAME 名称				
		APVD	EMBOSS ASSY FH 0.6BTB CONNECTOR PLUG 6H WITH G-PLATE Au-PLATED 0.00076mm				
	FINISH 仕上	PRODUCT SPEC 製品規格	SIZE	CAGE CODE	DRAWING NO 番号	RESTRICTED TO	
		APPLICATION SPEC 取付適用規格	A3	00779	G-2069365		
MATERIAL 材料		WEIGHT	CUSTOMER DRAWING		SCALE 尺度 4:1	SHEET 2 OF 3	REV B

THIS DRAWING IS UNPUBLISHED. RELEASED FOR PUBLICATION JUL ,2008.
 © COPYRIGHT 2008 BY TYCO ELECTRONICS CORPORATION. ALL RIGHTS RESERVED.

LOC	DIST	REVISIONS		
J		変更	DATE	DWN
P	LTR	DESCRIPTION		APVD
		SEE SHEET 1	-	-



- ① MATERIAL ; HOUSING : HIGH TEMP THERMO PLASTIC UL94V-0
CONTACT : COPPER ALLOY
- ② FINISH ; UNDER PL Ni 0.0013mm MIN ALL OVER.
CONTACT AREA 0.00076 MIN Au PL.
SOLDERING AREA 0.001 MIN TIN PL.
- ③ ■ THIS POSITION IS GROUND CIRCUIT.

GENERAL TOLERANCE
 一般公差
 10 ≥ : ±0.2
 30 ≥ : >10: ±0.25
 100 ≥ : >30: ±0.3
 ANGLES: ±3°

THIS DRAWING IS A CONTROLLED DOCUMENT.		DWN	Tyco Electronics Corporation Kawasaki, Japan	
DIMENSIONS: 単位: 耗 mm		CHK	NAME 名称	
TOLERANCES UNLESS OTHERWISE SPECIFIED: 一般公差		APVD	EMBOSS ASSY FH 0.6BTB CONNECTOR PLUG 6H WITH G-PLATE Au-PLATED 0.00076mm	
0 PLC ± - 1 PLC ± - 2 PLC ± - 3 PLC ± - 4 PLC ± - ANGLES ± -		PRODUCT SPEC 製品規格	SIZE	RESTRICTED TO
MATERIAL 材料	FINISH 仕上	APPLICATION SPEC 取付適用規格	CAGE CODE	DRAWING NO 番号
①	②	WEIGHT	A3 00779	G-2069365
CUSTOMER DRAWING			SCALE 尺度 3:1	SHEET 3 OF 3