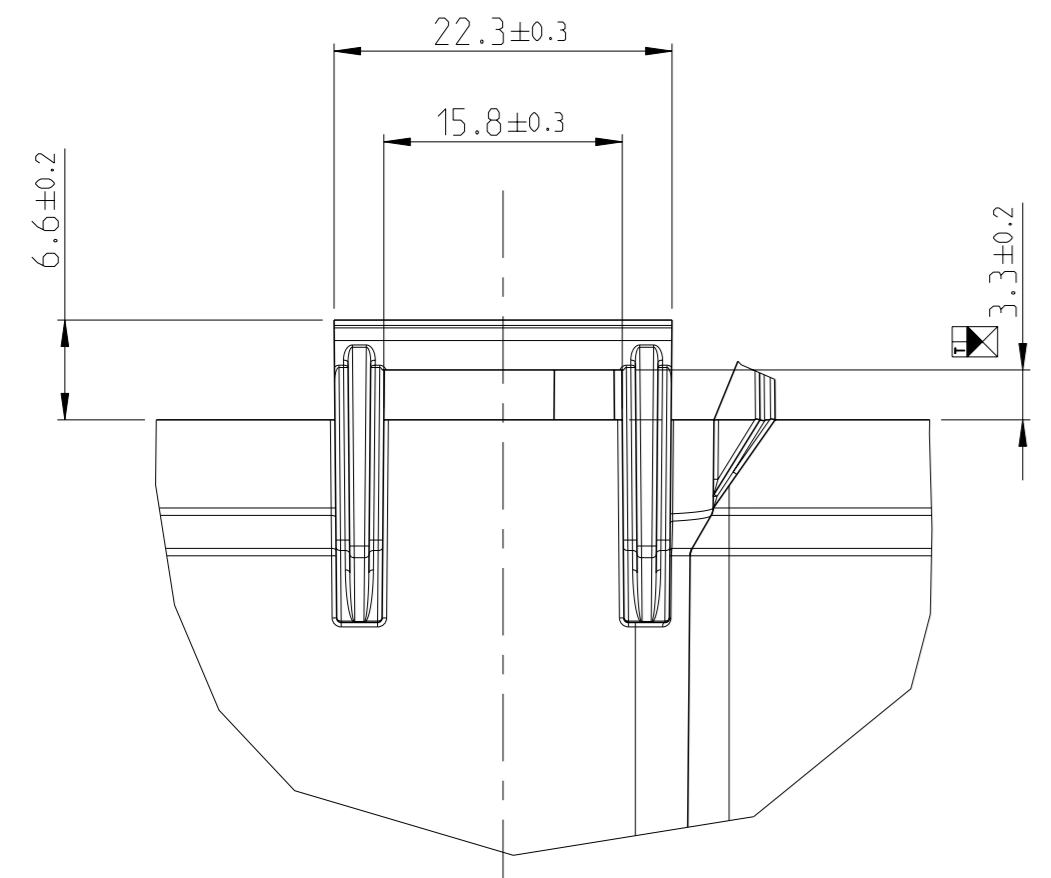
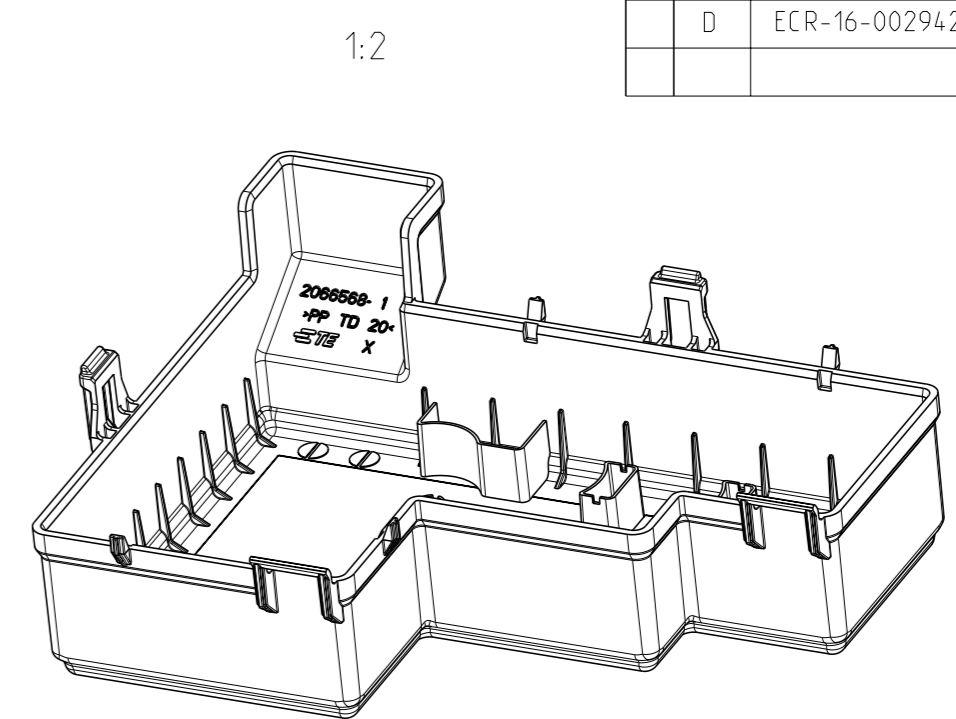
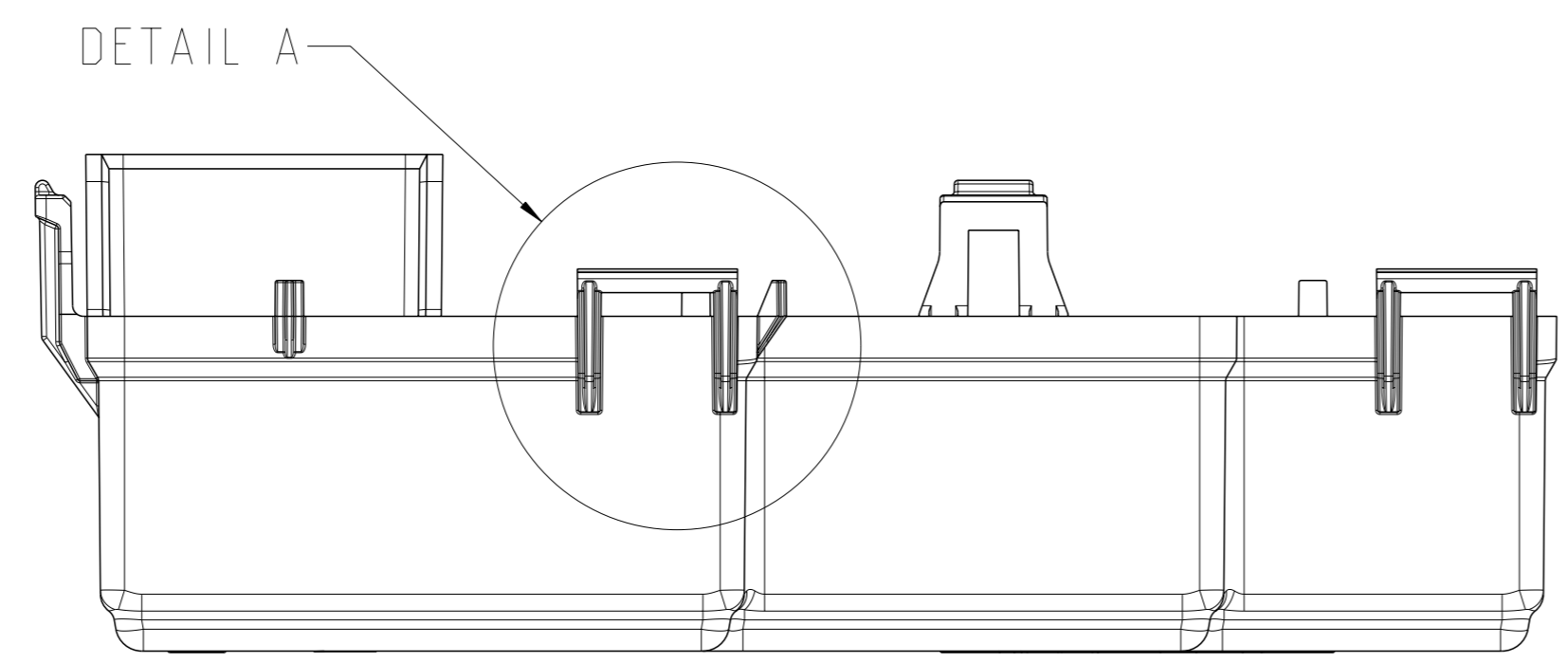


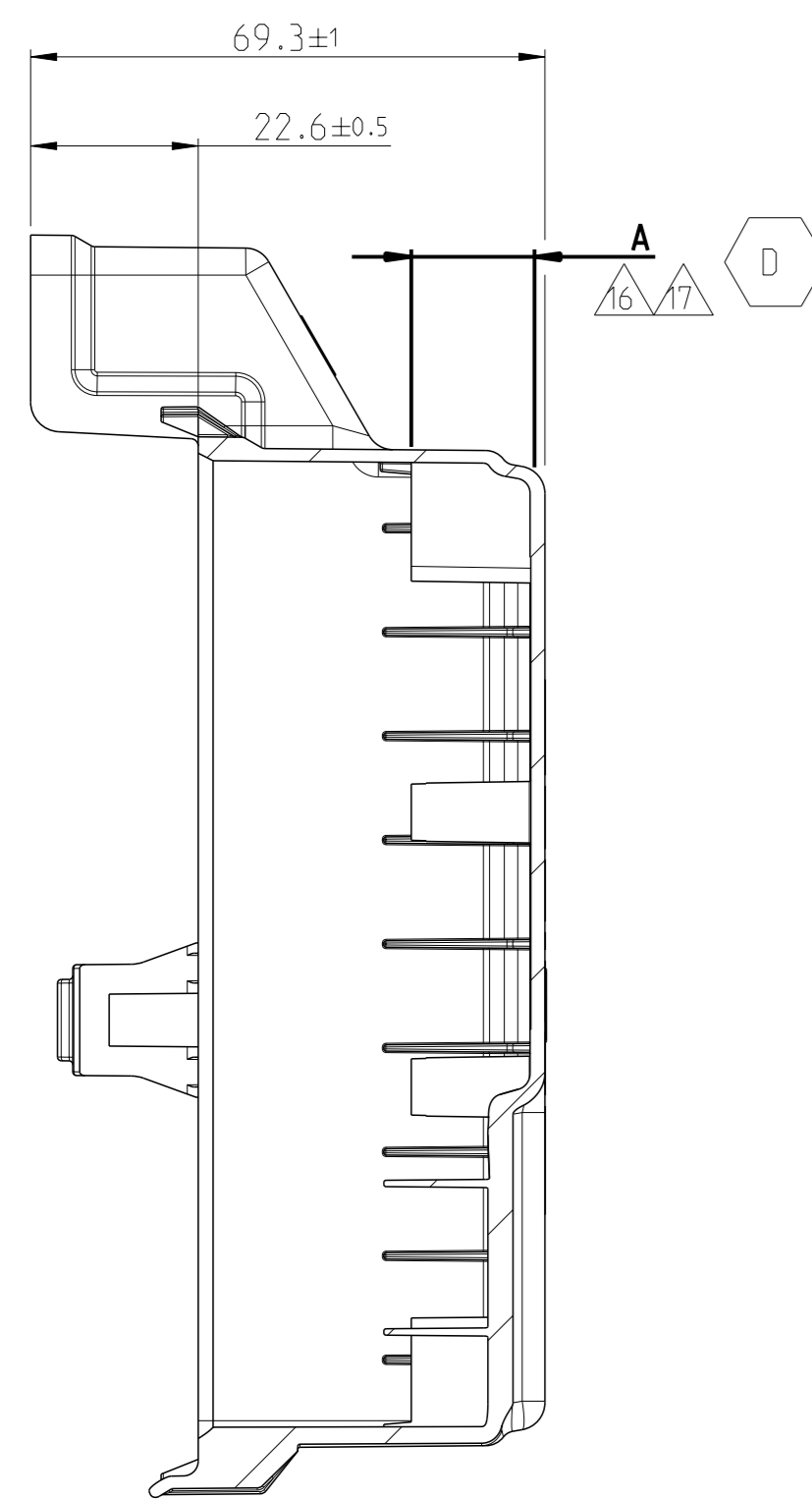
REVISIONS					
#	CLM	DESCRIPTION	DATE	OWN	APVD
B	ECR-14-004843		9APR2014	GG	RK
C	ECR-15-010185		07JULY2015	KG	RK
D	ECR-16-002942		26FEB2016	JC	RK



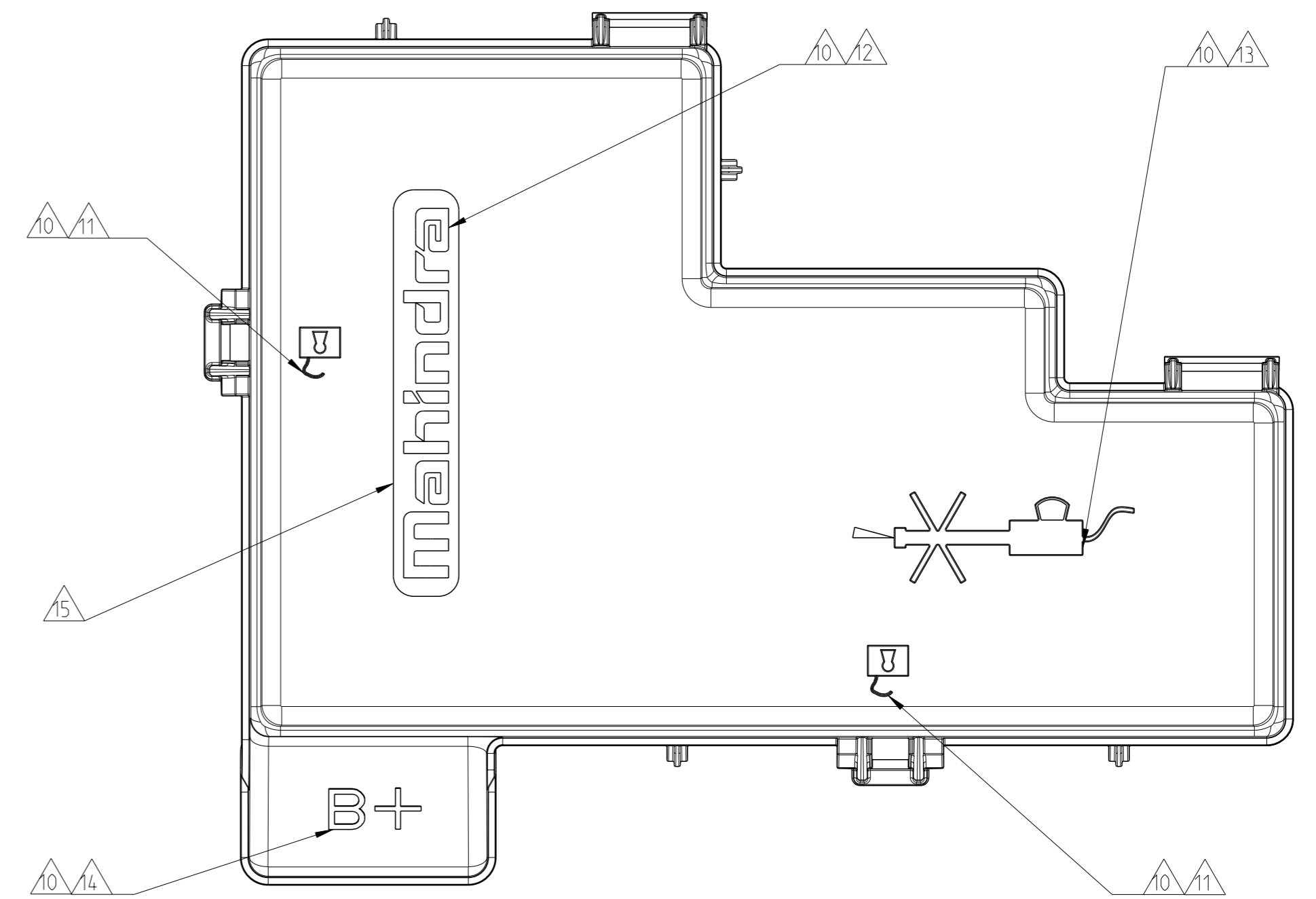
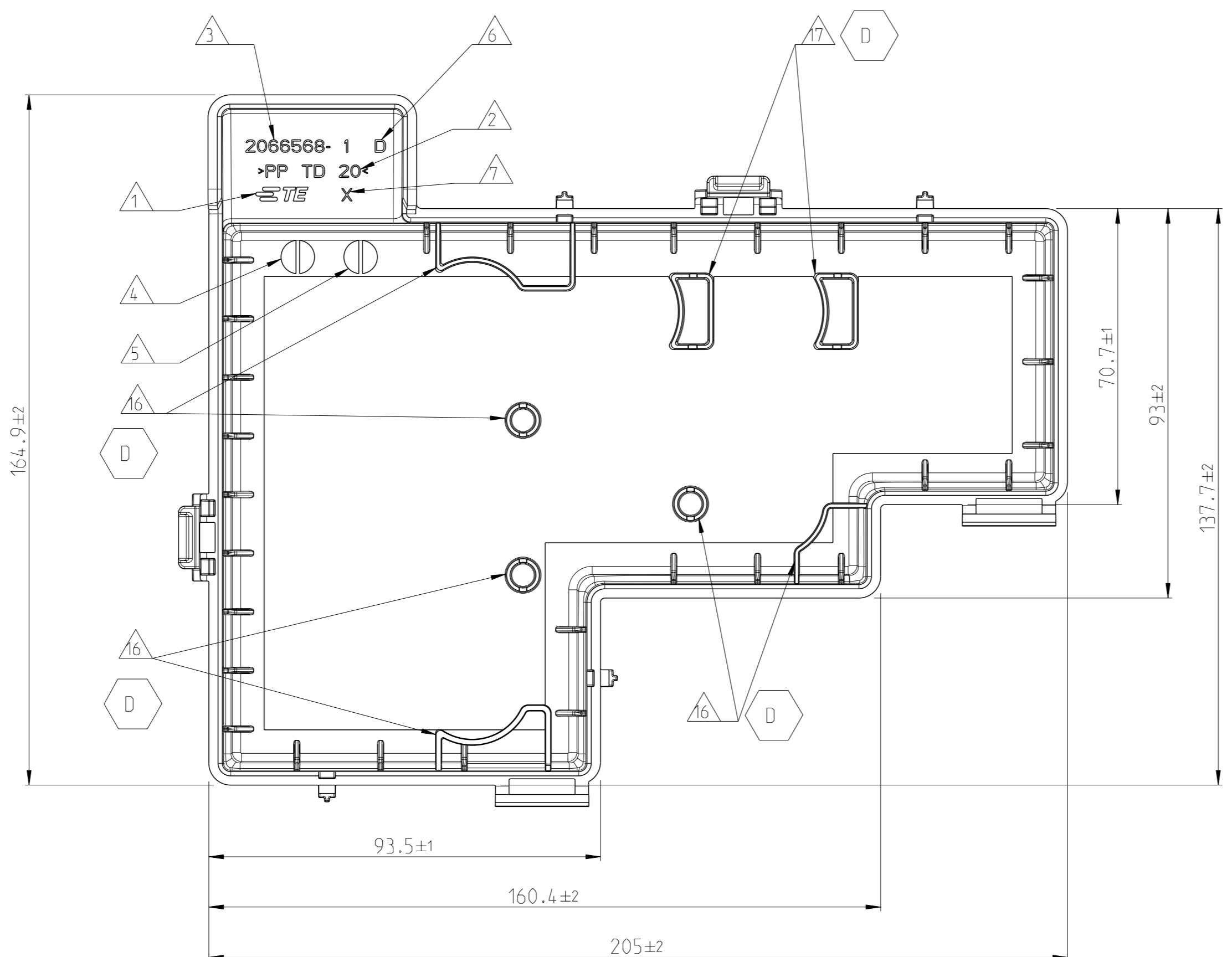
DETAIL A
(2 PLACES) 2:1



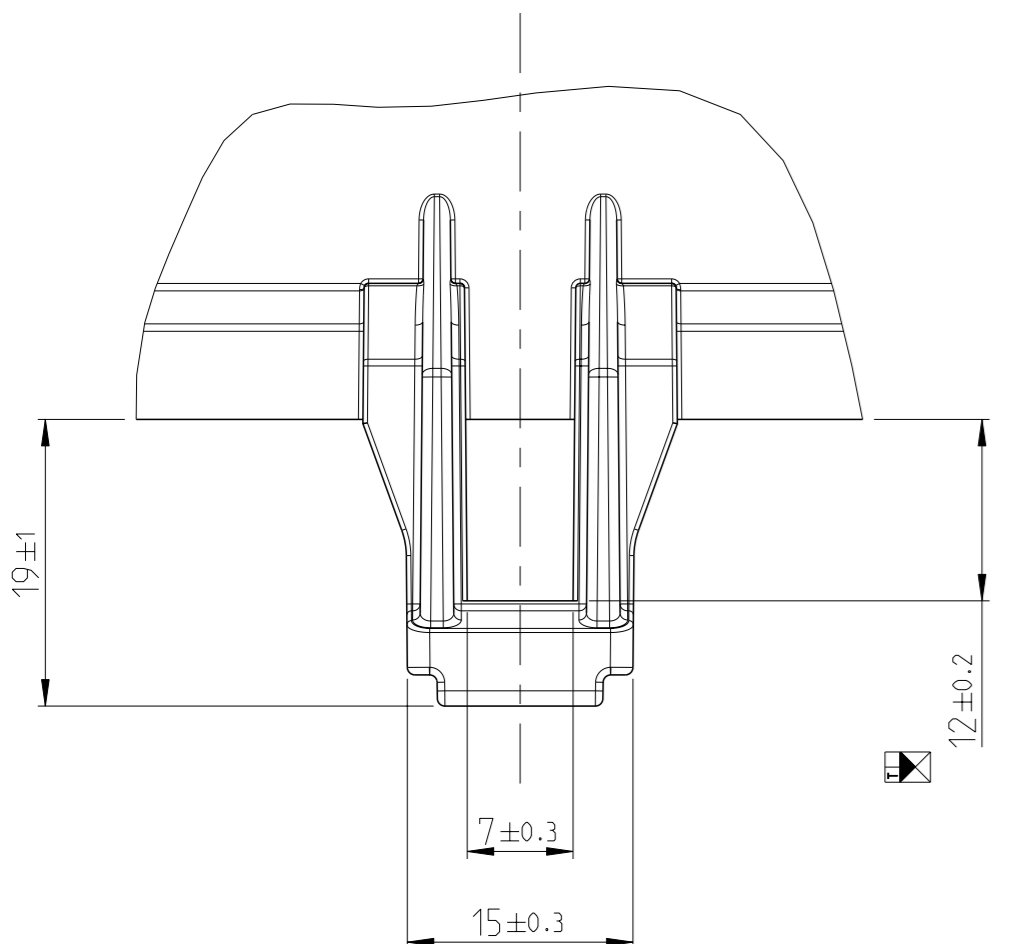
1:2



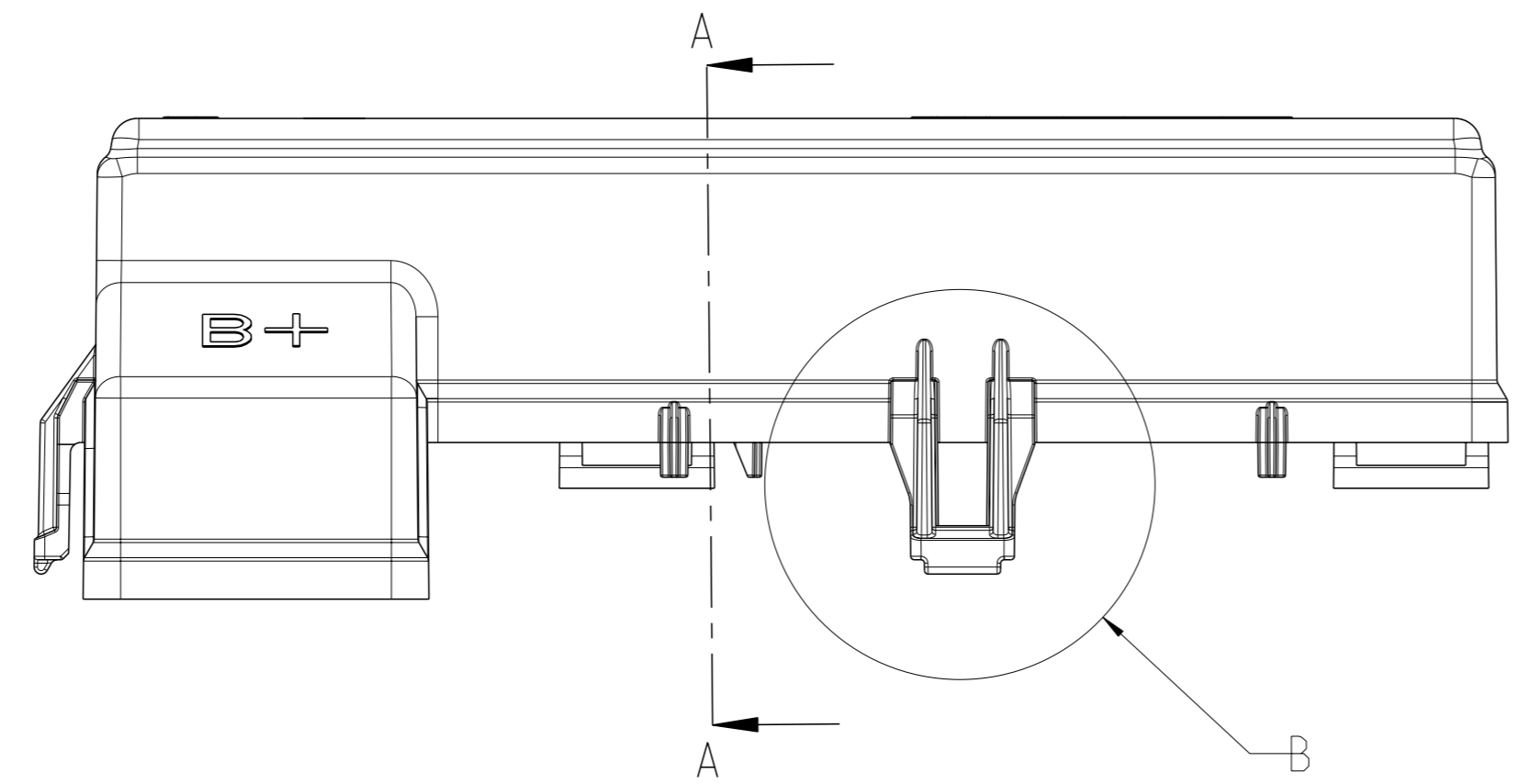
A-A



- NOTES :-
- 1 TE LOGO
 - 2 MATERIAL IDENTIFICATION.
 - 3 TE PART NO.
 - 4 PRODUCTION MONTH CODE.
 - 5 PRODUCTION YEAR CODE.
 - 6 PART REVISION.
 - 7 TOOL CAVITY MARKING.
 - 8. 15% MAX PERMITTED REGRINDING MATERIAL PROCESSED IN CLOSED LOOP.
 - 9. QIP DIMENSION.
 - 10 LETTERS/SYMBOLS 0.2MM RAISED.
 - 11 SYMBOL FOR LOCK IDENTIFICATION.
 - 12 MAHINDRA LOGO.
 - 13 SYMBOL FOR "NO WATER SPLASH".
 - 14 SYMBOL FOR "BATTERY POSITIVE"
 - 15 SURFACE 0.2MM DEPRESSED.
 - 16 MINI RELAY RIB HEIGHT A = 16.1±0.5 MM
 - 17 MICRO RELAY RIB HEIGHT A = 14.7±0.5 MM



DETAIL B
(2 PLACES) 2:1



2066568-1 D		TOP COVER, S101, ENGINE COMPT FRB	PP TD 20%	BLACK	1
PART NO		REV	DESCRIPTION	MATERIAL	COLOUR
2066568-1		D	TOP COVER, S101, ENGINE COMPT FRB	PP TD 20%	BLACK
THIS DRAWING IS A CONTROLLED DOCUMENT. DIMENSIONS: mm. TOLERANCES UNLESS OTHERWISE SPECIFIED: 1-3 PLC ±, 4-6 PLC ±, 7-9 PLC ±, 10-12 PLC ±, 13-15 PLC ±, 16-18 PLC ±, 19-21 PLC ±, 22-24 PLC ±, 25-27 PLC ±, 28-30 PLC ±. FINISH: UNLESS OTHERWISE SPECIFIED.					
MATERIAL		SEE TABLE	WEIGHT	108.4 gms	RESTRICTED TO
Customer Drawing		SCALE	1:1	SHEET	1 OF 1