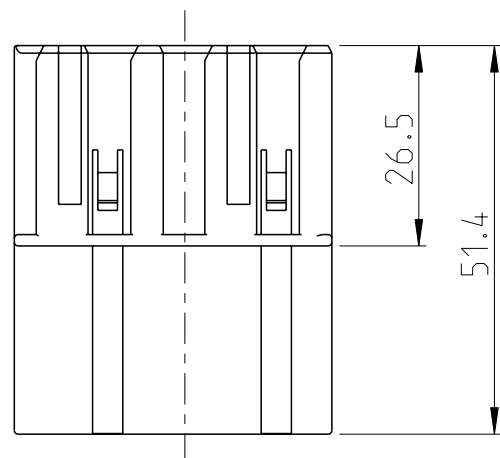
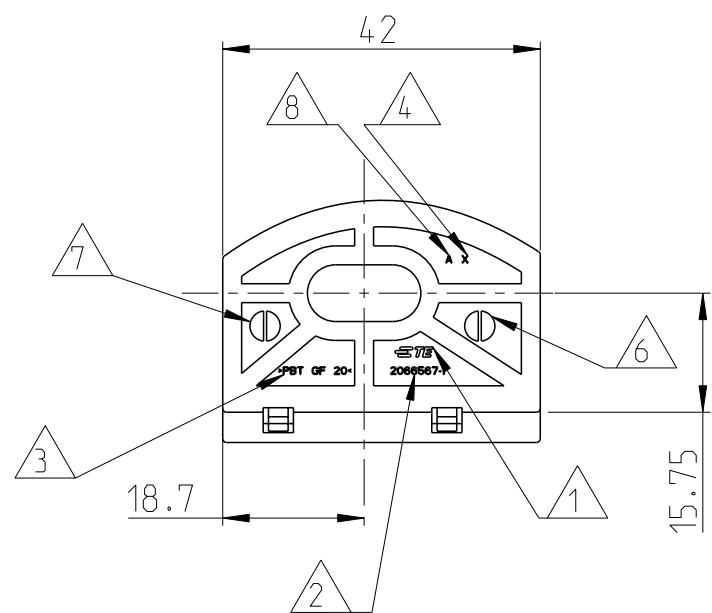


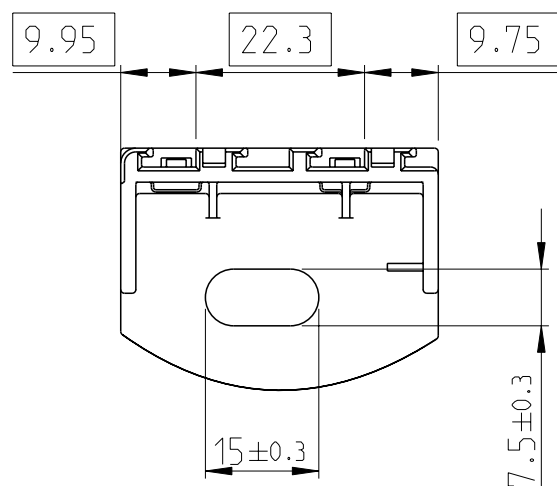
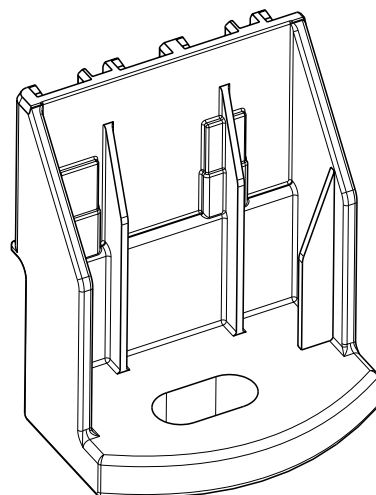
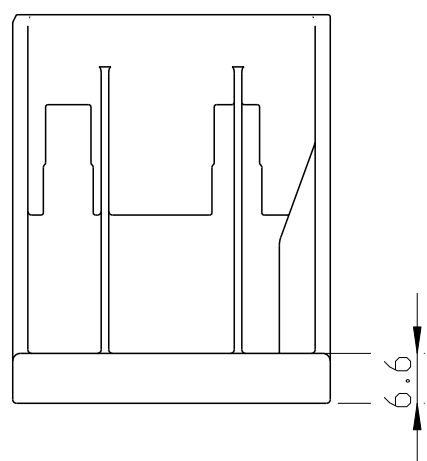
REVISIONS

P	LTR	DESCRIPTION	DATE	DWN	APVD
	A	NEW RELEASE	20NOV2013	GG	RK



NOTES:-

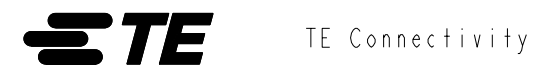
- 1 TE CONNECTIVITY LOGO.
- 2 TE PART NUMBER
- 3 MATERIAL MARKING.
- 4 MOLD CAVITY MARKING
- 5 15% MAX PERMITTED REGRIND MATERIAL PROCESSED IN CLOSED LOOP
- 6 PRODUCTION MONTH CODE
- 7 PRODUCTION YEAR CODE
- 8 TE PART REVISION



2066567-1	A	MOUNTING BRACKET, W 105, ENGINE COMPT. FRB	PBT-GF20 5	BLACK	1
PART NUMBER	TE REV	DESCRIPTION	MATERIAL	COLOUR	ITEM

THIS DRAWING IS A CONTROLLED DOCUMENT.

DWN	GEETA G	20NOV2013
CHK	KUNAL G	20NOV2013
APVD	RAMESH KUMAR	20NOV2013



DIMENSIONS:	TOLERANCES UNLESS OTHERWISE SPECIFIED:
mm	
	0 PLC ±0.5
	1 PLC ±0.5
	2 PLC ±0.5
	3 PLC ±
	4 PLC ±
	ANGLES ±°
MATERIAL	FINISH
SEE TABLE	-
-	-

NAME	MOUNTING BRACKET, W 105, ENGINE COMPT. FRB
PRODUCT SPEC	-
APPLICATION SPEC	-
WEIGHT	17.2 Gms
CUSTOMER DRAWING	

SIZE	CAGE CODE	DRAWING NO	RESTRICTED TO
A3	-	C-2066567	-
SCALE	SHEET	OF	REV
1:1	1	1	A