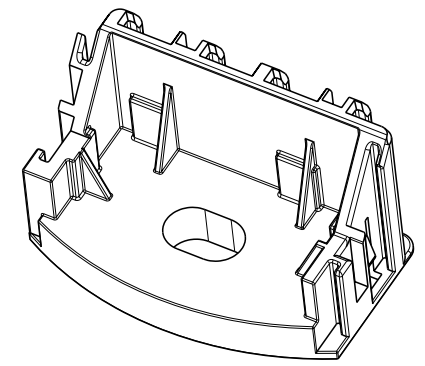
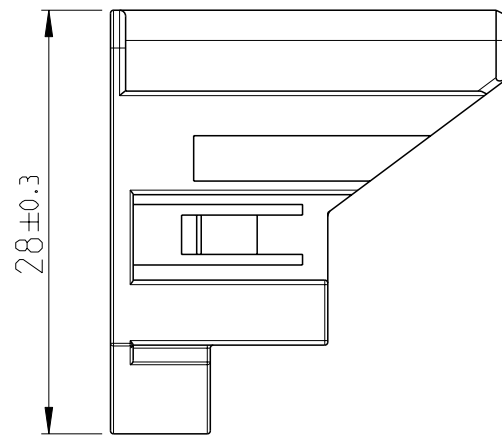
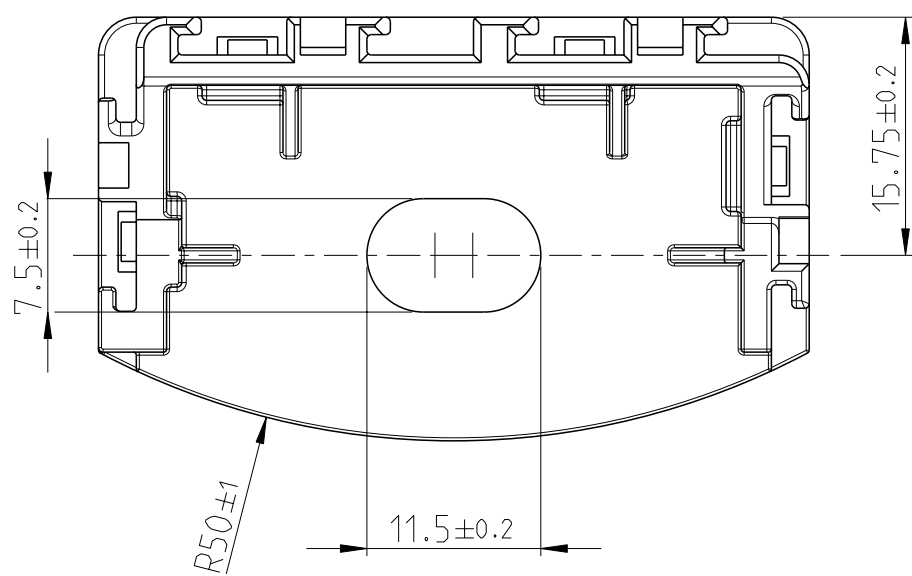


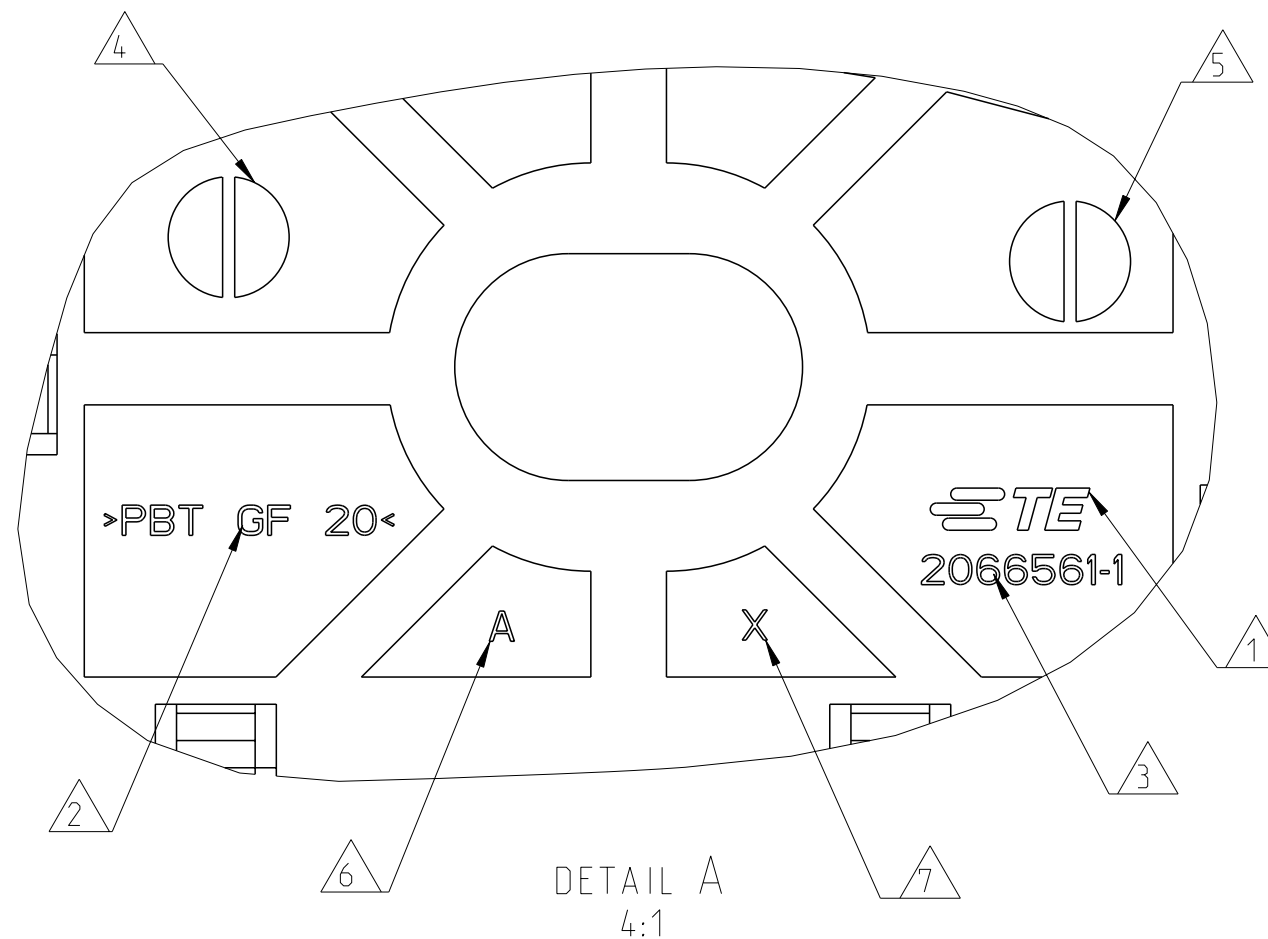
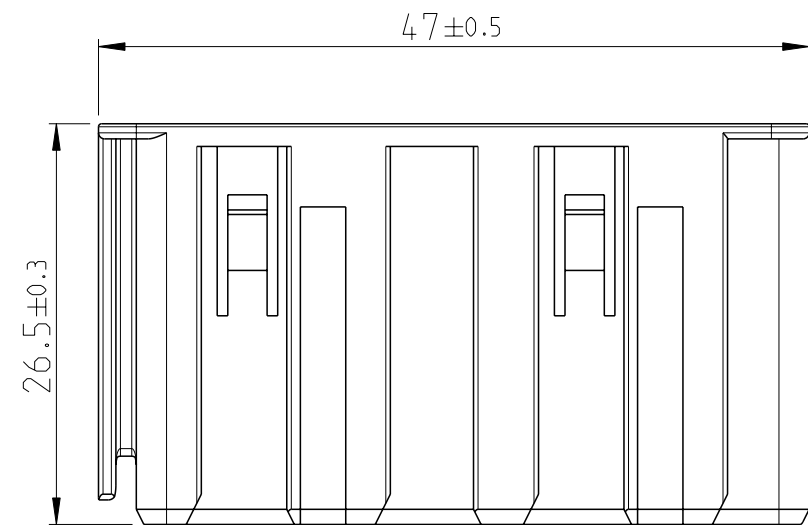
THIS DRAWING IS UNPUBLISHED. RELEASED FOR PUBLICATION 2014
 © COPYRIGHT 2014 BY - TE CONNECTIVITY INDIA PVT. LTD. ALL RIGHTS RESERVED.

REVISIONS

P	LTR	DESCRIPTION	DATE	DWN	APVD
	A	NEW RELEASE	21FEB2014	SB	RK



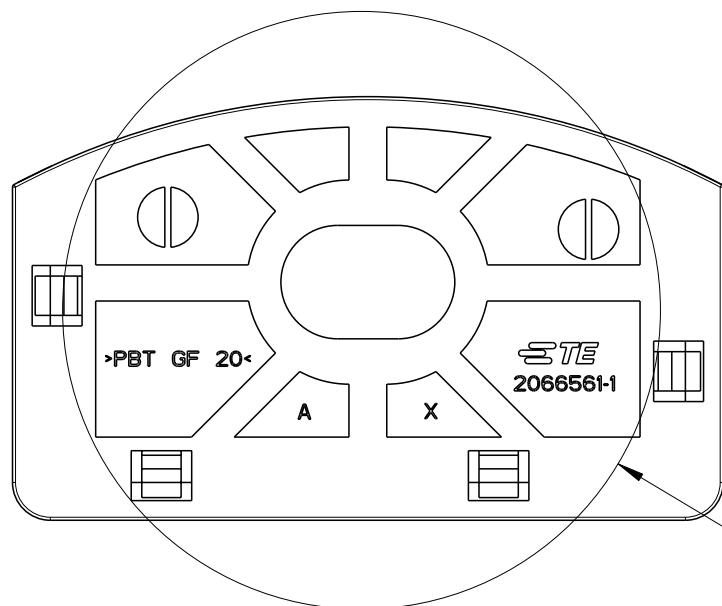
1:1



NOTES:-

- ① TE LOGO
- ② MATERIAL IDENTIFICATION
- ③ TE PART NO
- ④ PRODUCTION MONTH CODE
- ⑤ PRODUCTION YEAR CODE
- ⑥ PART REVISION
- ⑦ TOOL CAVITY MARKING
- ⑧ 15% MAX PERMITTED REGRIND MATERIAL PROCESSED IN CLOSED LOOP

DETAIL A
4:1



2066561-1	A	MOUNTING BRACKET	PBT GF20	BLACK	1
PART NO	REV	DESCRIPTION	MATERIAL	COLOUR	ITEM NO

THIS DRAWING IS A CONTROLLED DOCUMENT.		DWN	18FEB2014	TE Connectivity MOUNTING BRACKET ENGINE COMPT FRB	
DIMENSIONS: mm		CHK	18FEB2014		
TOLERANCES UNLESS OTHERWISE SPECIFIED:		APVD	18FEB2014		
0 PLC ± 1 PLC ± 2 PLC ± 3 PLC ± 4 PLC ± ANGLES ±		PRODUCT SPEC	-		
MATERIAL SEE TABLE		APPLICATION SPEC	-	NAME	-
FINISH		WEIGHT	12.42 g	SIZE	A3
-		CUSTOMER DRAWING	-	CAGE CODE	-
-		SCALE	2:1	DRAWING NO	©-2066561
-		SHEET	1 OF 1	RESTRICTED TO	-
-		REV	A		