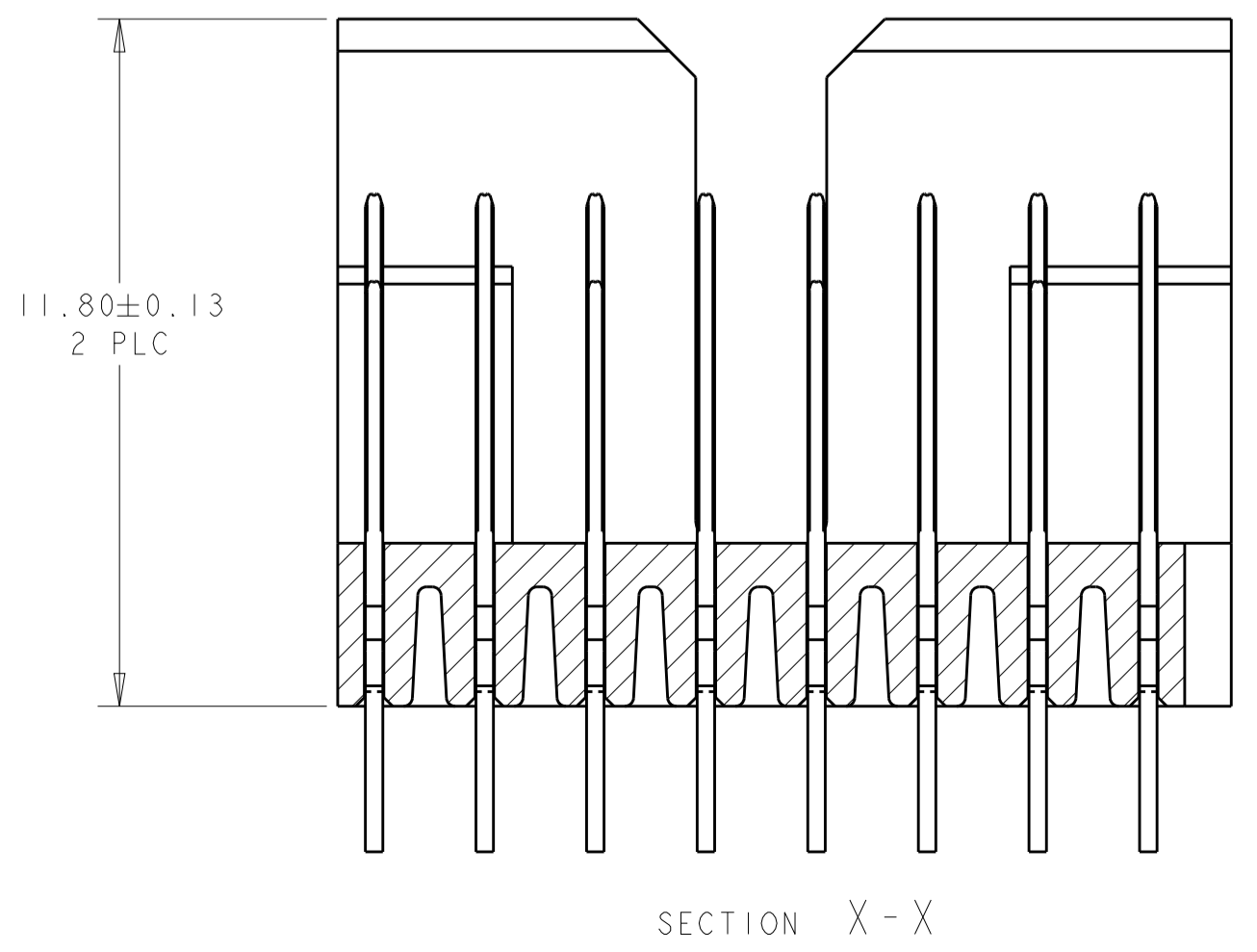
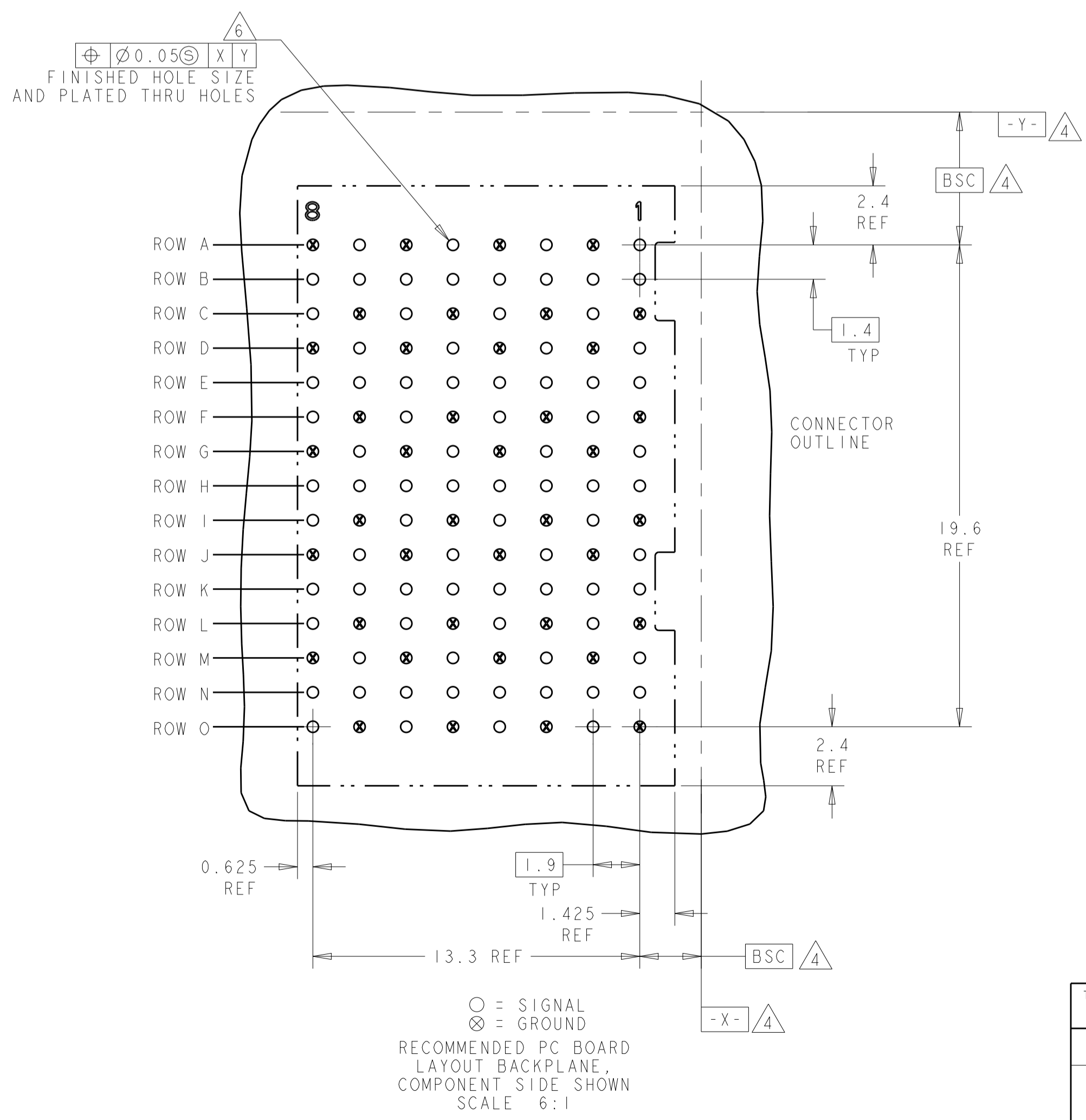
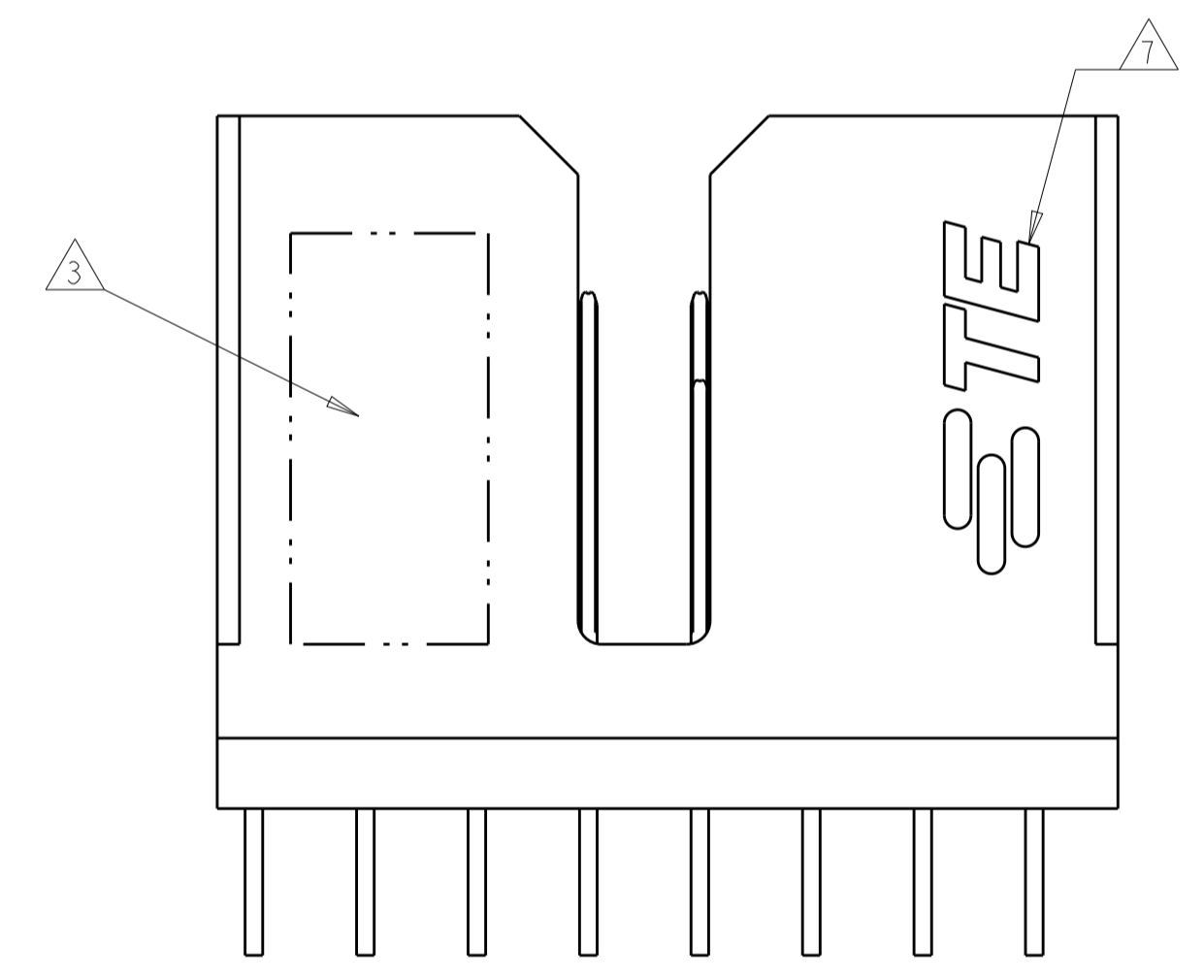


LOC	DIST	REVISIONS			
AD	00	REV	DATE	BY	CHK
		C	20MAR2013	KH	RP
		D	11JUL2019	AP	SY

- 1 MATERIAL:
CONTACT - PHOS BRONZE
HOUSING - LCP, UL 94V-0, COLOR - BLACK
- 2 FINISH:
CONTACT AREA FINISH CONFORMS TO THE REQUIREMENTS OF TE PRODUCT SPECIFICATION 108-2303; BASED ON TELCORDIA GR-1217-CORE FOR SYSTEM QUALITY LEVEL III APPLICATIONS IN CONTROLLED ENVIRONMENTS (CENTRAL OFFICE).
COMPLIANT PIN AREA - 0.5µm MIN MATTE TIN OVER 1.27µm MIN NICKEL.
- 3 CONNECTOR MARKED WITH PART NUMBER, DATE CODE AND STANDARD IN APPROXIMATE AREA SHOWN
- 4 DATUMS AND BASIC DIMENSIONS ESTABLISHED BY CUSTOMER.
- 5. CONTACT AREA LUBRICATED WITH BELLCORE APPROVED LUBRICANT, TECHNICAL REFERENCE GR-1217-CORE, ISSUE 1, NOVEMBER 1995.
- 6 REFERENCE APPLICATION SPEC 114-13202 FOR RECOMMENDED PLATED THRU HOLE DIAMETER AND PLATING THICKNESSES.
- 7 SHOWN LOGO OR OTHER TE OWNED LOGOS IN APPROXIMATE AREA.

		CONTACT LAYOUT							
		A = 4.50mm (DIM M)							
		B = 3.70mm (DIM M)							
		G = GROUND 6.00mm							
		COLUMNS							
		8	7	6	5	4	3	2	1
ROWS	A	G	A	G	A	G	A	G	B
	B	A	A	A	A	A	A	A	B
	C	A	G	A	G	A	G	A	G
	D	G	A	G	A	G	A	G	A
	E	A	A	A	A	A	A	A	A
	F	A	G	A	G	A	G	A	G
	G	G	A	G	A	G	A	G	A
	H	A	A	A	A	A	A	A	A
	I	A	G	A	G	A	G	A	G
	J	G	A	G	A	G	A	G	A
	K	A	A	A	A	A	A	A	A
	L	A	G	A	G	A	G	A	G
	M	G	A	G	A	G	A	G	A
	N	A	A	A	A	A	A	A	A
	O	A	G	A	G	A	G	A	G



THIS DRAWING IS A CONTROLLED DOCUMENT.

DIMENSIONS:	TOLERANCES UNLESS OTHERWISE SPECIFIED:	OWN: B. CARBO 06APR2009	NAME: HEADER ASSEMBLY, OPEN ENDED, 5 PAIR, 8 COLUMN, SHORT PIN SELECT LOAD, NOTCHED WALL
mm	0 PLC ±	CHK: R. PATTERSON 06APR2009	SIZE: A1
	1 PLC ±	APVD: R. PATTERSON 06APR2009	CAGE CODE: 2065799
	2 PLC ±	PRODUCT SPEC:	RESTRICTED TO:
	3 PLC ±	APPLICATION SPEC:	
	4 PLC ±	WEIGHT:	
	ANGLES ±	CUSTOMER DRAWING	SCALE: 2:1 SHEET 1 OF 1 REV D