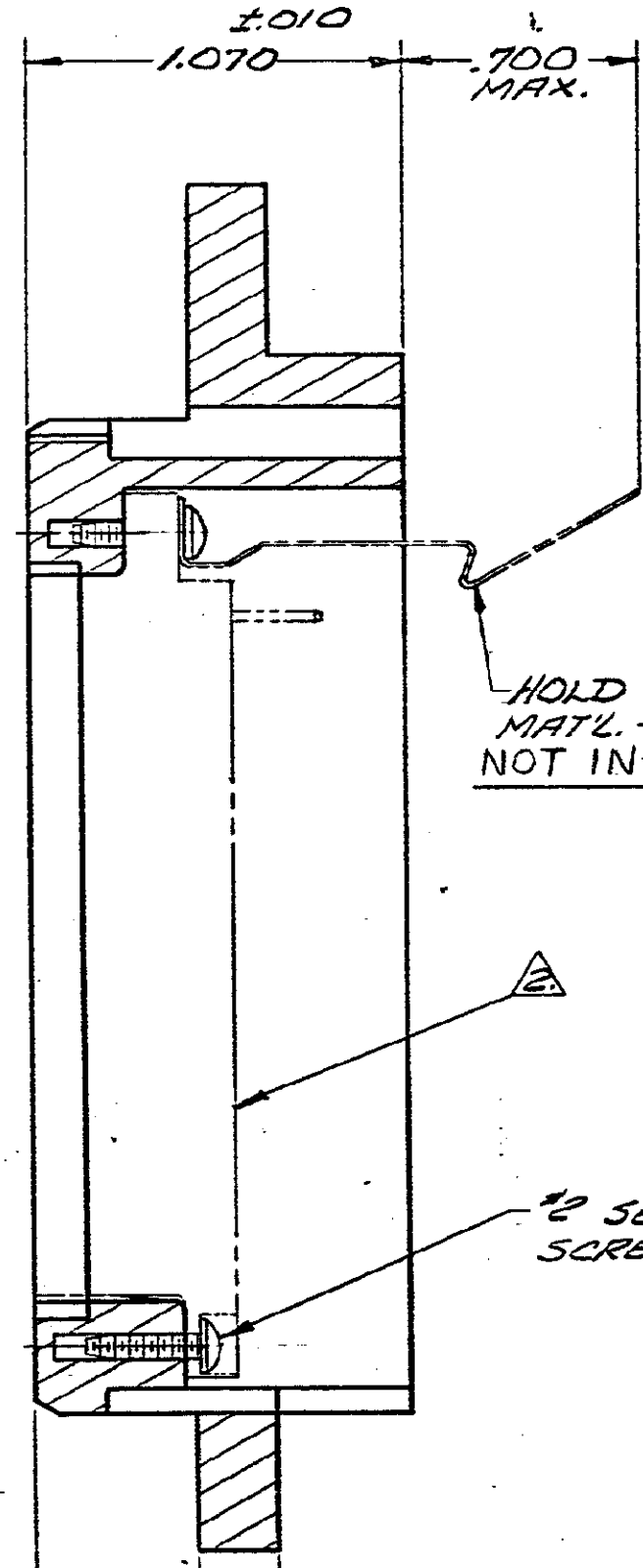
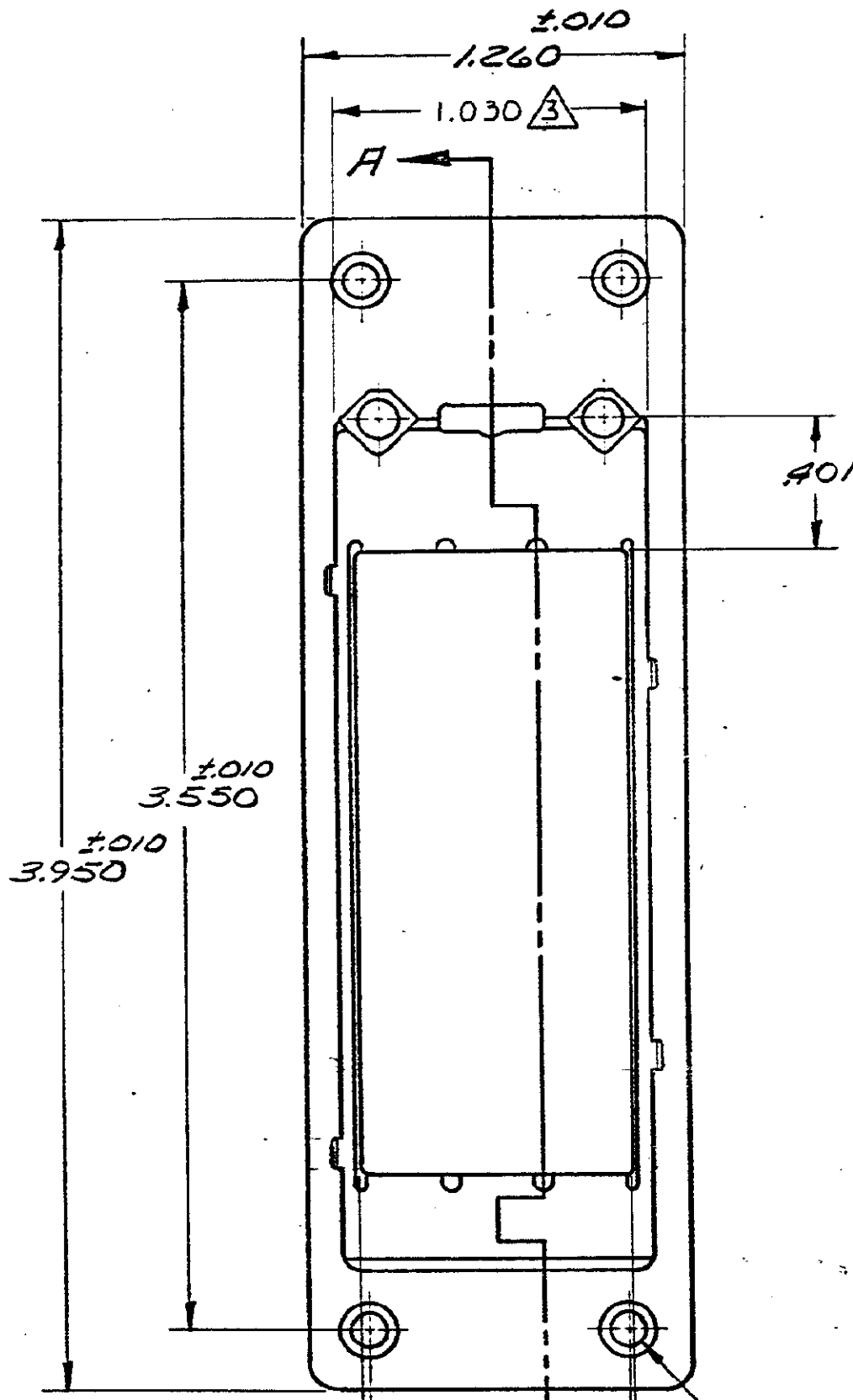


DRAWING MADE IN THIRD ANGLE PROJECTION

© COPYRIGHT 1973 BY AMP INCORPORATED, HARRISBURG, PA.  
 ALL INTERNATIONAL RIGHTS RESERVED. AMP INCORPORATED PRODUCTS  
 COVERED BY U. S. AND FOREIGN PATENTS AND/OR PATENTS PENDING.

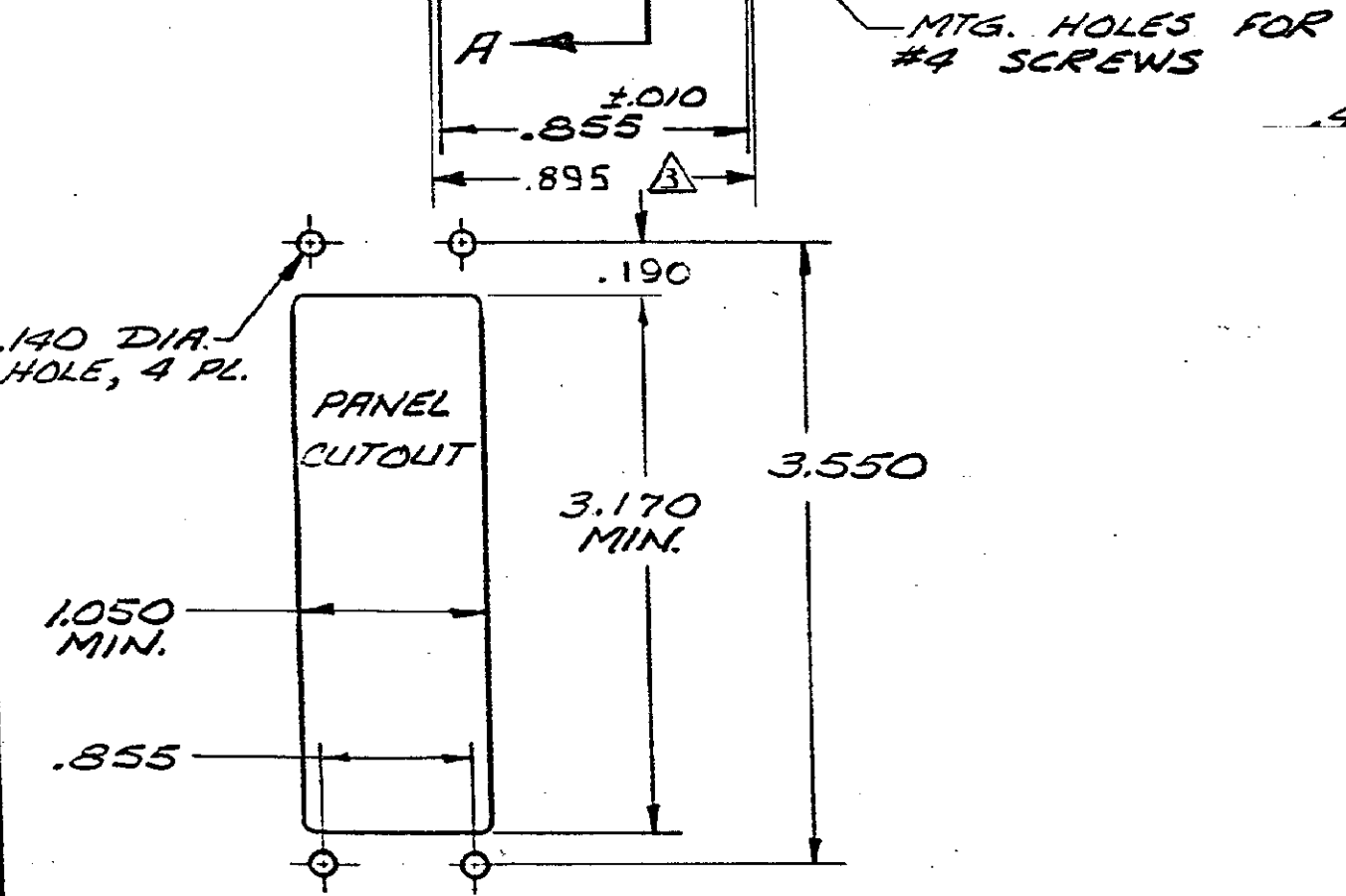
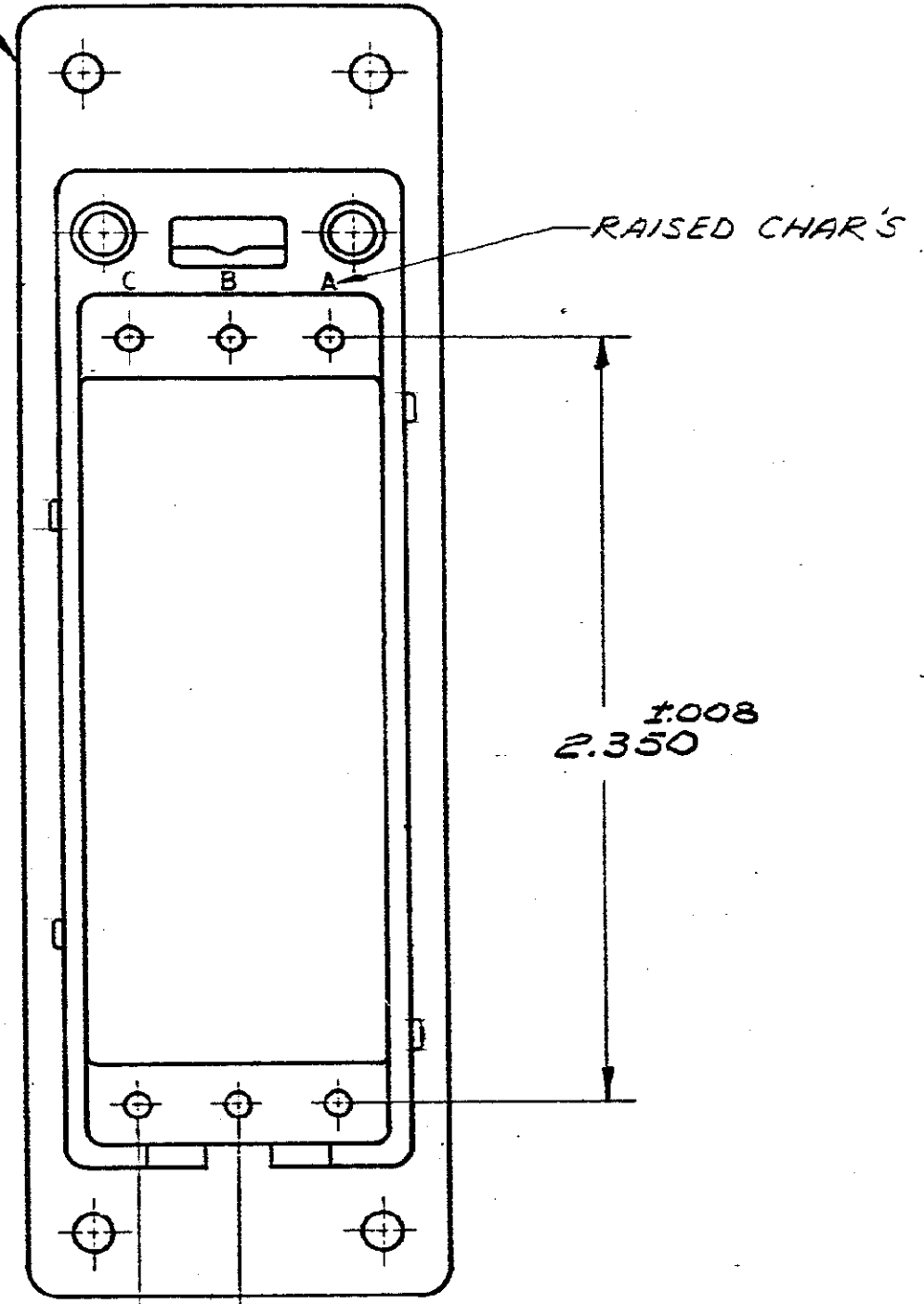
206536-1 I. AS SHOWN

REVISIONS					
P	F	ZONE	LTR	DESCRIPTION	DATE APPROVED
				D RELEASED	D.D. 11/20/73
✓			A	REVISED PER ECN G-796	1/8 9/5/77
✓			B	REV. PER ECN C-981	J.M. 11/5/74
✓			C	REV. PER ECN D-374	C.R. 11-7-74
✓			D	REV. PER ECN F-013	J.L.S. 5-10-77



RECEPTACLE HOUSING  
 MATL. - GLASS REINFORCED NYLON, BLACK.

HOLD DOWN CLIP  
 MATL. - STAINL. ST.  
 NOT INCLUDED IN KIT.



1. PARTS PACKAGED UNASSEMBLED.
2. RECEPTACLE MODULE ASSEMBLY SHOWN FOR REFERENCE ONLY, MUST BE ORDERED SEPARATELY.
3. APPLIES TO ENDS OF PRODUCT. DIMENSIONS MAY BE .875 & .997 RESPECTIVELY AT CENTER OF PART.

UNLESS OTHERWISE SPECIFIED DIMENSIONS ARE IN INCHES. TOLERANCES ON: DECIMALS ±.005 ANGLES ±#		CONTRACT NO		PART NO	
MATERIAL SEE CALLOUT		DR <i>[Signature]</i> 11/20/73		AMP INCORPORATED Harrisburg, Pa.	
FINISH #		CHK <i>[Signature]</i> 11/20/73		NAME RECEPTACLE KIT ZERO ENTRY SIZE I (3,40 POS. MODULES) STANDARD VERSION	
		APPD <i>David Chandy</i> 11/20/73		SIZE CODE IDENT NO DRAWING NO	
		APPD <i>[Signature]</i> 11/20/73		C 00779 206536	
		DSGN APPD		SCALE 2:1 SHEET 1 OF 1	
		OTHER APPD		CUSTOMER DRAWING	