

THIS DRAWING IS UNPUBLISHED. RELEASED FOR PUBLICATION 20  
 © COPYRIGHT 20 BY TYCO ELECTRONICS CORPORATION. ALL RIGHTS RESERVED.

LOC	DIST	REVISIONS			
P	LTR	DESCRIPTION	DATE	DWN	APVD
CE	00	A	ECR-09-010795	14MAY2009	DHR SB

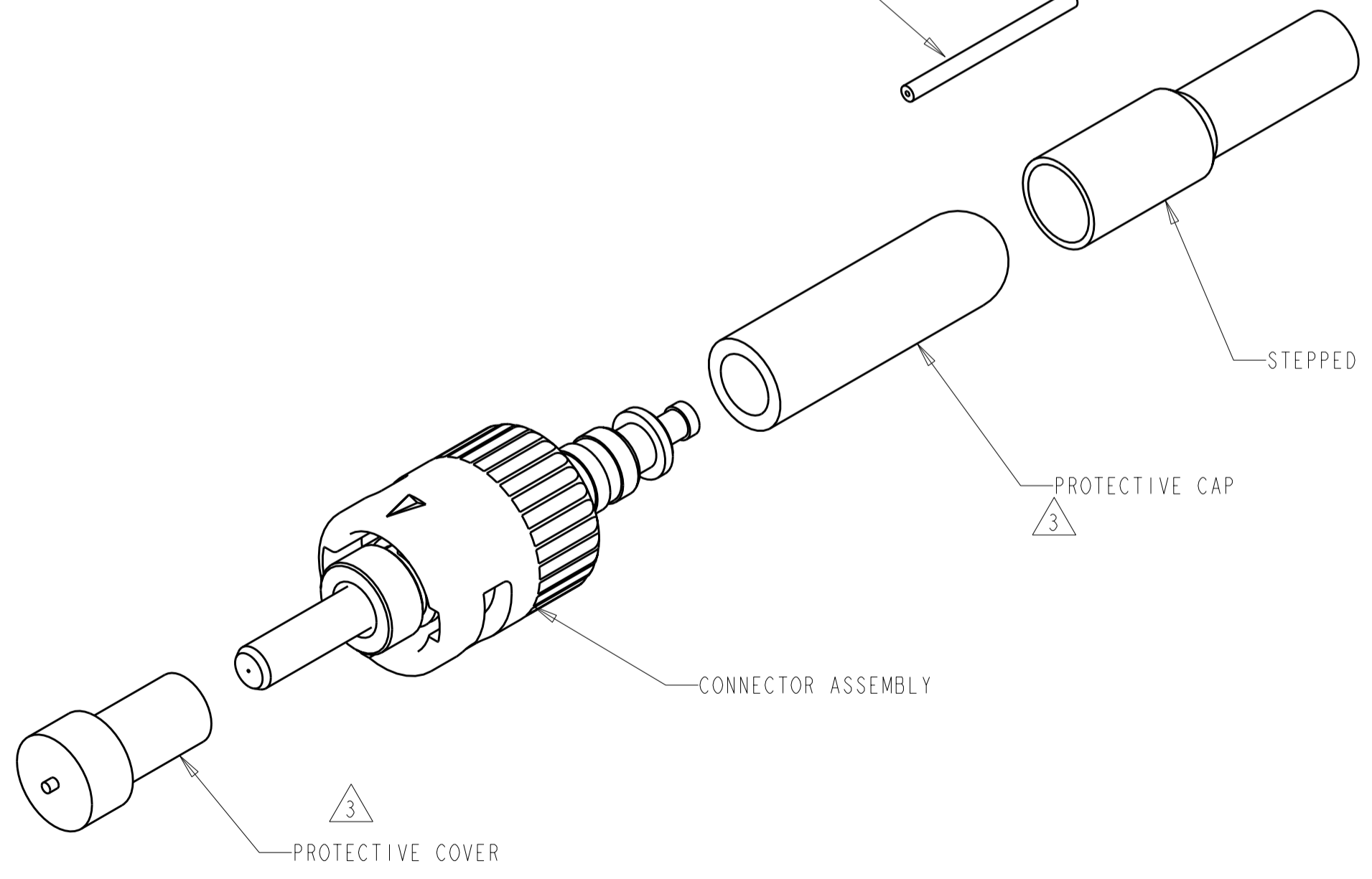
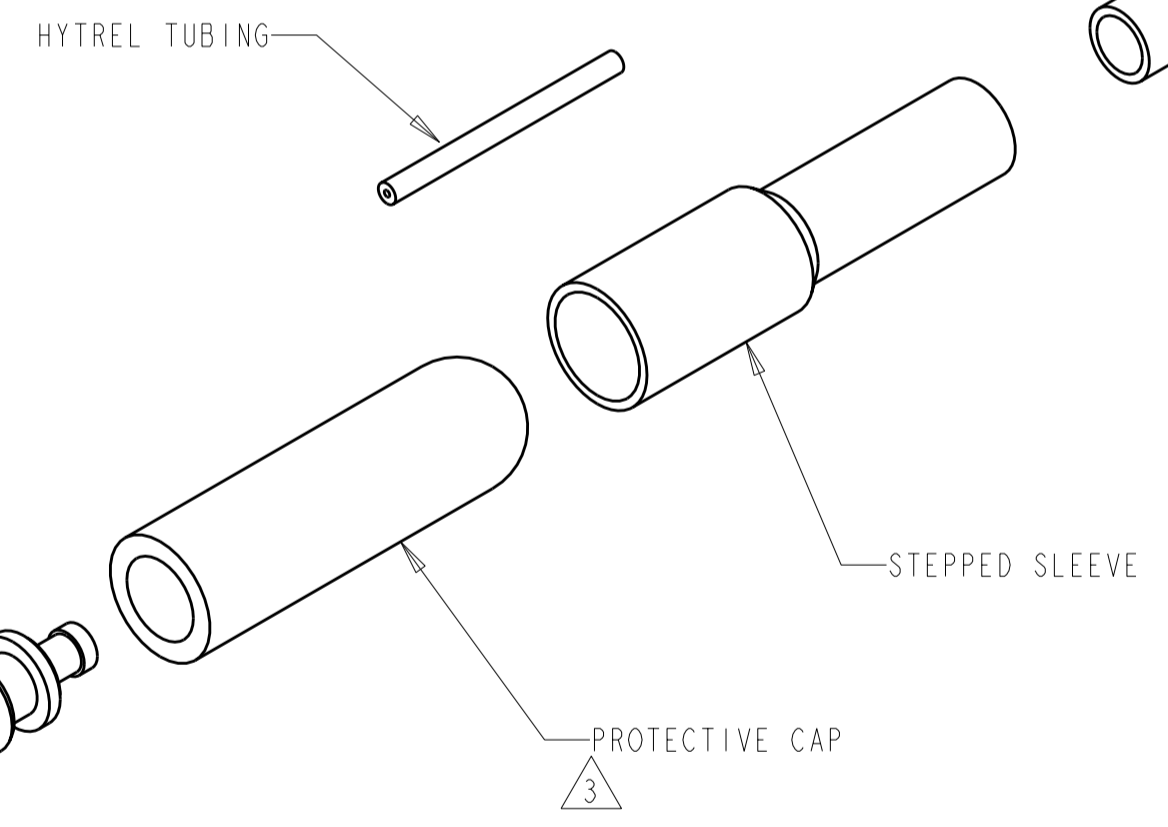
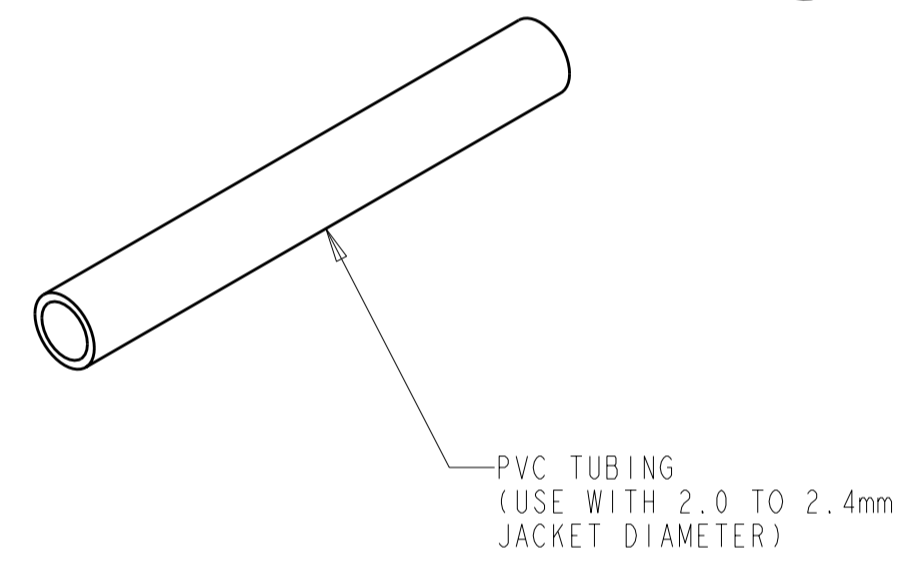
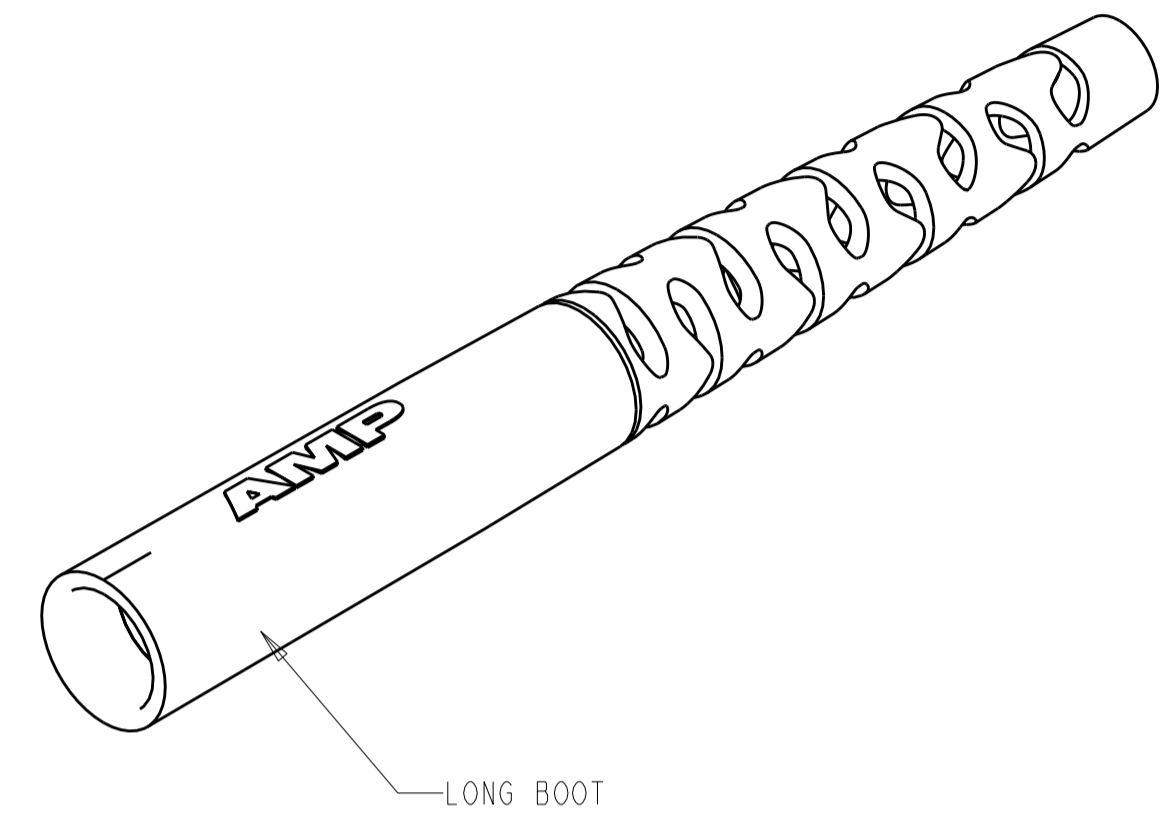
- 1 MATERIAL:  
 CONNECTOR ASSY  
 REAR BODY: ALUMINUM ALLOY  
 PLUNGER: ALUMINUM ALLOY  
 FERRULE: CERAMIC  
 COUPLING NUT: ZINC, NICKEL PLATED  
 INTERNAL COMPONENTS: PEI, COLOR: NATURAL  
 SPRING: STAINLESS STEEL  
 PROTECTIVE COVER: LDPE, COLOR: BLACK, NON-FR  
 PROTECTIVE CAP: VINYL, COLOR: BLACK  
 CRIMP EYELET: COPPER, NICKEL PLATED  
 POLYMER TUBING: HYTREL, COLOR: WHITE  
 PVC, COLOR: BLACK  
 LONG BOOT: POLYPROPYLENE, COLOR: SEE TABLE\*  
 \*UL94 V-0 RATED AT QUALIFYING THICKNESS.

2. THIS KIT WILL TERMINATE:  
 900um TIGHT BUFFERED FIBER  
 250um COATED FIBER  
 2.0-2.4mm JACKETED CABLE

3 PROTECTIVE CAP AND COVER ARE SHOWN REMOVED FROM CONNECTOR ASSEMBLY FOR CLARITY ONLY.

4. TIGHT BUFFER TO BE 900±50um.

5. INSTRUCTION SHEET: 408-10272 AVAILABLE FOR DOWNLOAD AT [www.tycoelectronics.com/documents](http://www.tycoelectronics.com/documents)



BLACK	2064757-2
BEIGE	2064757-1
BOOT COLOR	PART NUMBER

THIS DRAWING IS A CONTROLLED DOCUMENT FOR TYCO ELECTRONICS CORPORATION. IT IS SUBJECT TO CHANGE AND THE CONTROLLING ENGINEERING ORGANIZATION SHOULD BE CONTACTED FOR THE LATEST REVISION.		DWN D. ERDMAN 4FEB2009	AMP Incorporated Harrisburg, PA 17105-3608	
DIMENSIONS: mm		CHK D. ROHDE 4FEB2009	NAME CONNECTOR KIT, LightCrimp Plus, ST STYLE CERAMIC, 62.5/125um	
TOLERANCES UNLESS OTHERWISE SPECIFIED: 0 PLC ± 1 PLC ±0.1 2 PLC ±0.02 3 PLC ±0.005 4 PLC ±0.0005 ANGLES ± FINISH		APVD S. BUCHTER 4FEB2009	SIZE A2	CAGE CODE 00779
MATERIAL		PRODUCT SPEC -	DRAWING NO 2064757	RESTRICTED TO -
1		APPLICATION SPEC -	SCALE 4:1	SHEET 1 OF 1
CUSTOMER DRAWING		WEIGHT -	REV A	