

THIS DRAWING IS UNPUBLISHED.
 DIFFUSION RESTREINTE

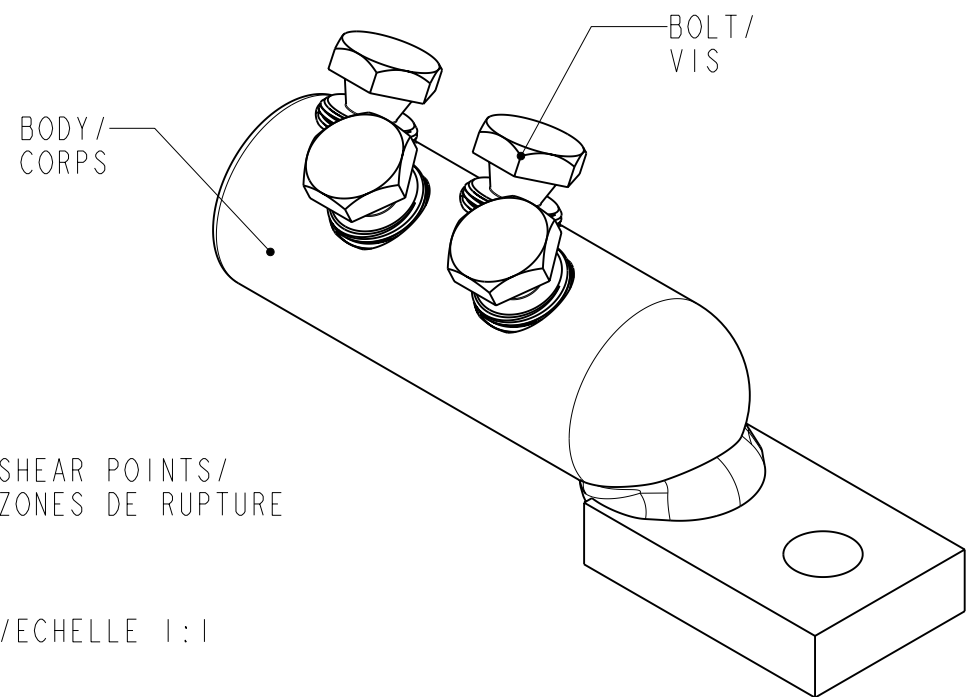
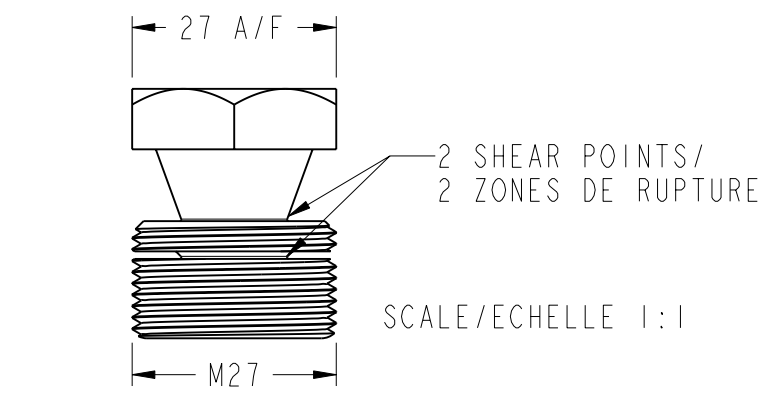
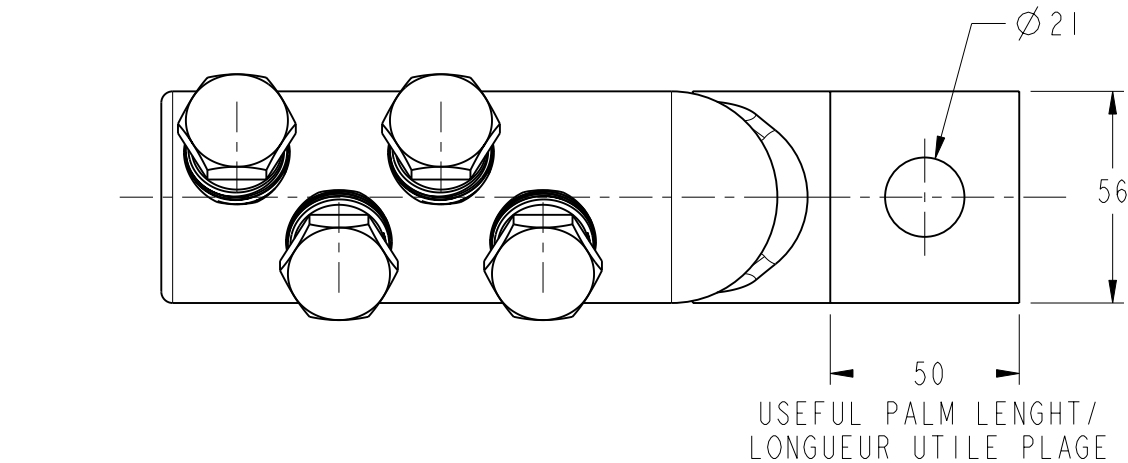
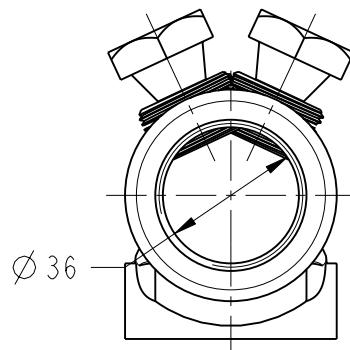
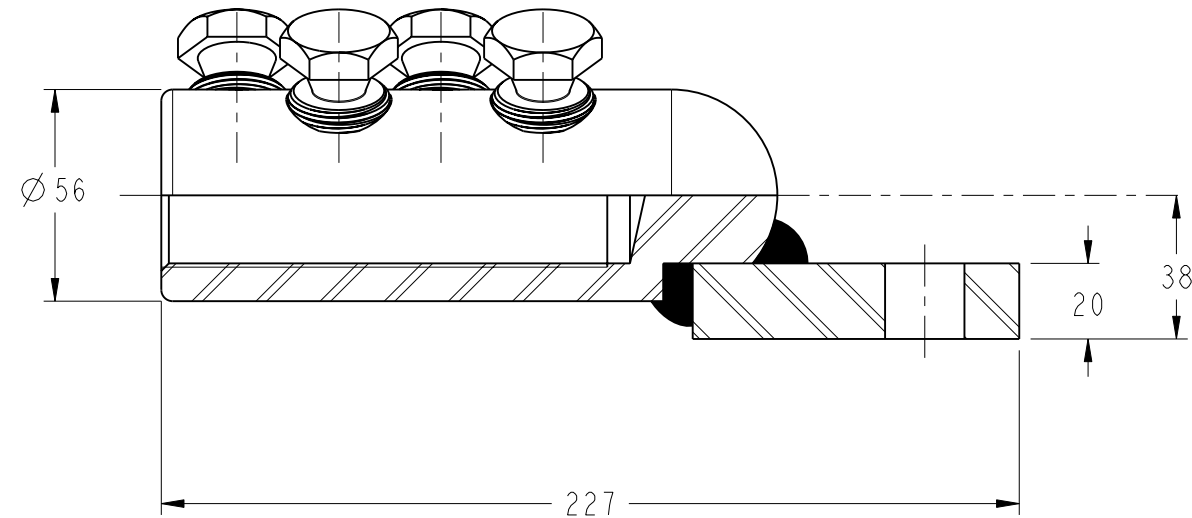
RELEASÉ FOR PUBLICATION
 LIBRE A LA DIFFUSION

20

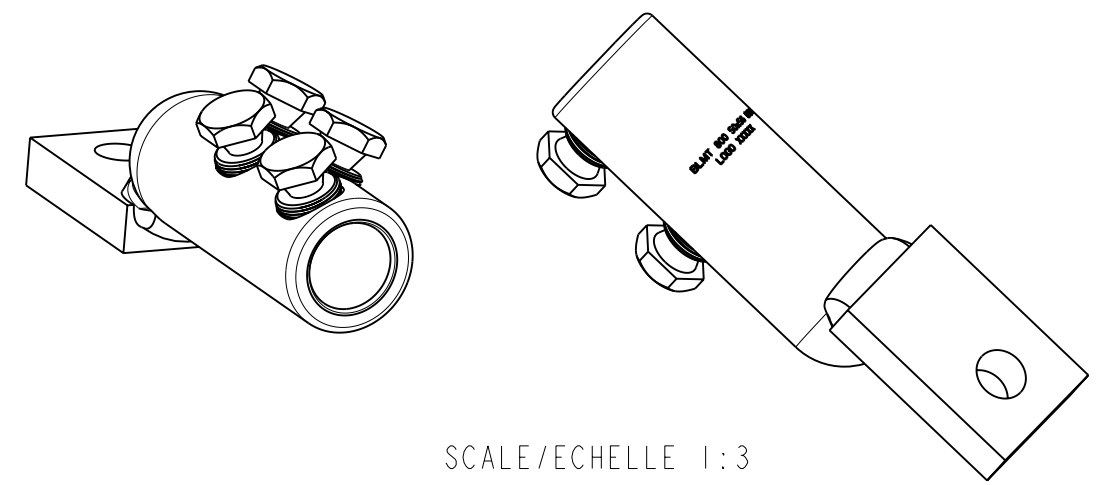
© COPYRIGHT 20 BY TYCO ELECTRONICS CORPORATION. ALL RIGHTS RESERVED.
 TOUS DROITS RESERVES

LOC	DIST	REVISIONS				
P	LTR REV	DESCRIPTION MODIFICATIONS	DATE	DWN DESS.	APVD APP.	
FH	00					
	A	CREATION	18DEC2008	LP	AG	
	B	ECR-10-013808	29JUN2010	LP	AG	

BLMT 800 50x56 D21	2062425-1
DESCRIPTION	PART NUMBER



	AL				CU	
	ROUND STRANDED /Rond câblé /RM	ROUND SOLID /Rond solide /RE	SECTOR STRANDED /Sectoral câblé /SM	SECTOR SOLID /Sectoral câblé /SE	ROUND STRANDED /Rond câblé /RM	SECTOR STRANDED /Sectoral câblé /SM
CONDUCTOR CROSS-SECTION /Section conducteur /Querschnittsbereich mm ²	800	800			800	
CONDUCTOR DIAMETER /Diamètre conducteur /Leiterdurchmesser mm	Ø 32.5 - Ø 35.3	Ø 30.9 - Ø 32.1			Ø 32.5 - Ø 35.3	



THIS DRAWING IS A CONTROLLED DOCUMENT FOR TYCO ELECTRONICS CORPORATION IT IS SUBJECT TO CHANGE AND THE CONTROLLING ENGINEERING ORGANIZATION SHOULD BE CONTACTED FOR THE LATEST REVISION.
 CE PLAN EST UN DOCUMENT CONTROLÉ PAR TYCO ELECTRONICS CORPORATION IL EST SUSCEPTIBLE D'ÊTRE REVISÉ. POUR OBTENIR LA DERNIÈRE REVISION, CONTACTER LE SERVICE TECHNIQUE DE TYCO ELECTRONICS SIMEL SAS, 21220 GEVREY-CHAMBERTIN, FRANCE.

DIMENSIONS: mm	TOLERANCES UNLESS OTHERWISE SPECIFIED: TOLERANCES NON SPECIFIEES (SUIV. NO. DE DECIMALES): 0 PLC/DEC: ±0 1 PLC/DEC: ±0 2 PLC/DEC: ±0 3 PLC/DEC: ±0 4 PLC/DEC: ±0 ANGLES ±
MATERIAL MATIERE AL ALLOY	FINISH FINITION TINNED

DWN/DESSINE F. MOIROUD	14MAR2008		SIMEL PRODUCTS		
CHK/VERIFIE L. MAINIER			NAME TITRE BLMT 800 50x56 D21		
APVD/APPROUVE G. PORCHERAY		SIZE FORMAT A3	CAGE CODE -	DRAWING NO No PLAN C=2062425	RESTRICTED TO RESERVE A -
PRODUCT SPEC SPEC. PRODUIT -	APPLICATION SPEC SPEC. APPLICATION IEC 61238	WEIGHT MASSE APPROX. 1030 g	CUSTOMER DRAWING /PLAN CLIENT	UNIQUEMENT POUR REFERENCE	SCALE ECHELLE : 2
		SHEET FEUILLE 1	OF DE 1	REV B	