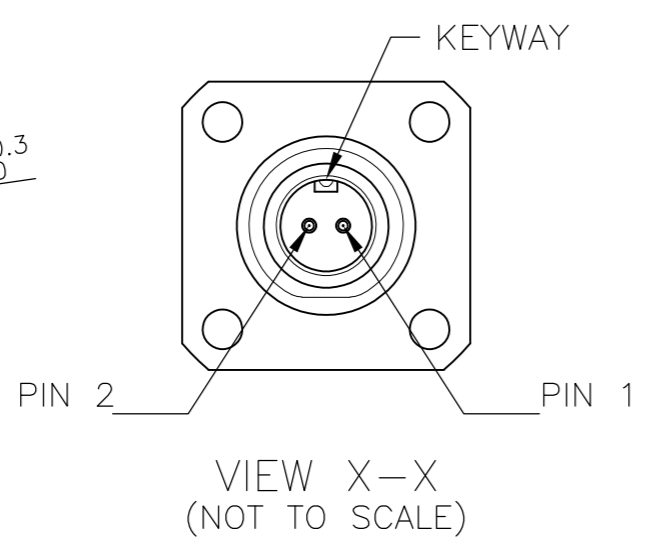
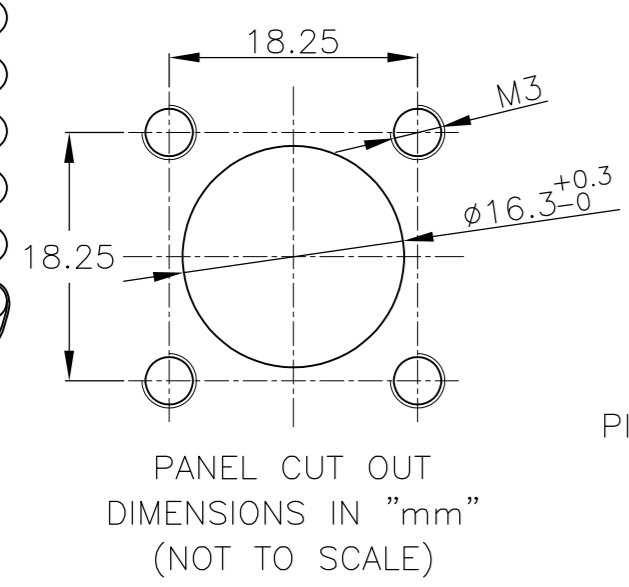
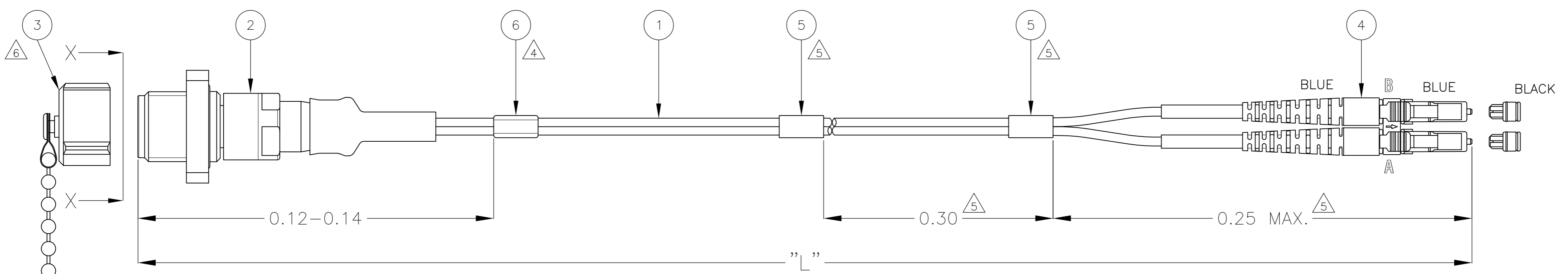


LOC	DIST	REVISIONS			
P	LTR	DESCRIPTION	DATE	DWN	APVD
H	-	C	ECR-11-005403	01APR2011	RC AH



FIBER CONNECTIVITY	
ODC SOCKET	LC CONN.
PIN 1	A
PIN 2	B



NOTES:

- REFER TO TE CONNECTIVITY CUSTOMER DRAWING 2064160 FOR CABLE ASSEMBLY LOSS AND WAVELENGTHS THAT CABLE ASSEMBLY LOSS WILL BE TESTED TO
- MINIMUM RETURN LOSS: 45 dB FOR BOTH ODC AND LC DUPLEX CONNECTOR RETURN LOSS WILL BE TESTED AT 1310 nm AND 1550 nm WAVELENGTHS
- STANDARD LENGTHS AND LENGTH TOLERANCE ACC. TO TE CONNECTIVITY CUSTOMER DRAWING 1985945
- INFORMATION ON LABEL SEE DETAIL:
  - BARCODE
  - UNIQUE SERIAL NUMBER
  - ASSEMBLY LENGTH
  - TE CONNECTIVITY PART NUMBER
  - TE CONNECTIVITY ORDER NUMBER
- \* FOR L < 0.4 METER LABEL IS PLACED INSIDE OR WITH THE UNIT PACKAGE
- ONE PIECE OF ITEM 5 IS PLACED AT THE BREAKOUT POINT OF THE ASSEMBLY OTHER PIECES REPEATED AT APPROXIMATELY 0.30 METER FROM EACH OTHER
- \* BREAKOUT DIMENSION DOES NOT APPLY FOR L < 0.4 METER
- THE DUST CAP CHAIN WILL NOT BE ATTACHED TO THE CABLE

STANDARD LENGTHS ACCORDING TO CUSTOMER DRAWING 1985945	
PART NUMBER	"L" (meter) <sup>3</sup>
X-2061218-Y	X.Y0

Qty	Description	Item
1	FOAC INFORMATION LABEL	6
5	FOAC EXPANDABLE TUBING, BLACK	5
1	LC DUPLEX CONNECTOR ASSEMBLY, SINGLE MODE, BLUE	4
1	FOAC ODC CAP SOCKET PLASTIC WITH CHAIN	3
1	FOKIT ODC SOCKET ASSEMBLY, 2 FIBER, SINGLE MODE	2
L	FOCAB ODC 1.9 mm 2FOLD, SINGLE MODE 9/125, YELLOW	1

ODC IS A TRADEMARK OF HUBER & SUHNER AG CORPORATION

THIS DRAWING IS A CONTROLLED DOCUMENT.		DWN R. COOLEN 12JUN2009														
DIMENSIONS: METERS		CHK A. HENGELMOLEN 12JUN2009														
TOLERANCES UNLESS OTHERWISE SPECIFIED:		APVD A. HENGELMOLEN 12JUN2009	NAME FIBER OPTIC ODC LEAD 2 FOLD SOCKET - LC DUPLEX SINGLE MODE 9/125													
<table border="1"> <tr><td>0 PLC</td><td>± -</td></tr> <tr><td>1 PLC</td><td>± -</td></tr> <tr><td>2 PLC</td><td>± -</td></tr> <tr><td>3 PLC</td><td>± -</td></tr> <tr><td>4 PLC</td><td>± -</td></tr> <tr><td>ANGLES</td><td>± -</td></tr> </table>		0 PLC	± -	1 PLC	± -	2 PLC	± -	3 PLC	± -	4 PLC	± -	ANGLES	± -	PRODUCT SPEC -	SIZE A2	CAGE CODE 00779
0 PLC	± -															
1 PLC	± -															
2 PLC	± -															
3 PLC	± -															
4 PLC	± -															
ANGLES	± -															
MATERIAL -		FINISH -	WEIGHT -	DRAWING NO C=2061218												
CUSTOMER DRAWING			SCALE NTS	SHEET 1 of 1												

2061218