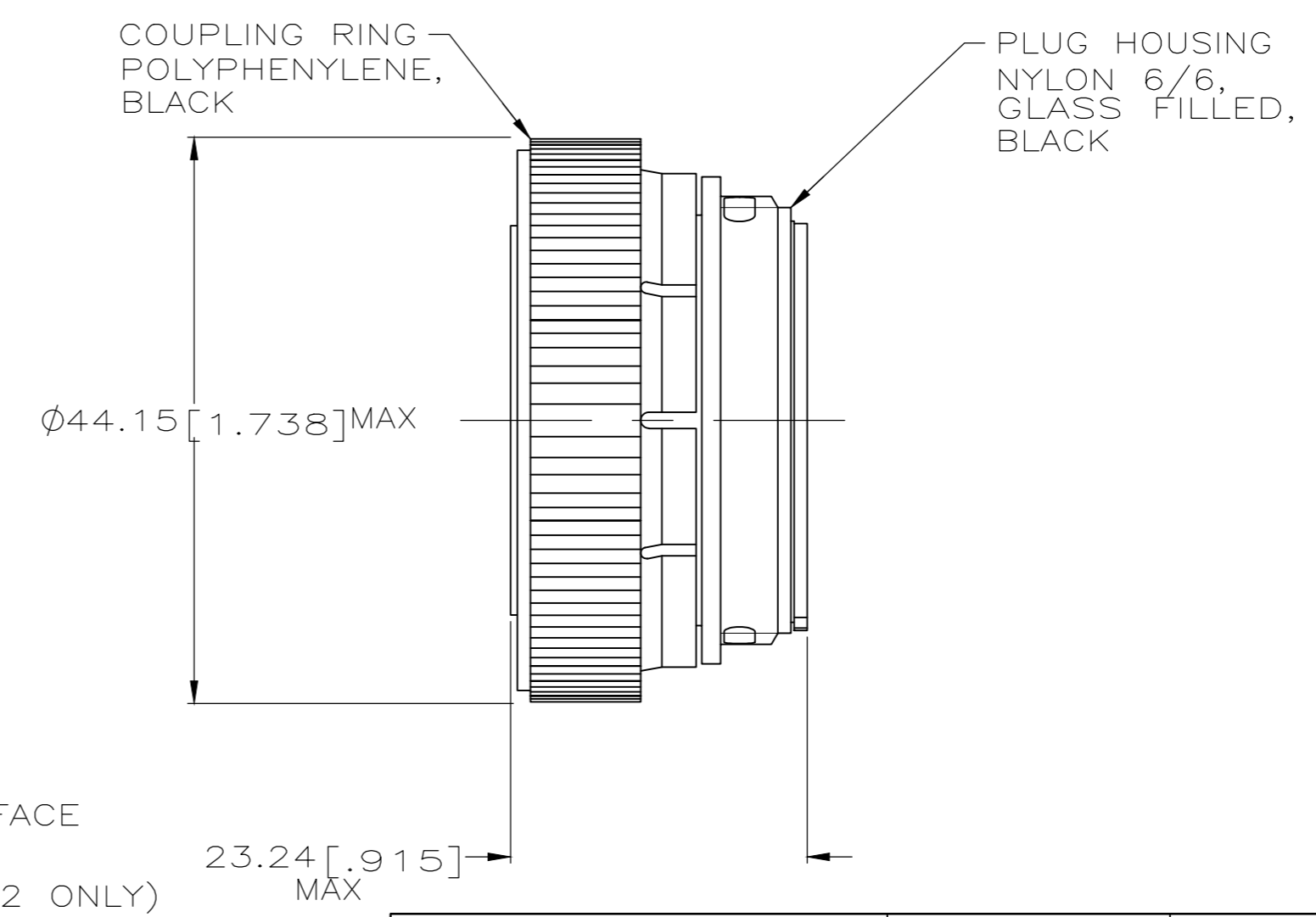
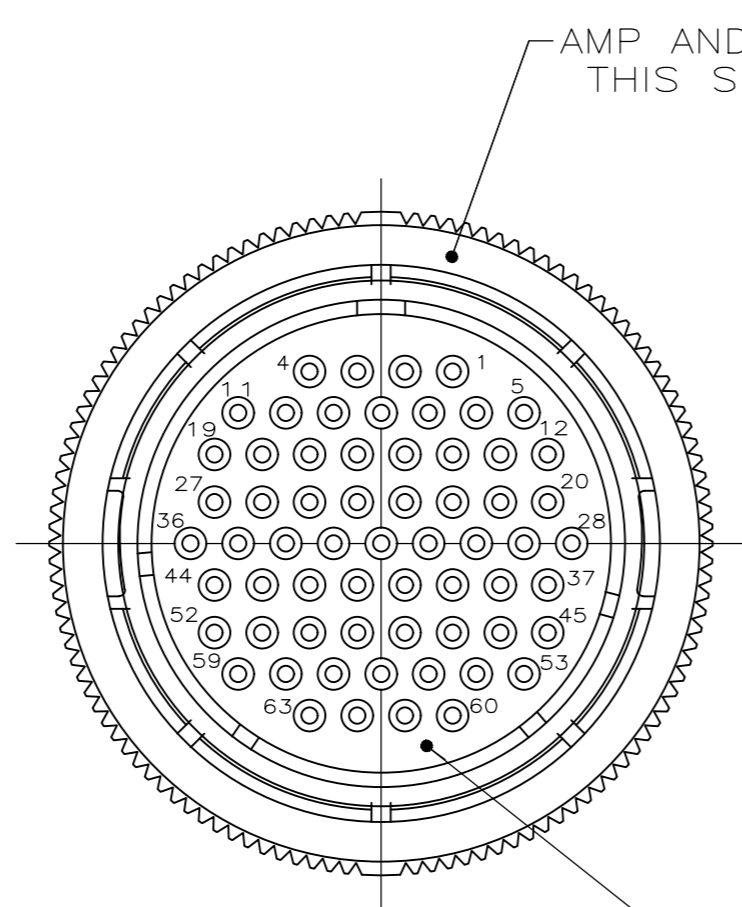
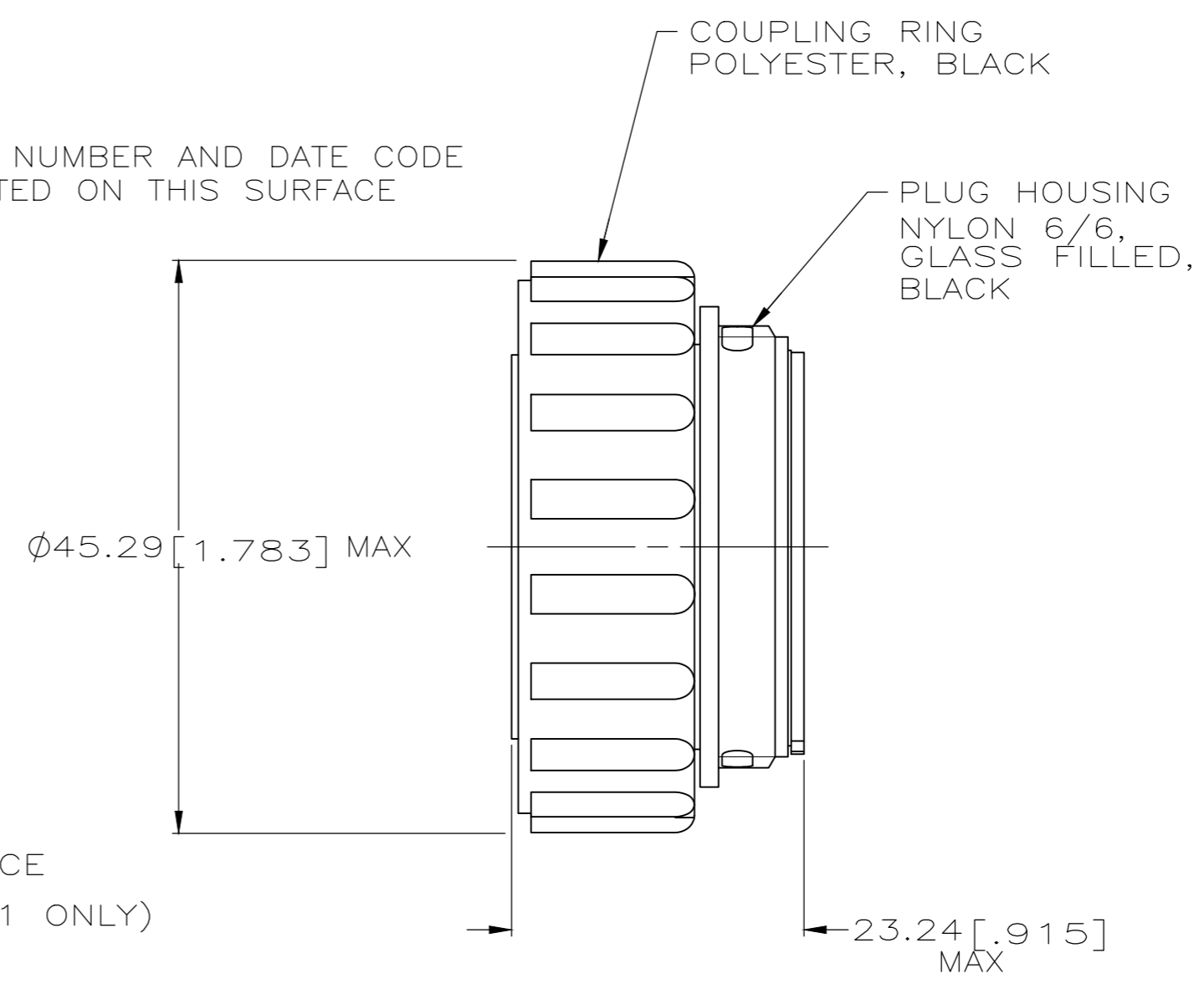
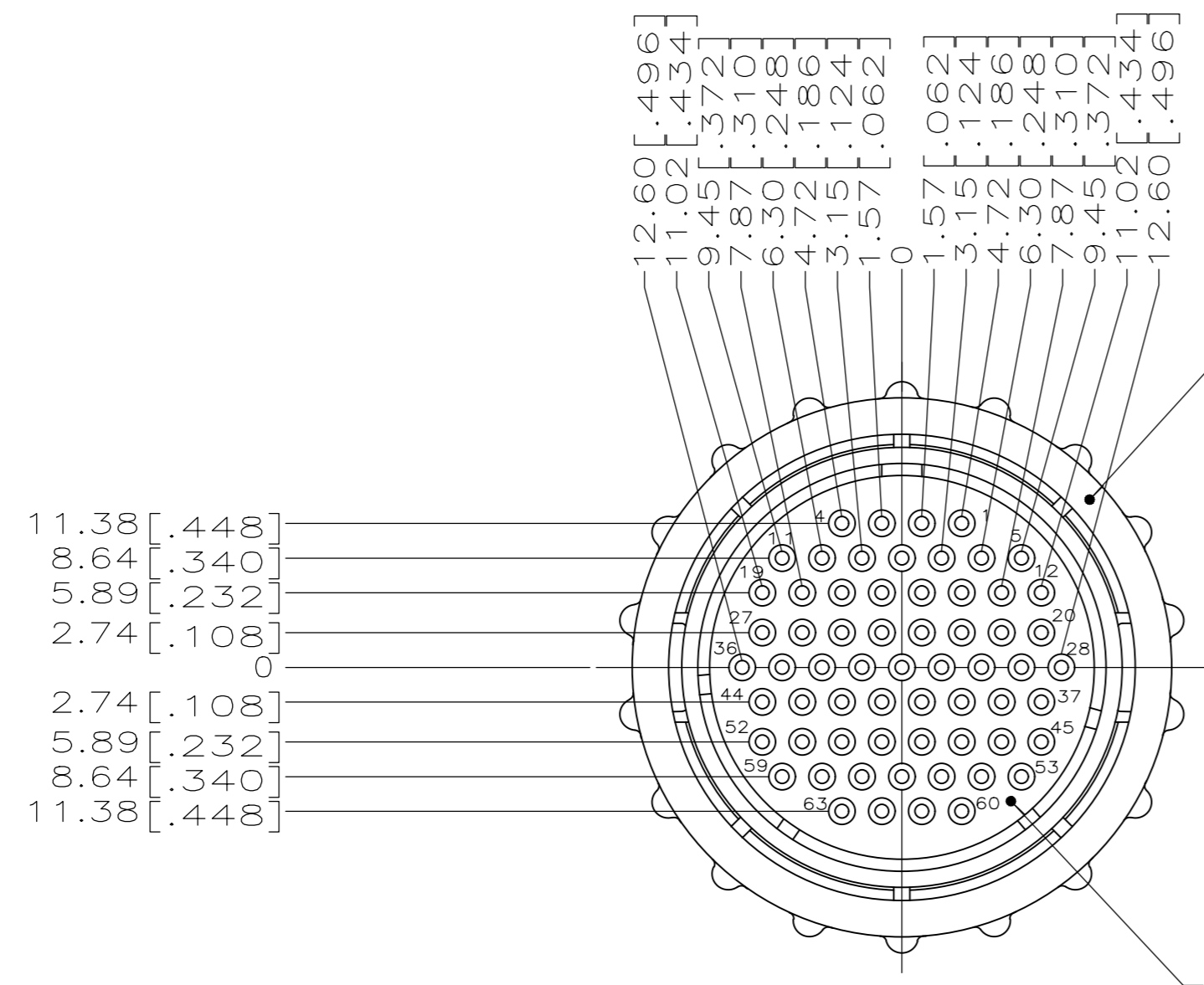


THIS DRAWING IS UNPUBLISHED. RELEASED FOR PUBLICATION
 © COPYRIGHT - By - ALL RIGHTS RESERVED.

REVISIONS					
P	LTR	DESCRIPTION	DATE	DWN	APVD
K		REVISED PER ECR-16-017870	20APR2017	BDA	MZ
L		REVISED PER ECO-18-007221	21MAY2018	KH	MZ



OBSOLETE	205842-2
	205842-1
	PART NUMBER

- CONTACT CAVITIES IDENTIFIED BY CHARACTERS ON FRONT AND REAR FACES OF CONNECTOR.
- WILL ACCEPT (63) SIZE 20 SOCKET CONTACTS.

THIS DRAWING IS A CONTROLLED DOCUMENT.		DWN	A. STAUB BG	4 APR 91	 TE Connectivity Ltd.	
DIMENSIONS: mm [INCHES]		CHK	W. LENKER	23 JUL 92		
TOLERANCES UNLESS OTHERWISE SPECIFIED:		APVD	K. BEAVER	23 JUL 92		
0 PLC ± - 1 PLC ± - 2 PLC ± 0.13 [.005] 3 PLC ± - 4 PLC ± - ANGLES ± -		PRODUCT SPEC	108-10024			
MATERIAL SEE CALLOUTS		FINISH	-		APPLICATION SPEC	108-10024
		WEIGHT	0		SIZE	A2
		CUSTOMER DRAWING			CAGE CODE	00779
		SCALE	2:1		DRAWING NO	C=205842
		SHEET	1 of 1		RESTRICTED TO	-
		REV	L			