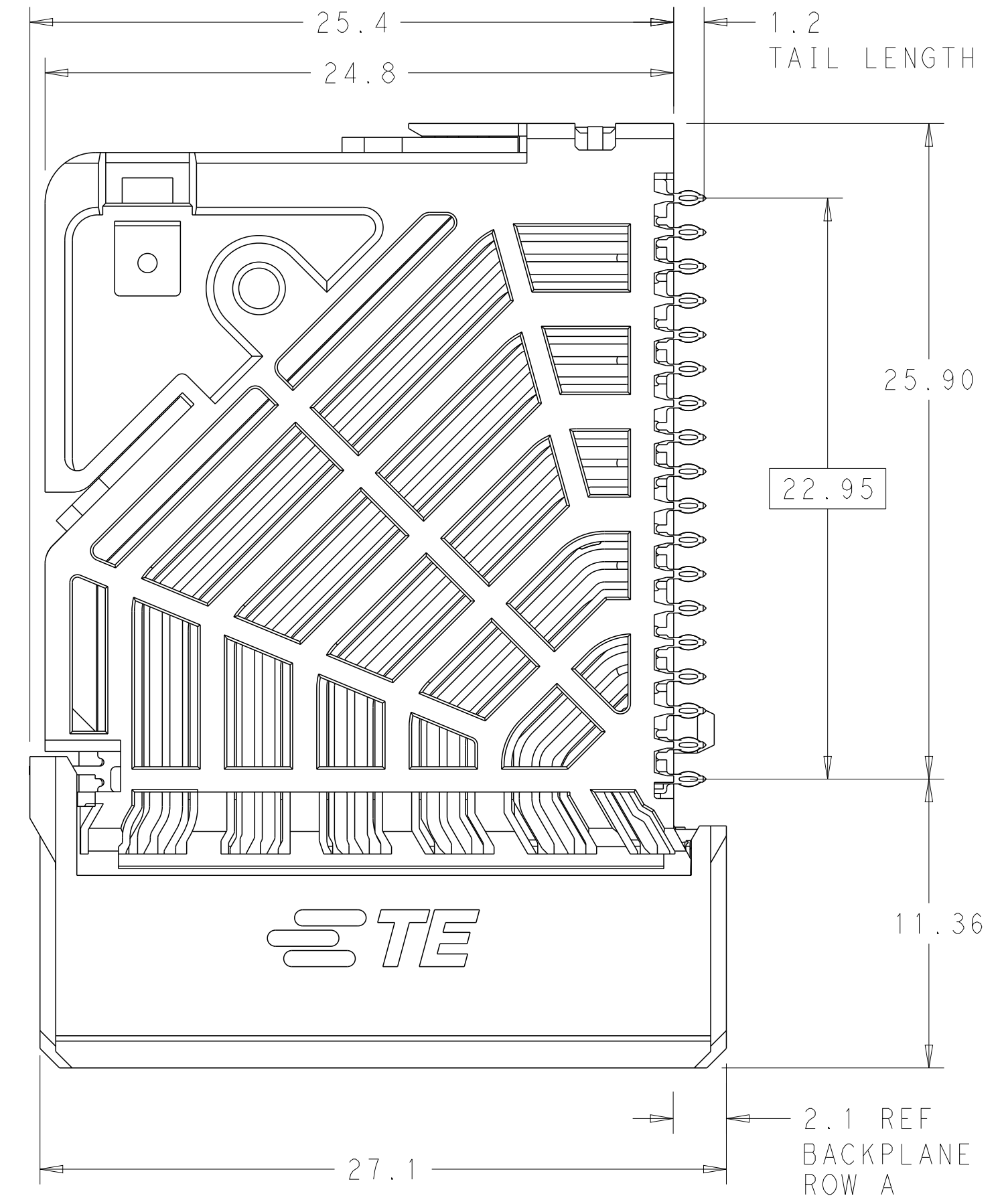
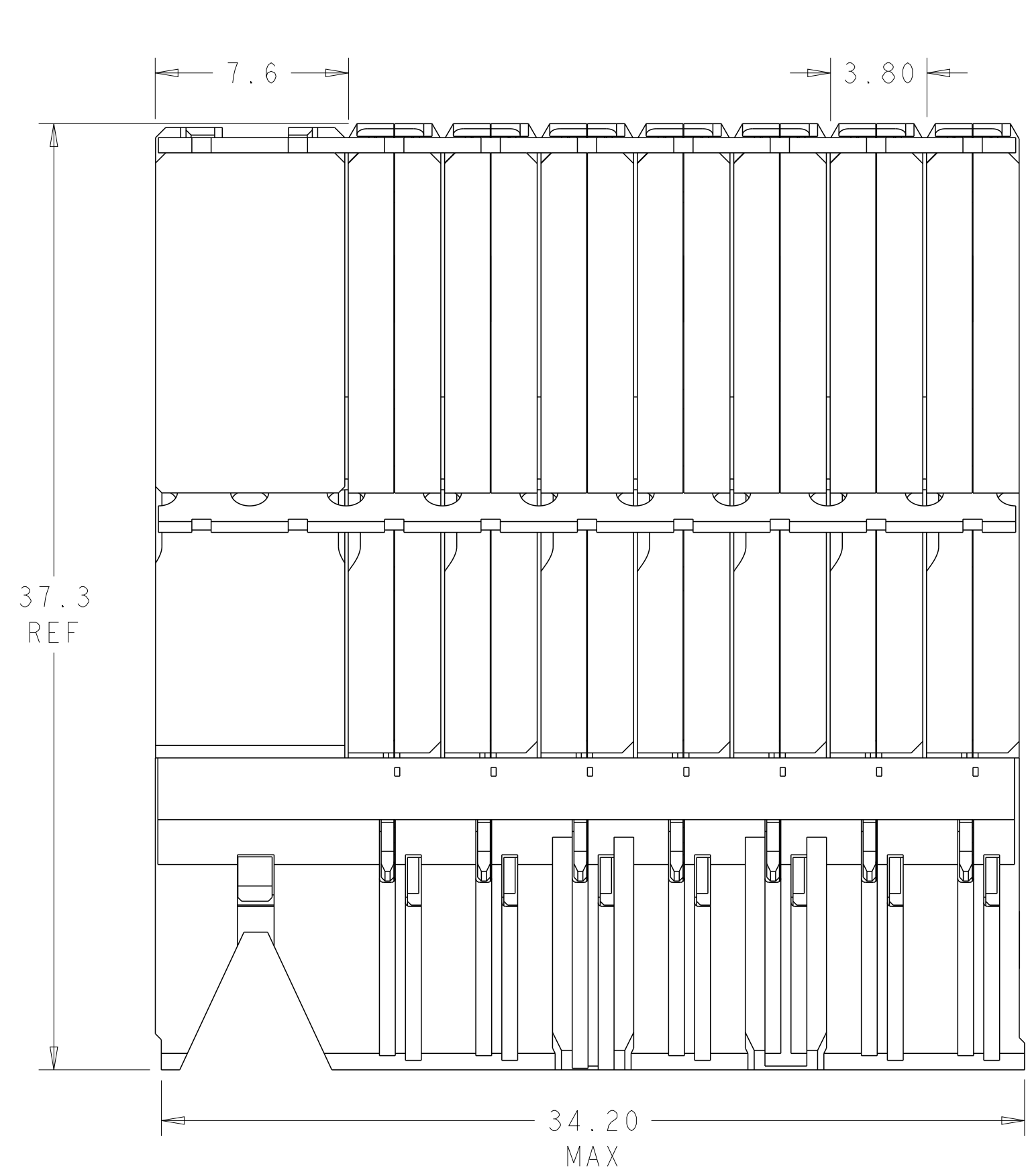
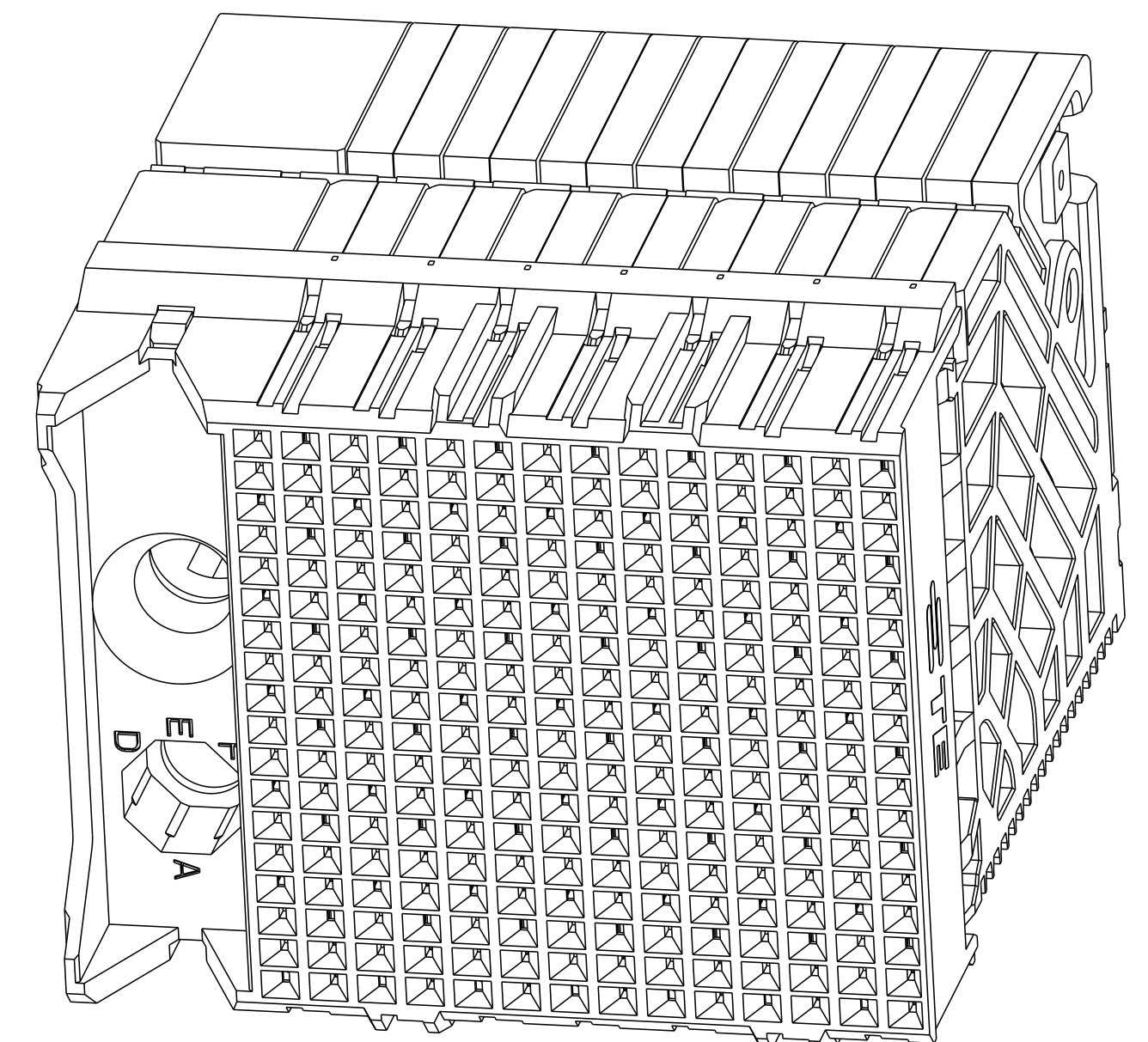


REVISIONS				
P.	LTN	DESCRIPTION	DATE	APVD
C		REVISED PER ECO-15-012351	03SEP2015	AP SY

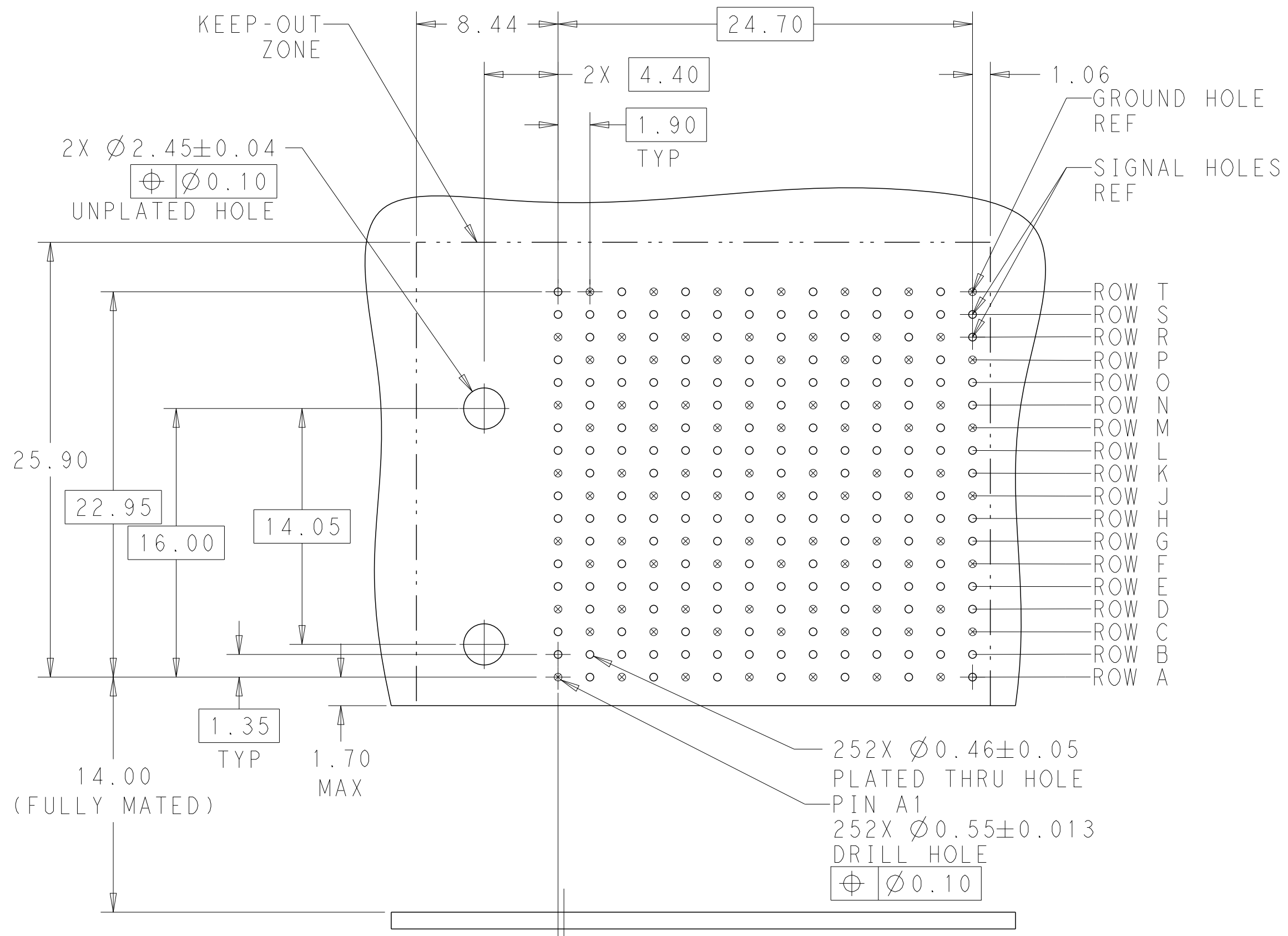
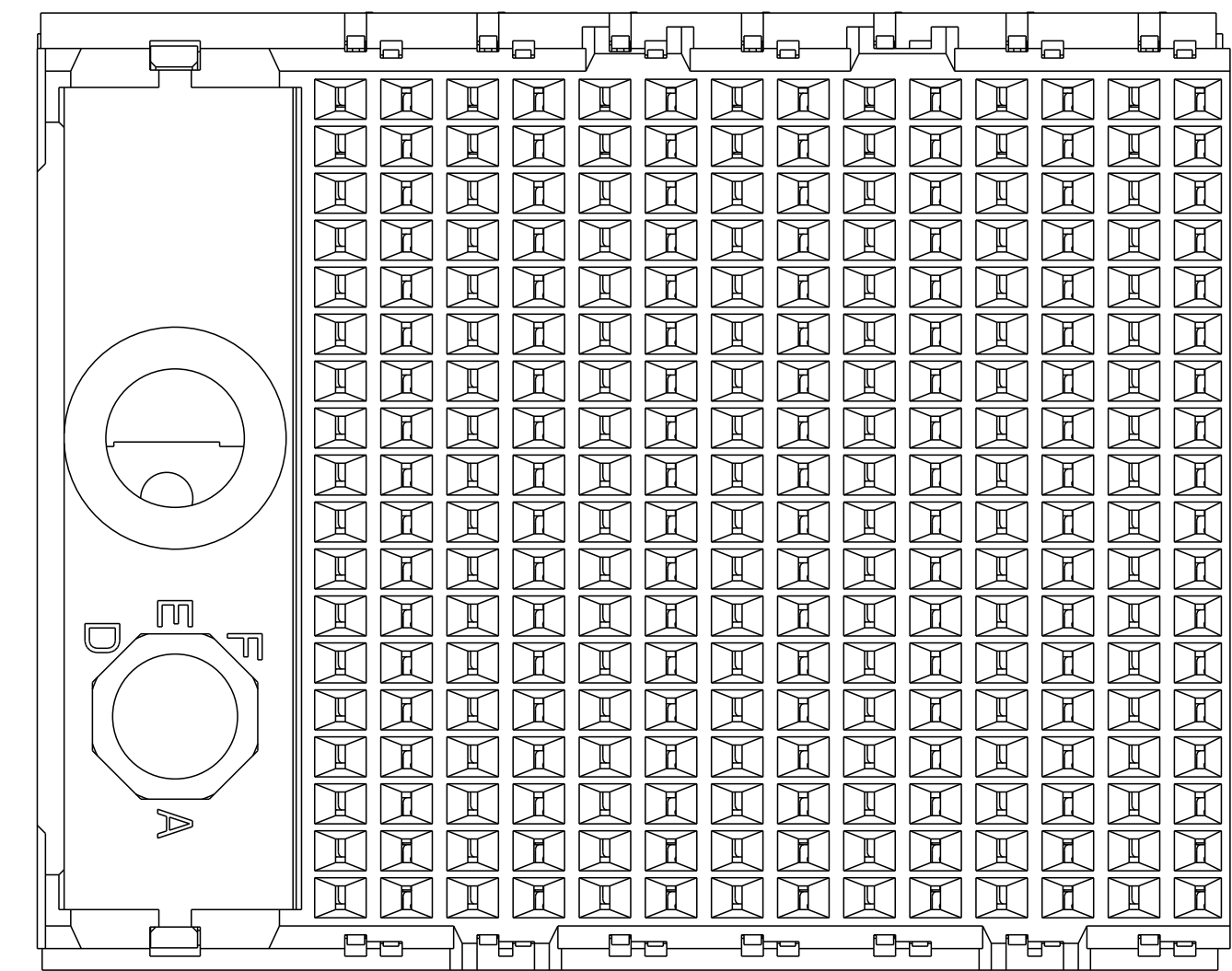


- ⚠ MATERIAL:  
HOUSING: LCP, GLASS FILLED, UL94V-0.  
TERMINALS: HIGH PERFORMANCE COPPER ALLOY.
- ⚠ FINISH:  
30μ" SELECTIVE GOLD IN CONTACT AREA. SELECTIVE TIN ON PCB TAILS, NICKEL OVERALL.
- 3. CONNECTORS SUPPLIED WITH MOUNTING SCREWS.



SCALE 4:1

REFER TO WWW.TE.COM FOR PRODUCT AVAILABILITY



KEY POSITION CHART	
	NONE
	A
	B
	C
	D
	E
	F
	G
	H
	I
	J
	K
	L
	M
	N
	O
	P
	R
	S
	T

H	⚠	8-2057986-1
G	⚠	7-2057986-1
F	⚠	6-2057986-1
E	⚠	5-2057986-1
D	⚠	4-2057986-1
C	⚠	3-2057986-1
B	⚠	2-2057986-1
A	⚠	1-2057986-1
NONE	⚠	2057986-1
KEY POSITION	FINISH	PART NUMBER

THIS DRAWING IS A CONTROLLED DOCUMENT. DWN: 01APR2011  
 CHK: D. DIXON 01APR2011  
 APVD: D. DIXON 01APR2011

DIMENSIONS: mm  
 TOLERANCES UNLESS OTHERWISE SPECIFIED:  
 0 PLC ±  
 1 PLC ±0.2  
 2 PLC ±0.13  
 3 PLC ±  
 4 PLC ±  
 ANGLES ±

MATERIAL: SEE TABLE  
 FINISH: SEE TABLE

NAME: IMPACT, 6 PAIR, DAUGHTERCARD 14 COLUMN, LEFT GUIDED, SIGNAL MODULE, 0.46 EYELET  
 SIZE: A1  
 CAGE CODE: 00779  
 DRAWING NO: C=2057986  
 WEIGHT: -  
 RESTRICTED TO: -

Customer Drawing SCALE 5:1 SHEET 1 OF 1 REV C

0.35  
 OFFSET BETWEEN BOARD AND BACKPLANE HOLE COLUMNS  
 RECOMMENDED PCB LAYOUT  
 MIN BOARD THICKNESS 1.0