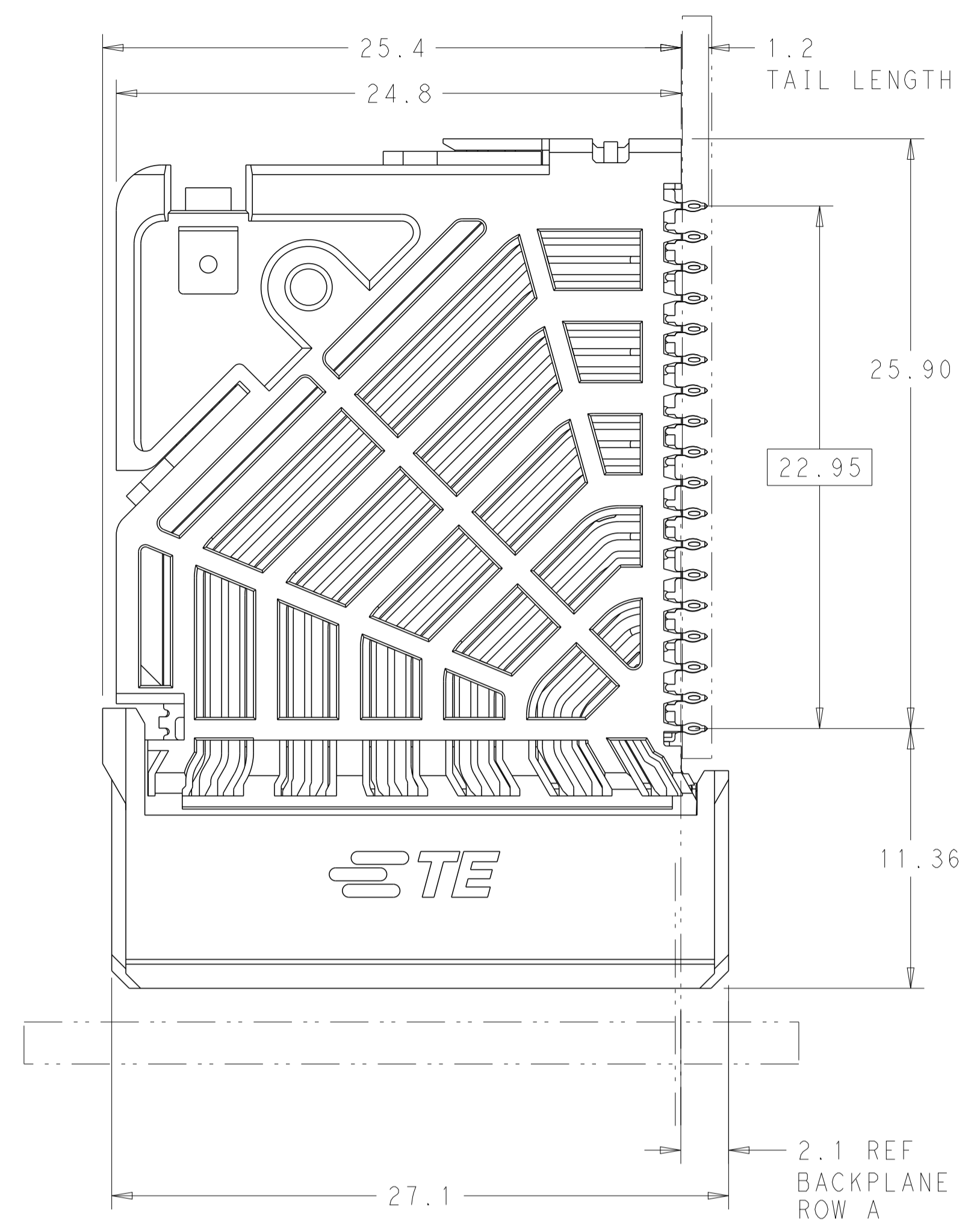
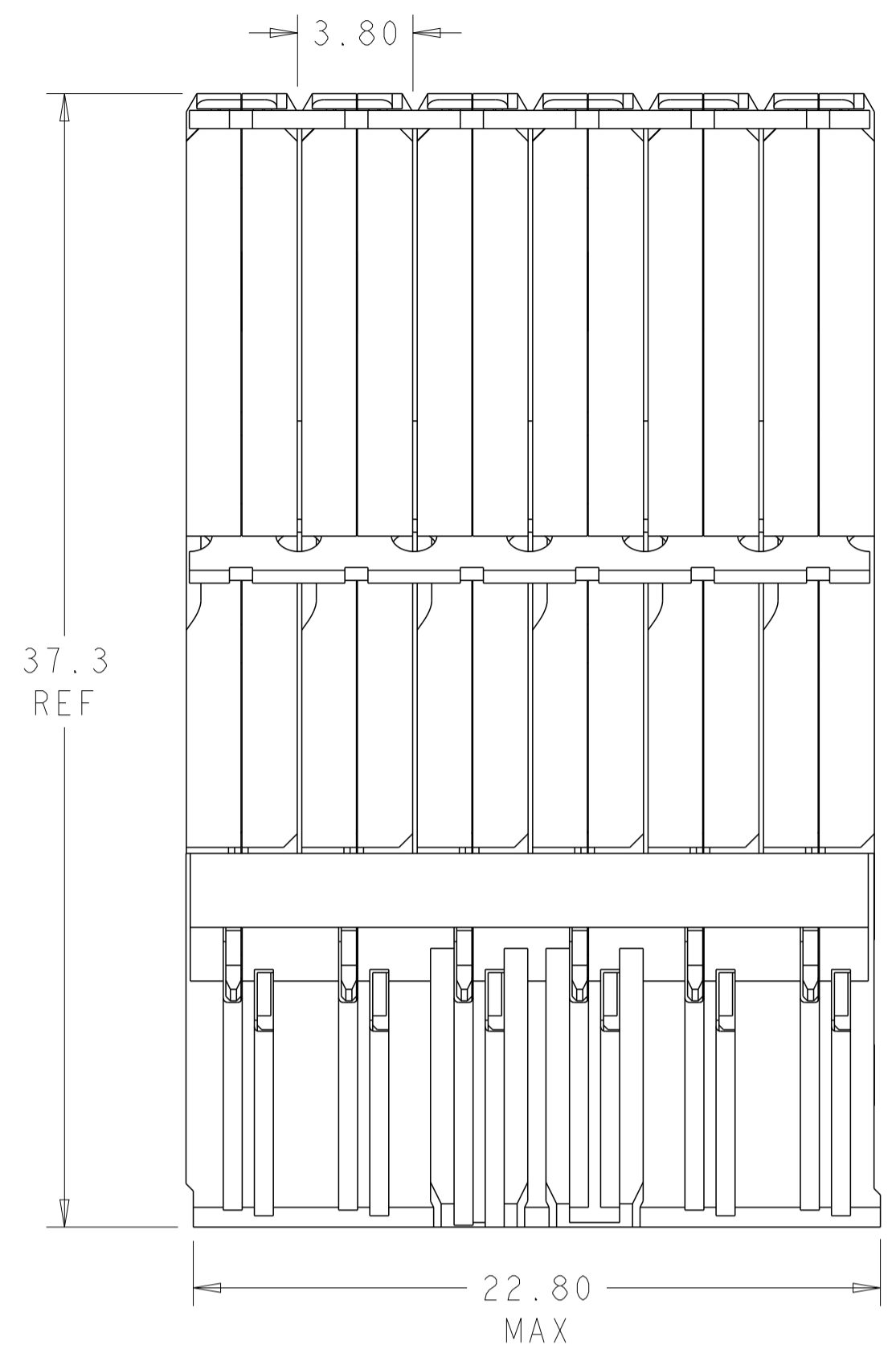
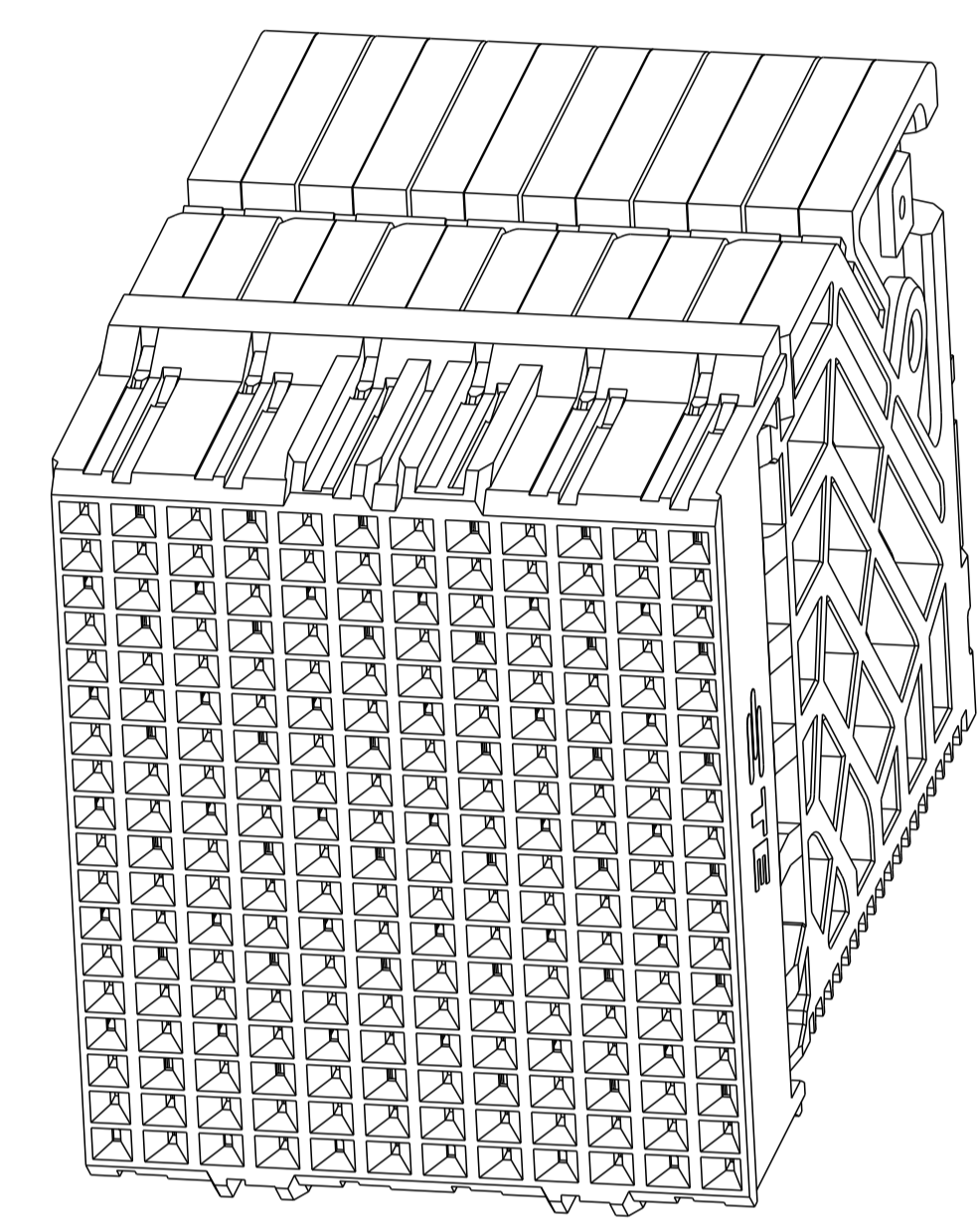


REVISIONS				
P	LTN	DESCRIPTION	DATE	APVD
C		REVISED PER ECO-15-012351	03SEP2015	AP SY

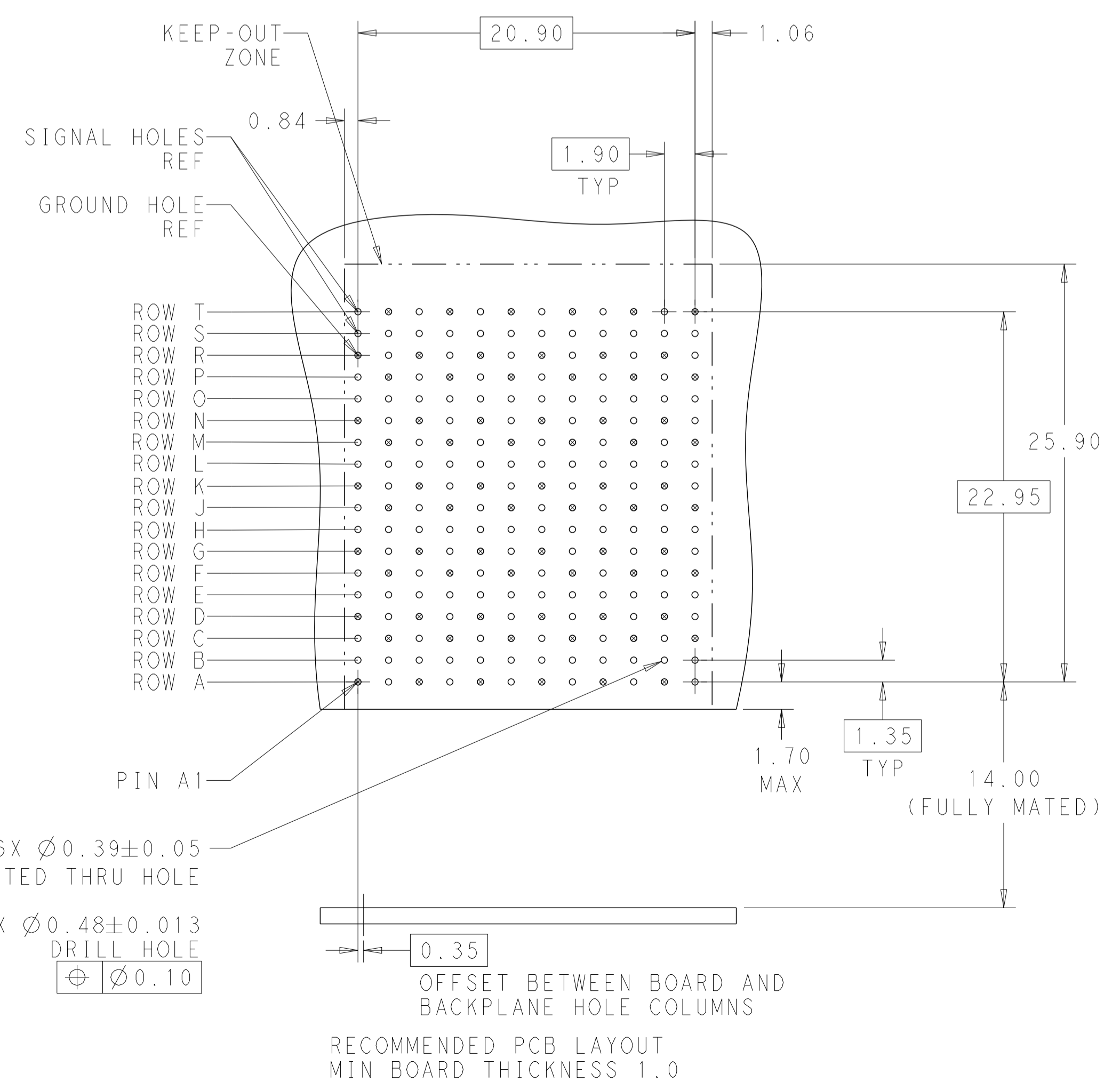
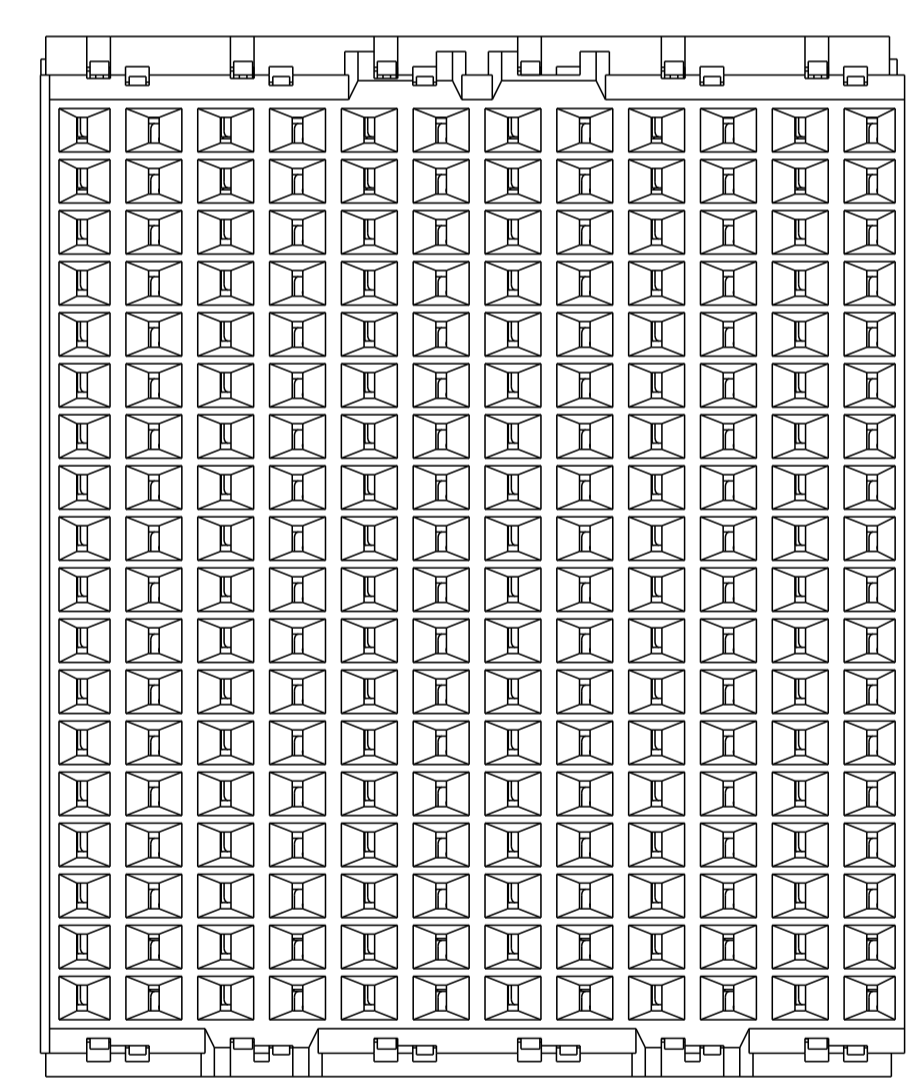


⚠ MATERIAL:
 HOUSING: LCP, GLASS FILLED, UL94V-0.
 TERMINALS: HIGH PERFORMANCE COPPER ALLOY.

⚠ FINISH:
 30µ" SELECTIVE GOLD IN CONTACT AREA. SELECTIVE TIN ON PCB TAILS, NICKEL OVERALL.



SCALE 4:1



REFER TO WWW.TE.COM FOR PRODUCT AVAILABILITY

NONE	⚠	2057985-1
KEY POSITION	FINISH	PART NUMBER
TE TE Connectivity		
DIMENSIONS: mm 0 PLC ±0.2 1 PLC ±0.2 2 PLC ±0.10 3 PLC ±0.10 4 PLC ±0.10 ANGLES ±0.10 FINISH SEE TABLE		NAME: IMPACT, STD, R/A, 6 PAIR, 12 COLUMN, DAUGHTERCARD, UNGUIDED SIGNAL MODULE, 0.39 EYELET SIZE: CAGE CODE DRAWING NO: A100779 WEIGHT: - RESTRICTED TO: -
THIS DRAWING IS A CONTROLLED DOCUMENT. DIMENSIONS: mm TOLERANCES UNLESS OTHERWISE SPECIFIED: 0 PLC ±0.2 1 PLC ±0.2 2 PLC ±0.10 3 PLC ±0.10 4 PLC ±0.10 ANGLES ±0.10 FINISH SEE TABLE		DWG: B. CARBO 19AUG2010 CHK: D. DIXON 19AUG2010 APVD: D. DIXON 19AUG2010 CUSTOMER DRAWING SCALE: 5:1 SHEET 1 OF 1 REV C