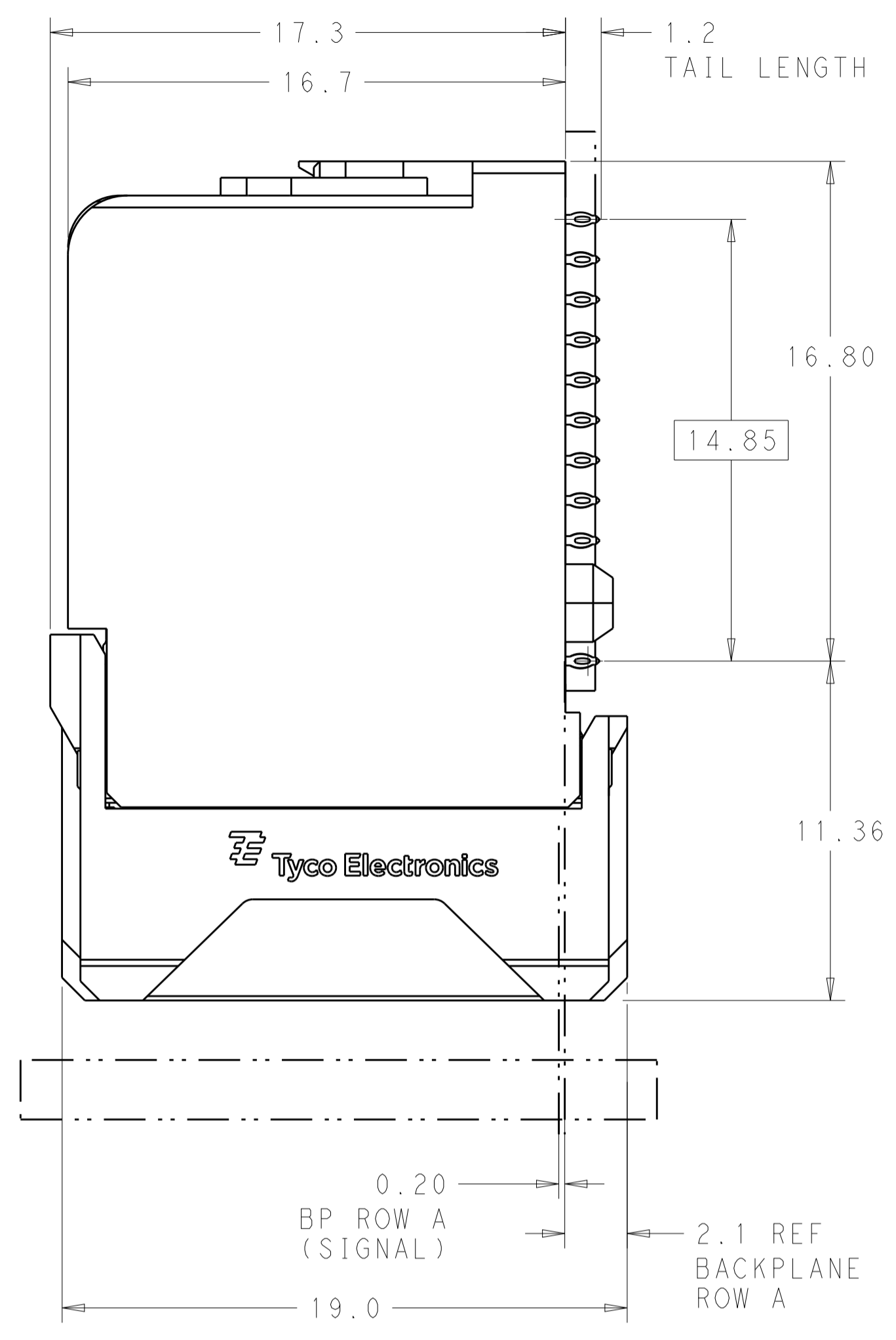
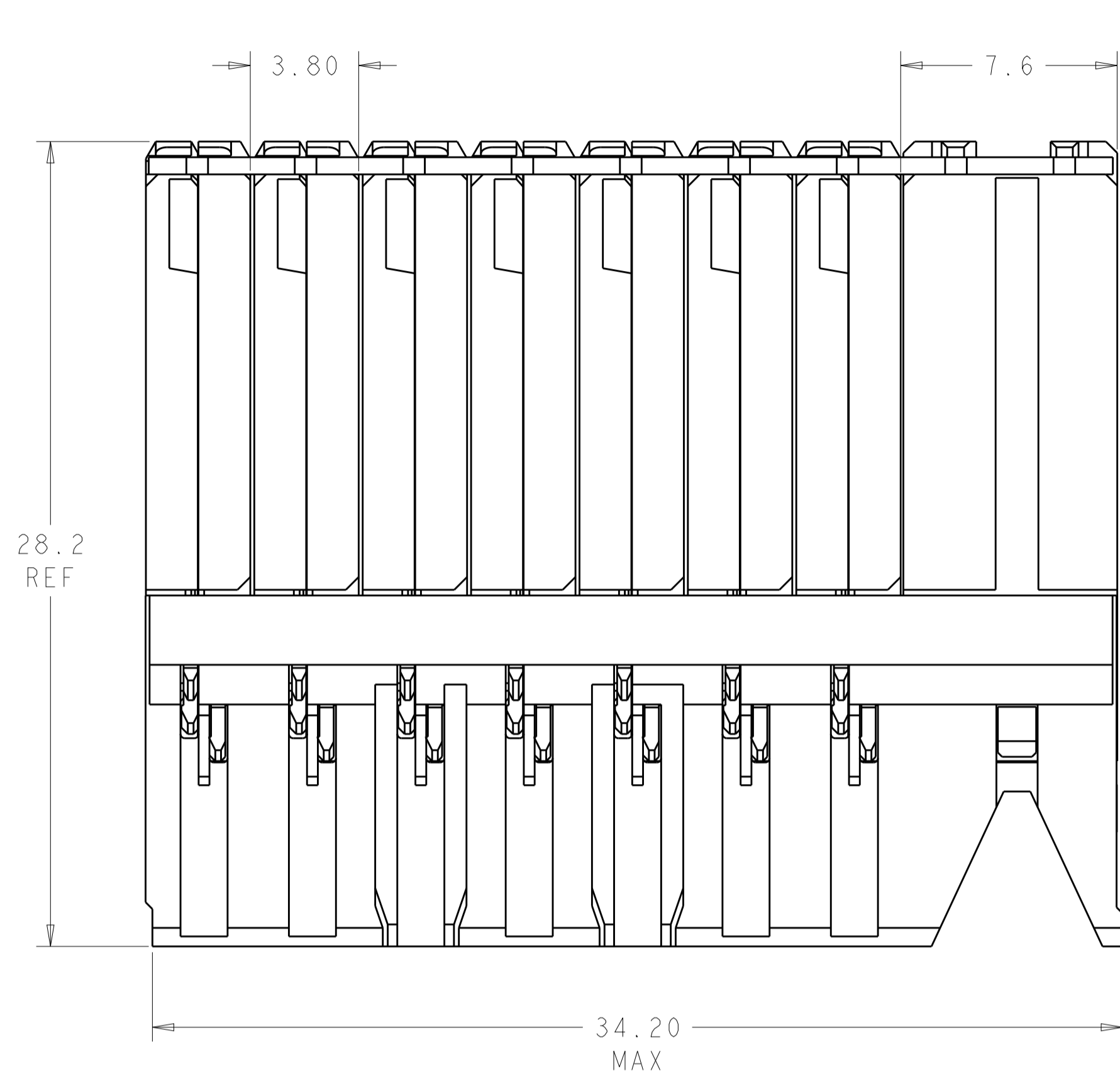


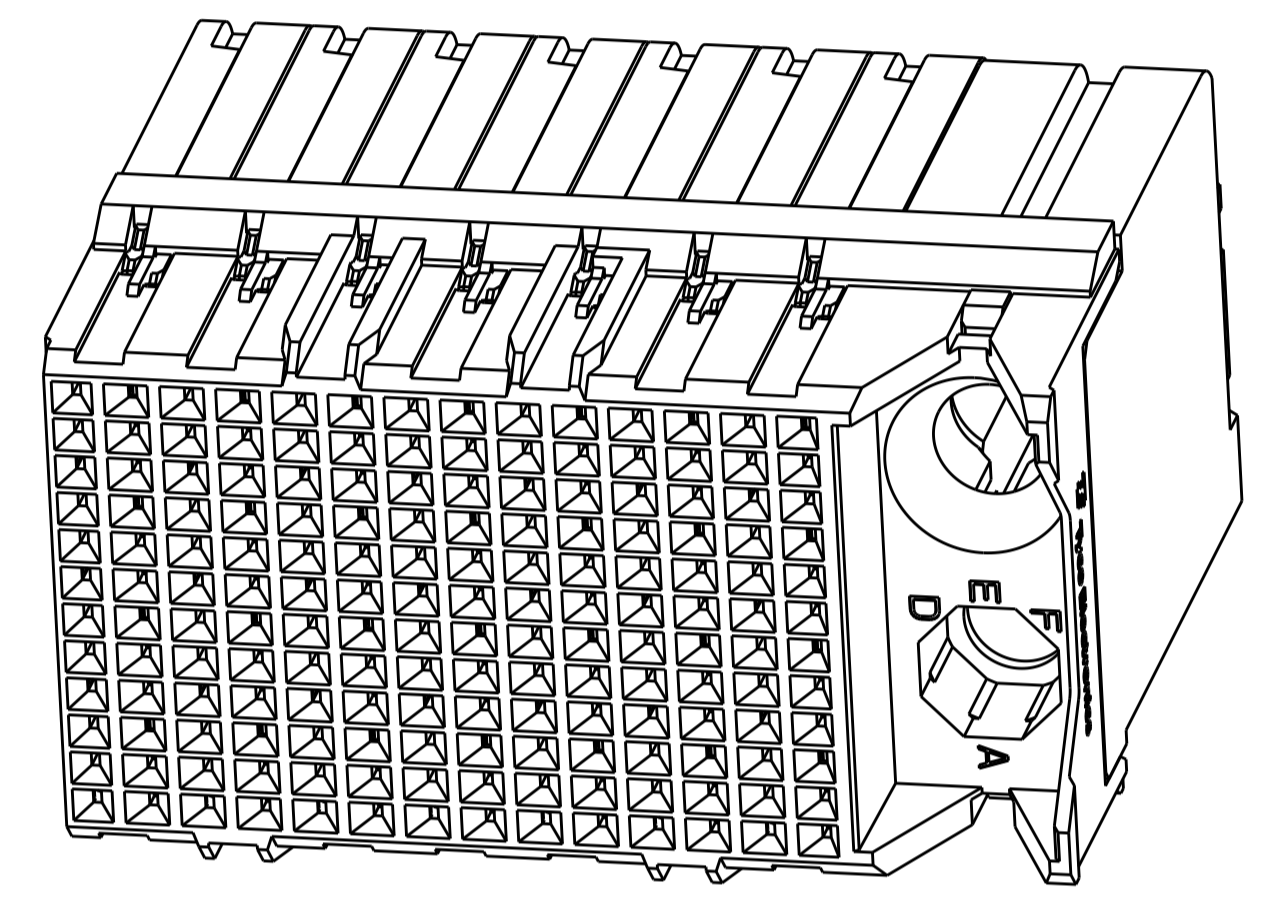
LOC	DIST	REVISIONS			
P	LTN	DESCRIPTION	DATE	DWN	APVD
A		REVISED PER ECO-14-018036	18FEB2015	AP	DD



⚠ MATERIAL:  
HOUSING: LCP, GLASS FILLED, UL94V-0.  
TERMINALS: HIGH PERFORMANCE COPPER ALLOY.

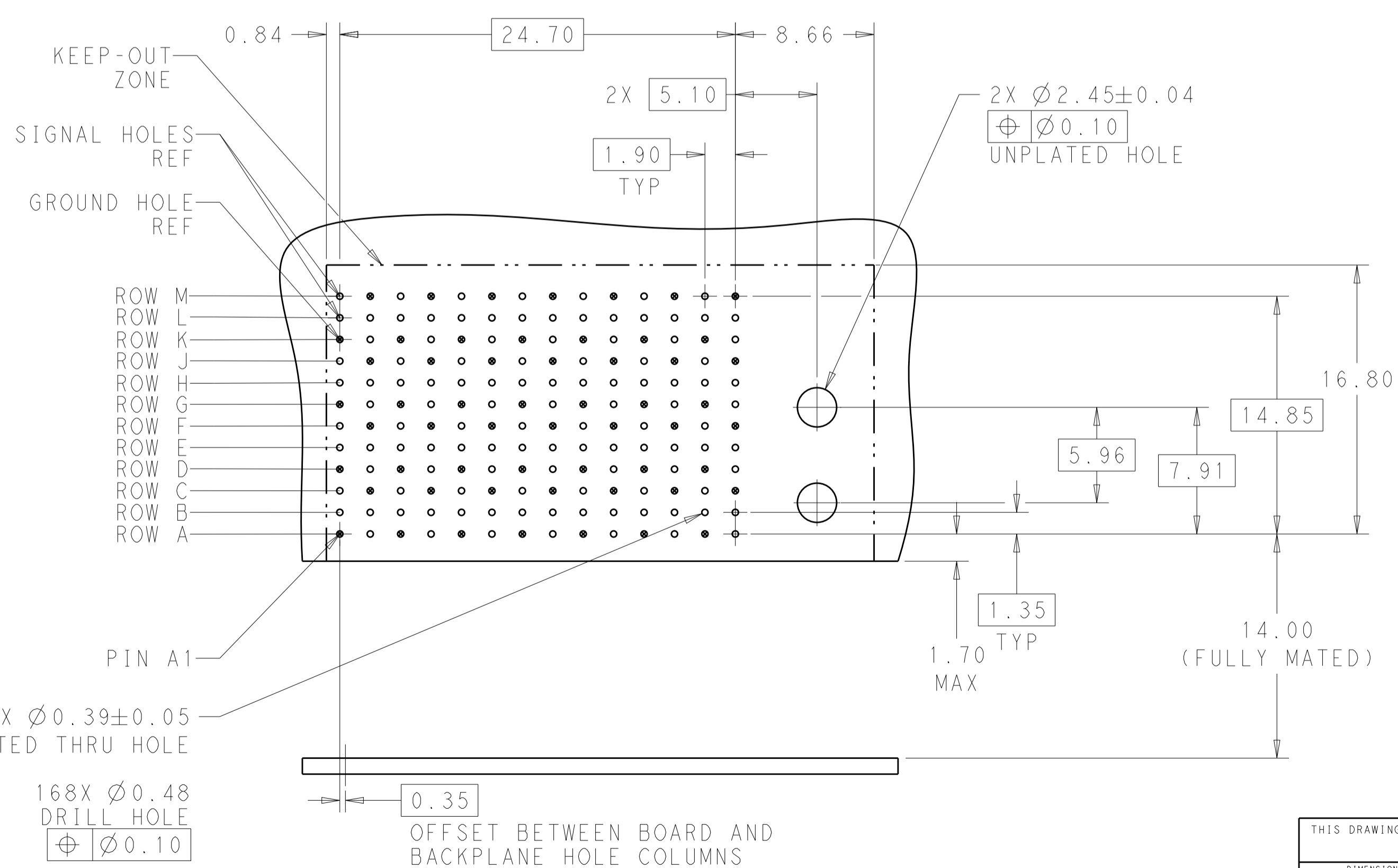
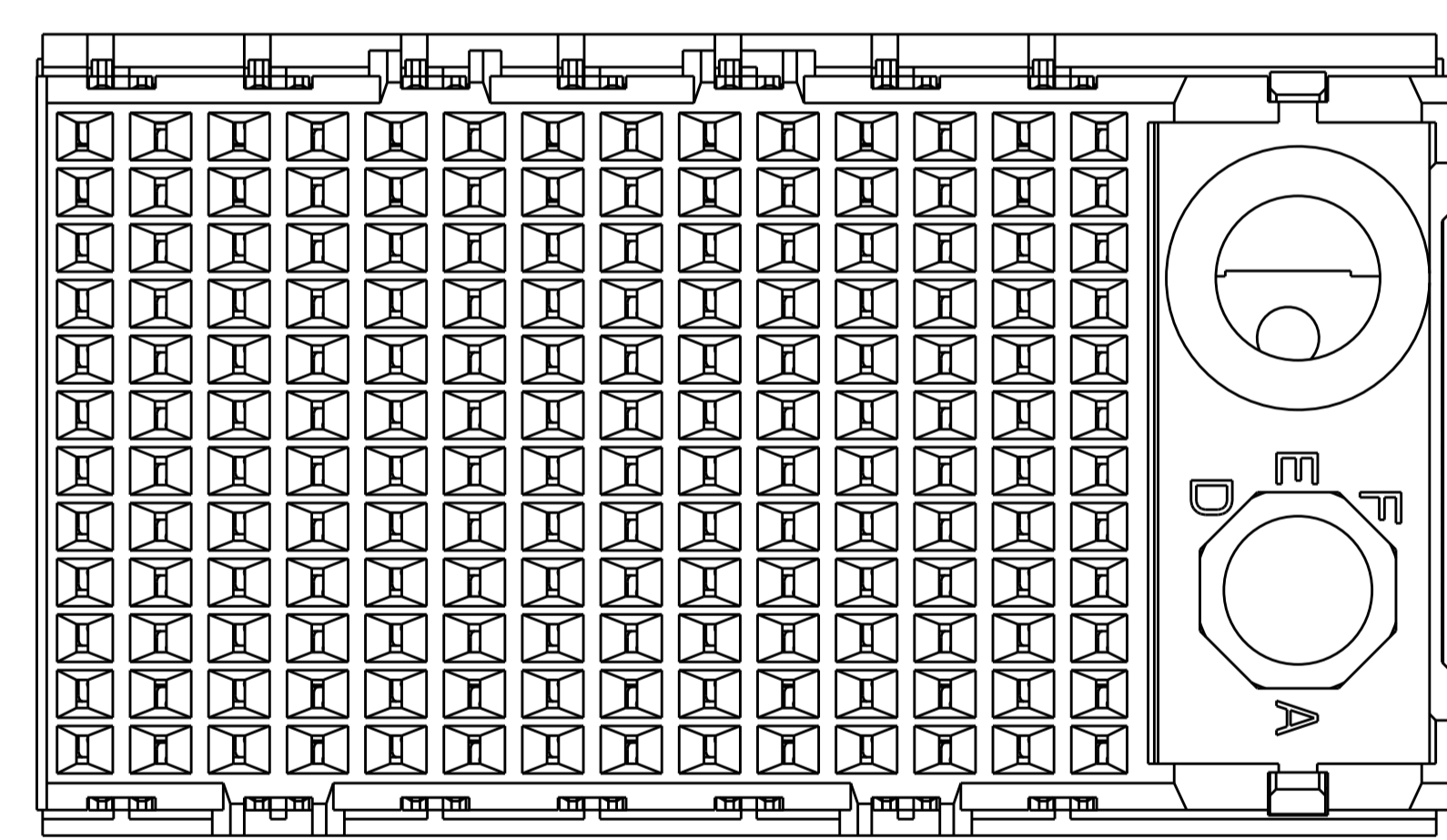
⚠ FINISH:  
30µ" SELECTIVE GOLD IN CONTACT AREA. SELECTIVE TIN ON PCB TAILS, NICKEL OVERALL.

3. CONNECTORS SUPPLIED WITH MOUNTING SCREWS.



SCALE 4:1

REFER TO WWW.TE.COM FOR PRODUCT AVAILABILITY



KEY POSITION CHART	
	NONE

168X Ø0.39±0.05 PLATED THRU HOLE

168X Ø0.48 DRILL HOLE  
⊕ Ø0.10

OFFSET BETWEEN BOARD AND BACKPLANE HOLE COLUMNS

RECOMMENDED PCB LAYOUT  
MIN BOARD THICKNESS 1.0

KEY POSITION	FINISH	PART NUMBER
H	⚠	8-2057966-1
G	⚠	7-2057966-1
F	⚠	6-2057966-1
E	⚠	5-2057966-1
D	⚠	4-2057966-1
C	⚠	3-2057966-1
B	⚠	2-2057966-1
A	⚠	1-2057966-1
NONE	⚠	2057966-1

THIS DRAWING IS A CONTROLLED DOCUMENT.

DIMENSIONS: mm

TOLERANCES UNLESS OTHERWISE SPECIFIED:

0 PLC	±
1 PLC	±0.2
2 PLC	±0.13
3 PLC	±
4 PLC	±
ANGLES	±

MATERIAL: SEE TABLE

OWN: ALIRAN HOLLAL 10NOV2012  
CHK: D. DIXON 10NOV2012  
APVD: D. DIXON 10NOV2012

NAME: IMPACT, 4 PAIR, DAUGHTERCARD 14 COLUMN, RIGHT GUIDED, SIGNAL MODULE, 0.39 EYELET

SIZE: A1 00779 ©=2057966

Customer Drawing

SCALE: 6:1 SHEET 1 OF 1 REV A