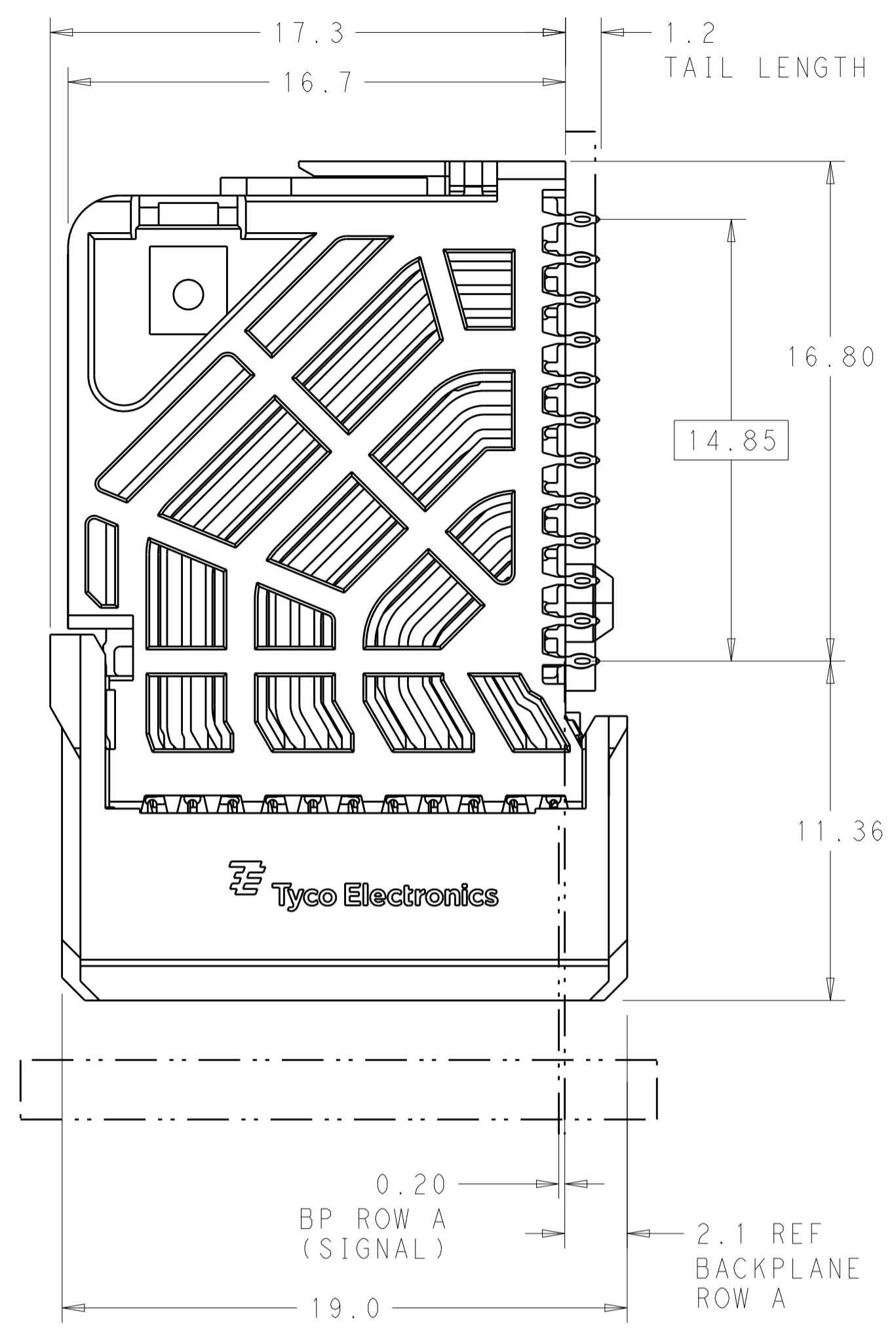
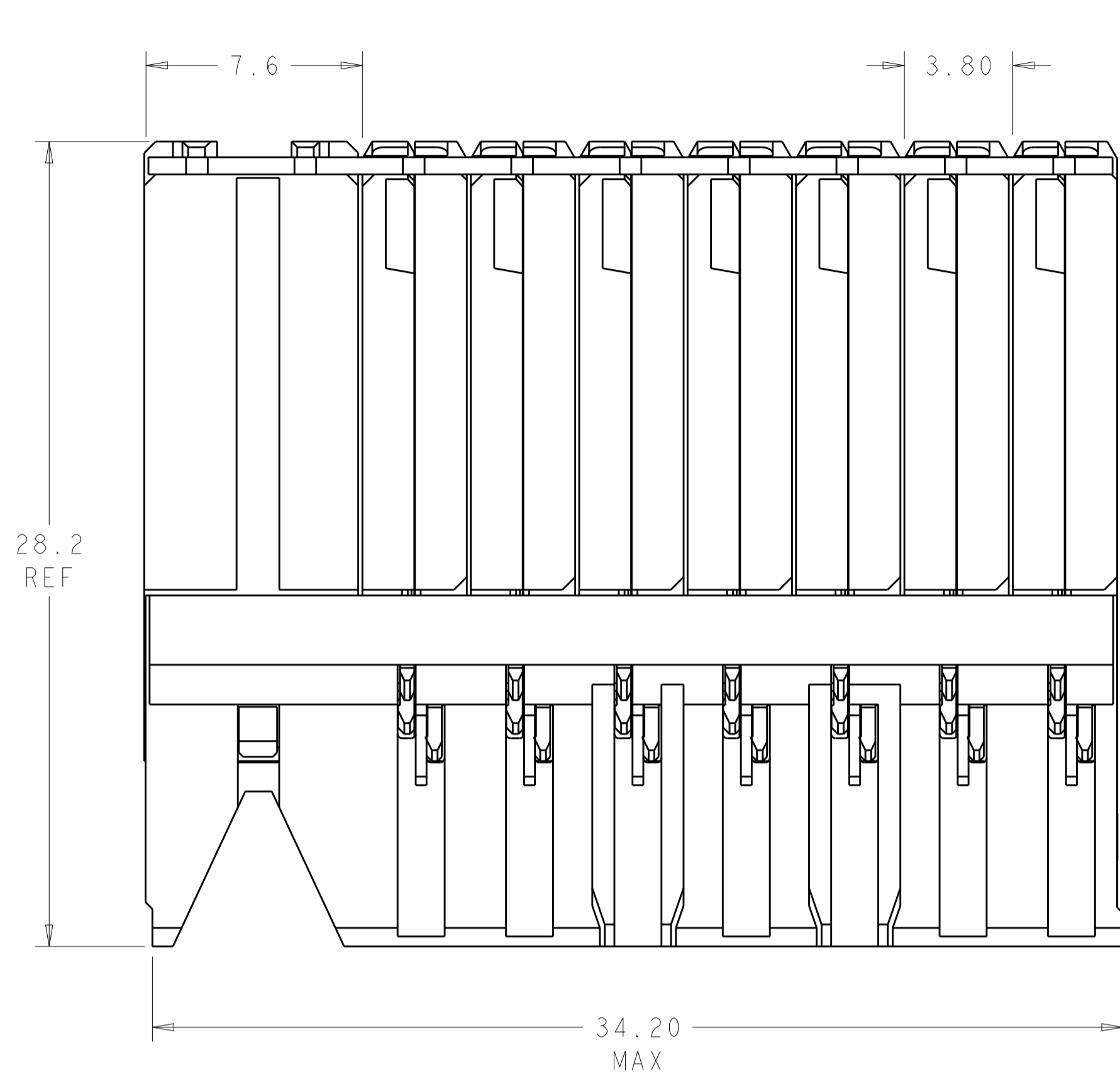
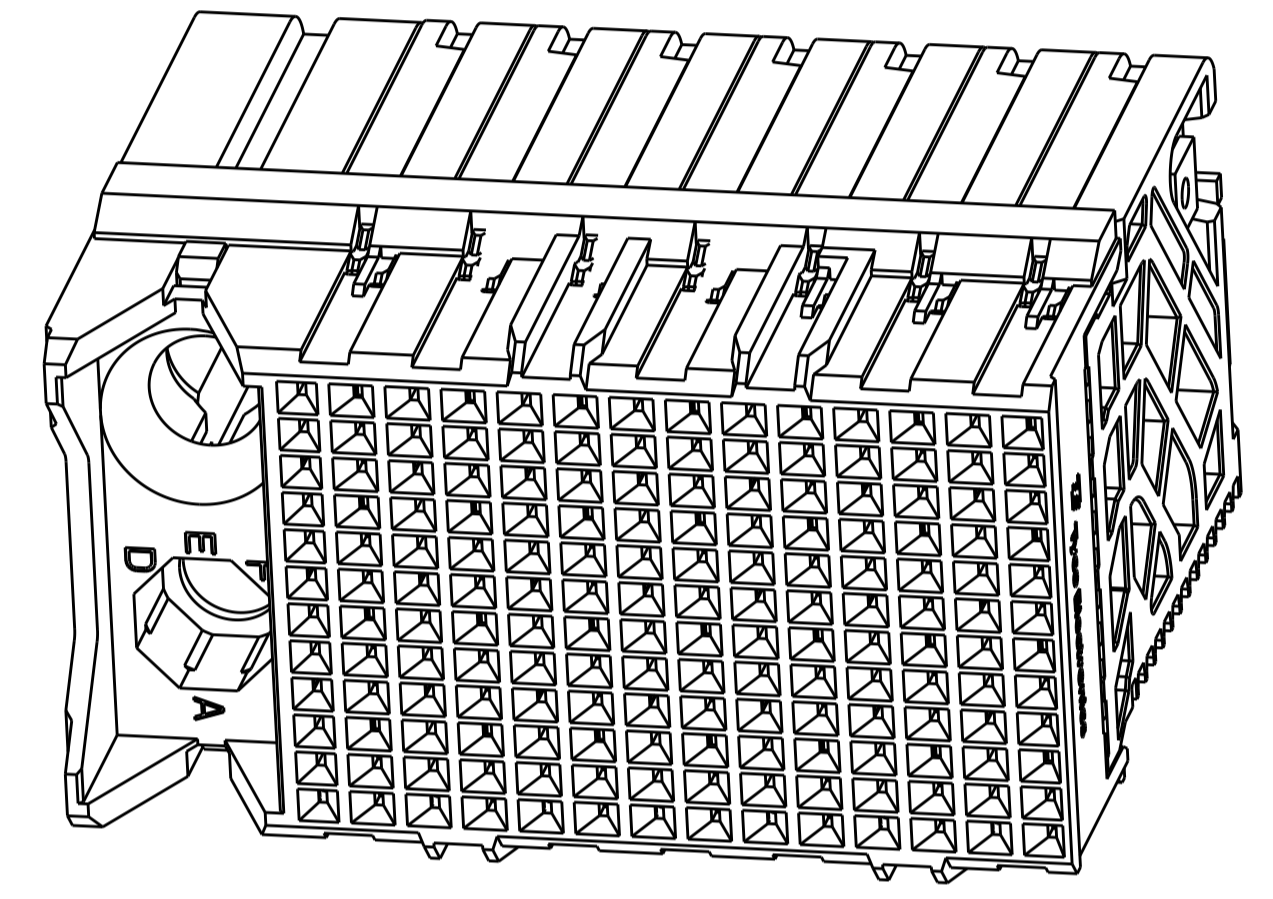


LOC		DIST		REVISIONS			
AD	00	P	LTN	DESCRIPTION	DATE	DWN	APVD
		A		REVISED PER ECO-14-018036	18FEB2015	AP	DD

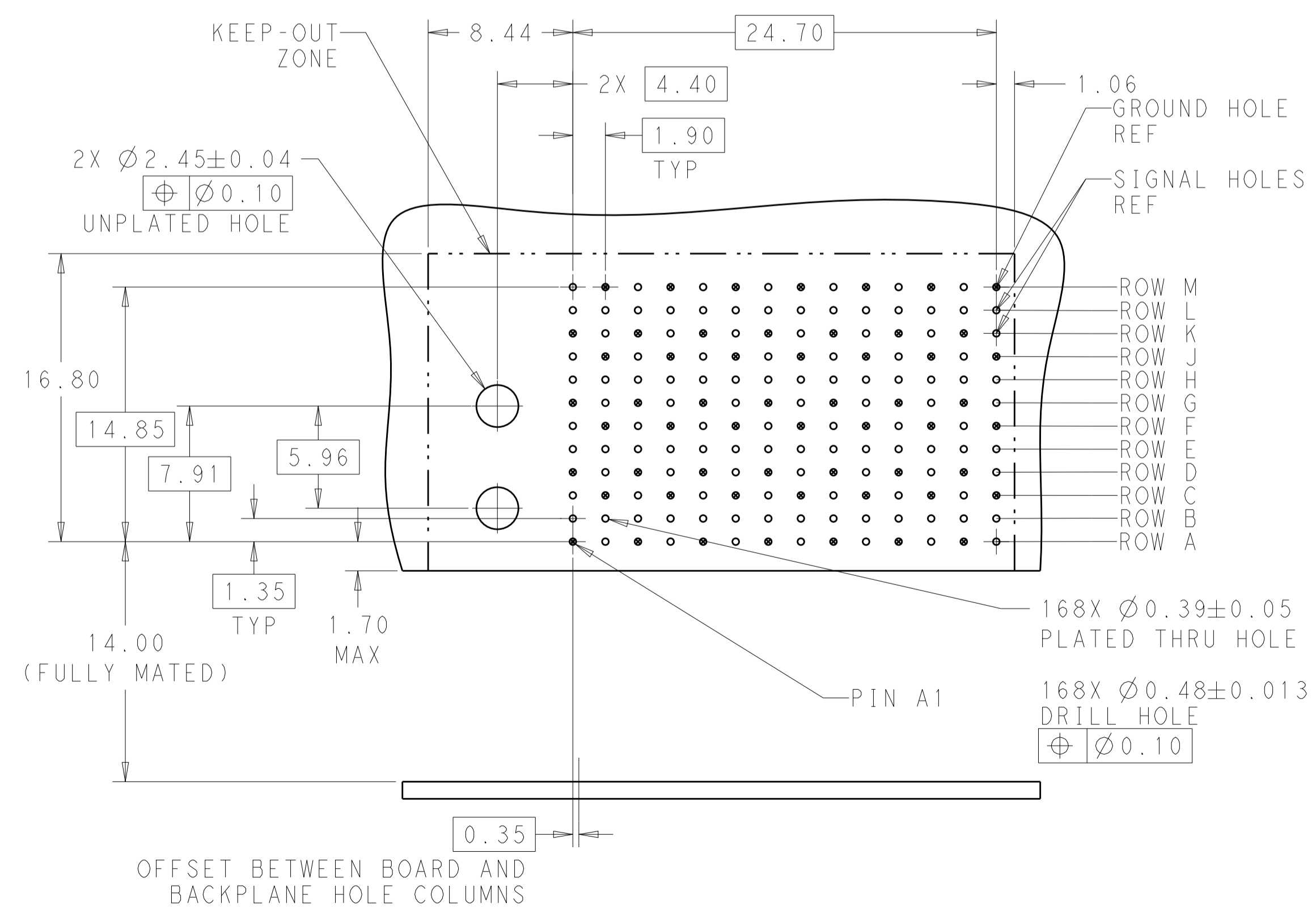
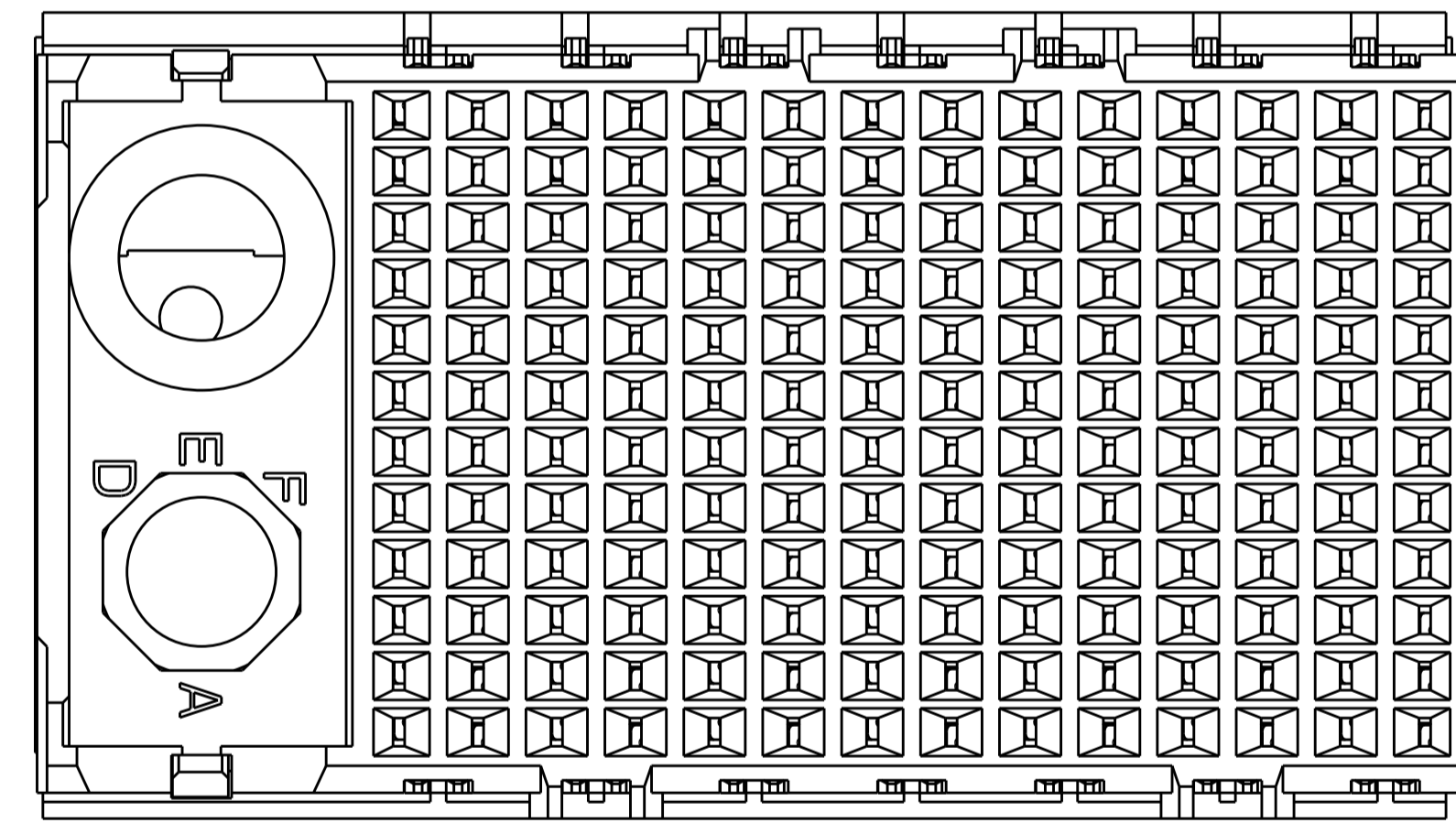


- MATERIAL:
HOUSING: LCP, GLASS FILLED, UL94V-0.
TERMINALS: HIGH PERFORMANCE COPPER ALLOY.
- FINISH:
30µ" SELECTIVE GOLD IN CONTACT AREA. SELECTIVE TIN ON PCB TAILS, NICKEL OVERALL..
- CONNECTORS SUPPLIED WITH MOUNTING SCREWS.



SCALE 4:1

REFER TO WWW.TE.COM FOR PRODUCT AVAILABILITY



KEY POSITION CHART	
	NONE
	A
	B
	C
	D
	E
	F
	G
	H

KEY POSITION	FINISH	PART NUMBER
H	△	8-2057965-1
G	△	7-2057965-1
F	△	6-2057965-1
E	△	5-2057965-1
D	△	4-2057965-1
C	△	3-2057965-1
B	△	2-2057965-1
A	△	1-2057965-1
NONE	△	2057965-1

THIS DRAWING IS A CONTROLLED DOCUMENT. DWN: 06JUN2011, CHK: D. DIXON, APVD: D. DIXON, NAME: IMPACT, 4 PAIR, DAUGHTERCARD 14 COLUMN, LEFT GUIDED, SIGNAL MODULE, 0.39 EYELET. SIZE: A1, CAGE CODE: 100779, DRAWING NO: 2057965, WEIGHT: -, RESTRICTED TO: Customer Drawing, SCALE: 6:1, SHEET: 1 OF 1, REV: A.