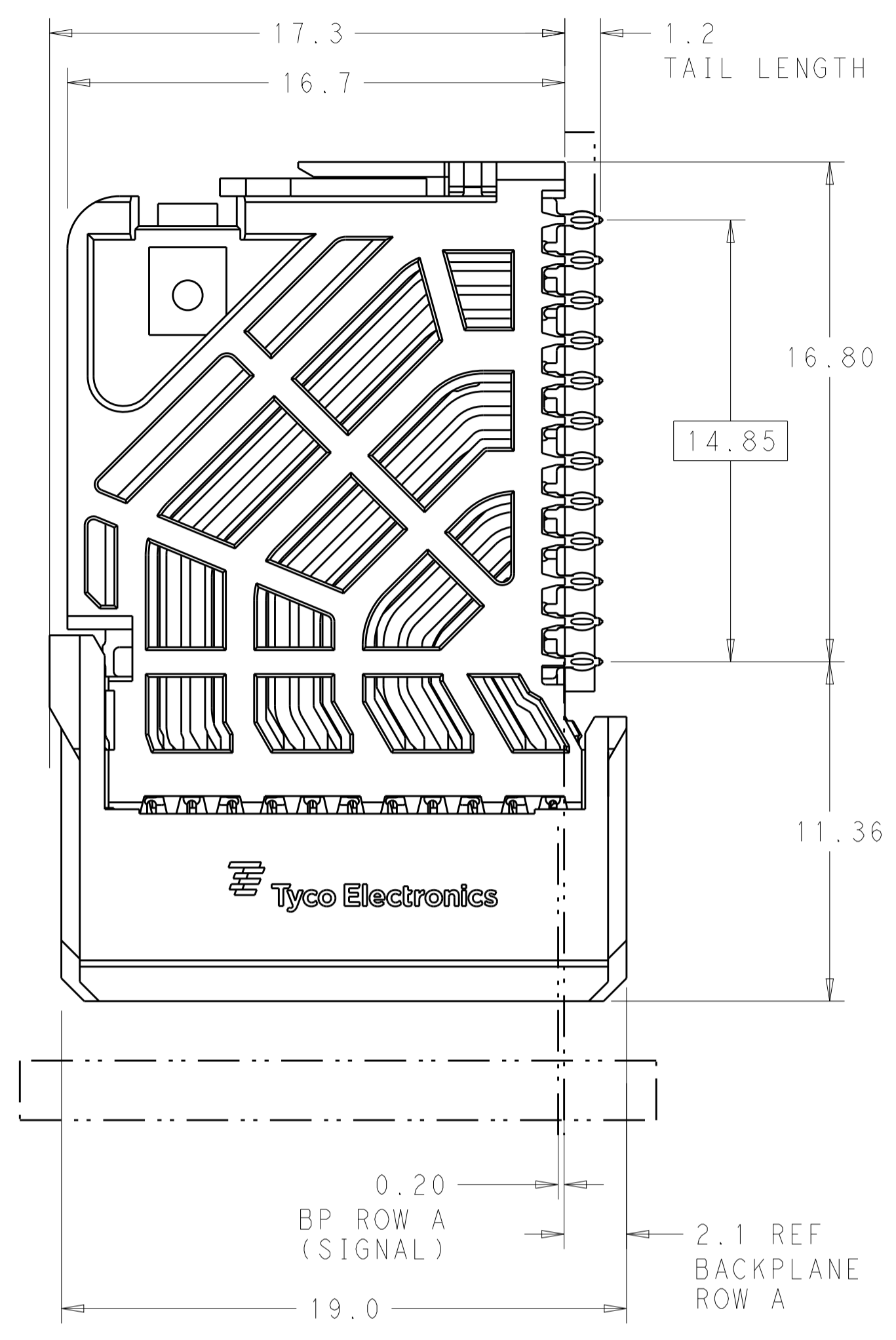
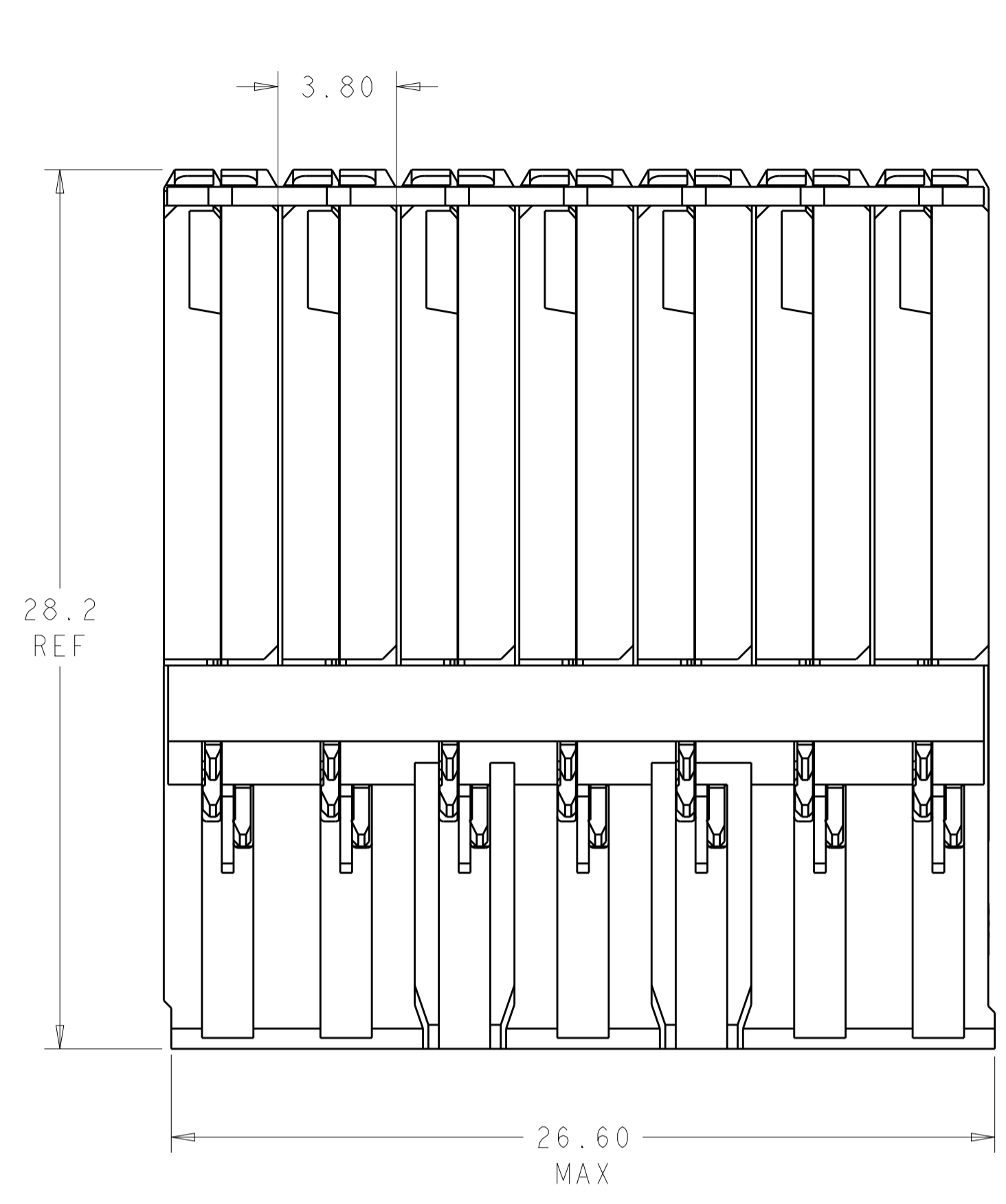
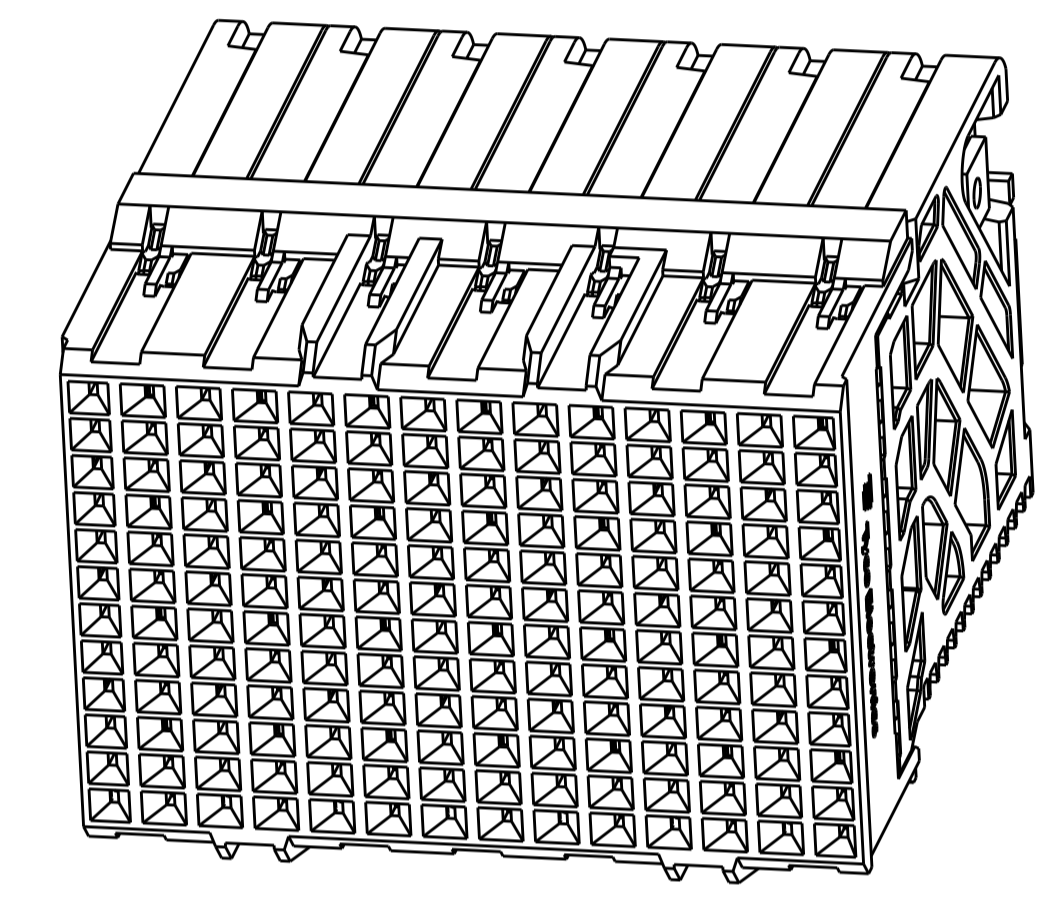


LOC		DIST		REVISIONS			
AD	00	P	LTN	DESCRIPTION	DATE	DWN	APVD
		A		REVISED PER ECO-14-018036	18FEB2015	AP	DD

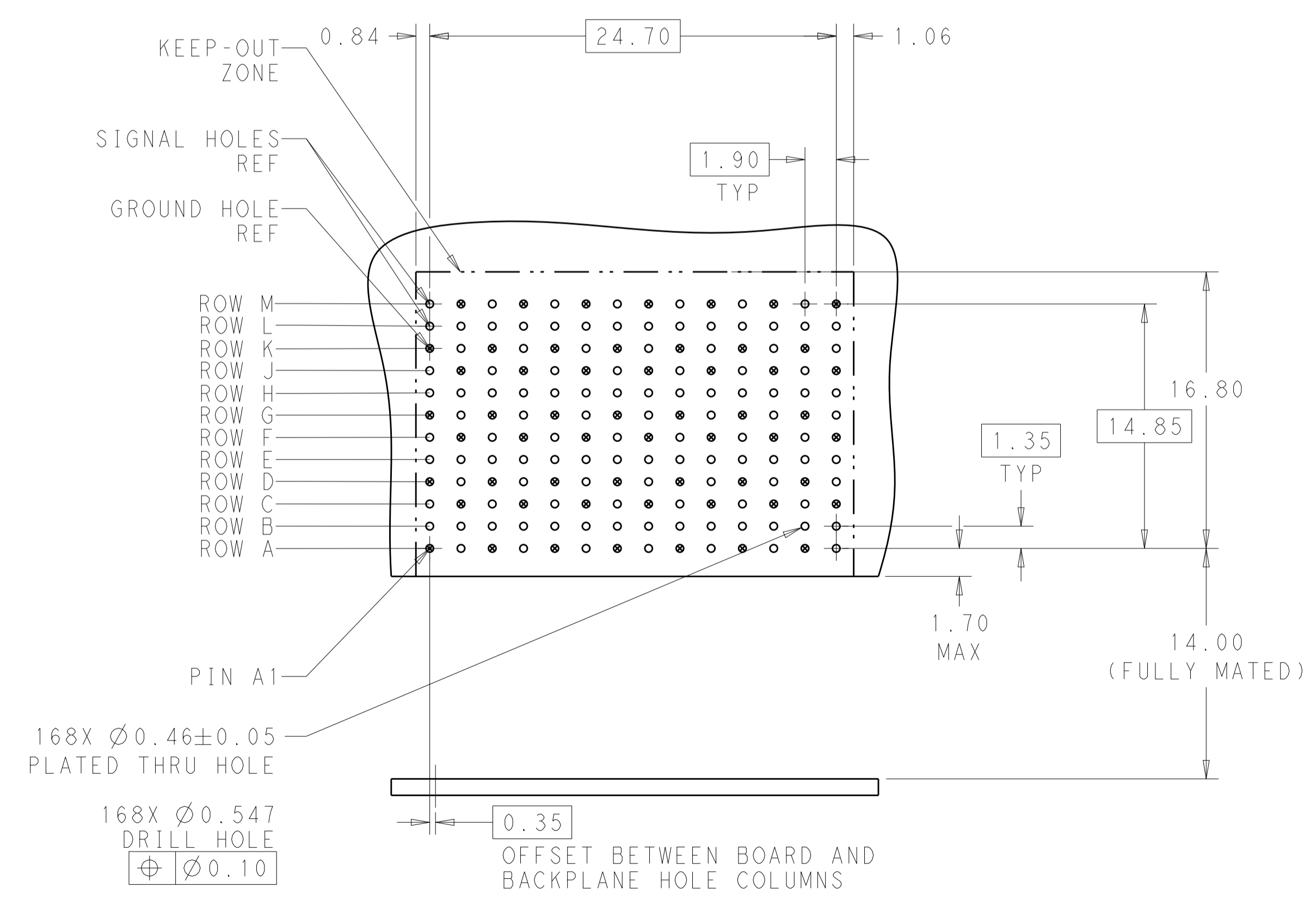
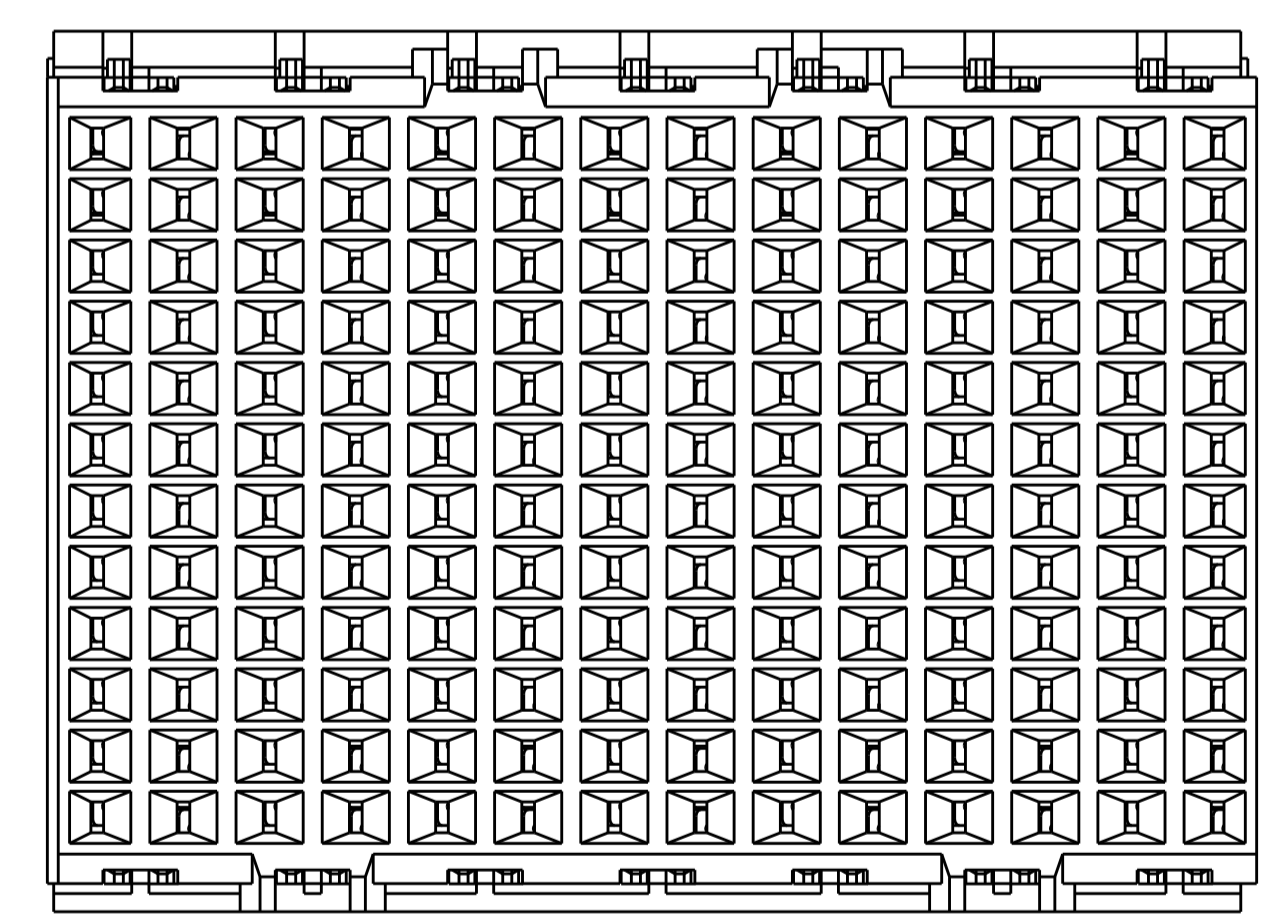


⚠ MATERIAL:
 HOUSING: LCP, GLASS FILLED, UL94V-0.
 TERMINALS: HIGH PERFORMANCE COPPER ALLOY.

⚠ FINISH:
 30µ" SELECTIVE GOLD IN CONTACT AREA. SELECTIVE TIN ON PCB TAILS, NICKEL OVERALL.



SCALE 4:1



RECOMMENDED PCB LAYOUT
 MIN BOARD THICKNESS 1.0

REFER TO WWW.TE.COM FOR PRODUCT AVAILABILITY

NONE	⚠	2057964-1
KEY POSITION	FINISH	PART NUMBER

THIS DRAWING IS A CONTROLLED DOCUMENT.		DWN: KIRAN HOLLA 10NOV2012	TE Connectivity NAME: IMPACT, 4 PAIR, DAUGHTERCARD 14 COLUMN, UNGUIDED, SIGNAL MODULE, 0.46 EYELET SIZE: CAGE CODE: DRAWING NO: RESTRICTED TO: A100779C=2057964 WEIGHT: - SCALE: 6:1 SHEET 1 OF 1 REV A
DIMENSIONS: mm		CHK: D. DIXON 10NOV2012	
TOLERANCES UNLESS OTHERWISE SPECIFIED:		APVD: D. DIXON 10NOV2012	
0 PLC ± 1 PLC ±0.2 2 PLC ±0.13 3 PLC ± 4 PLC ± ANGLES ±		PRODUCT SPEC	
MATERIAL: ⚠ SEE TABLE		APPLICATION SPEC	
		Customer Drawing	