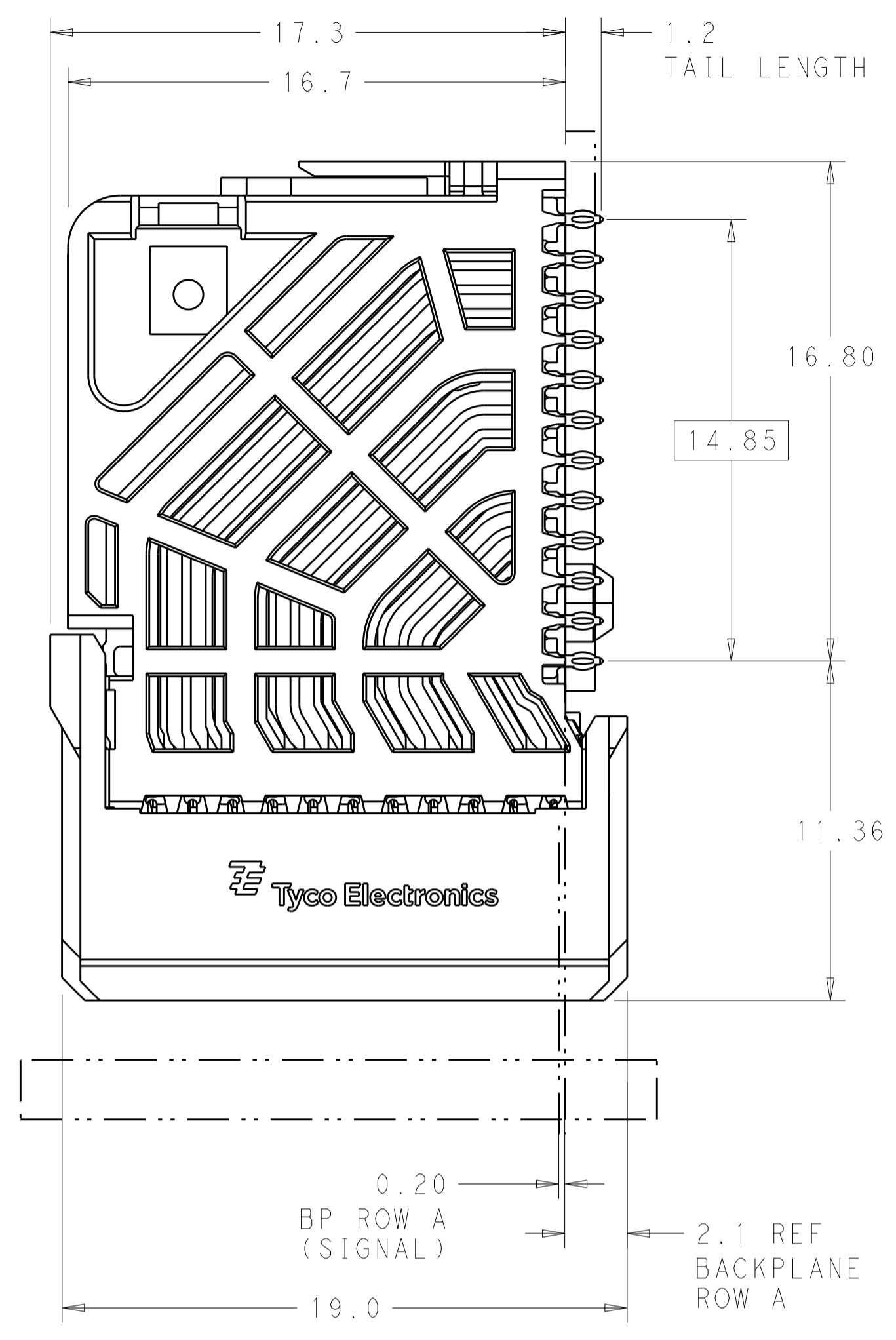
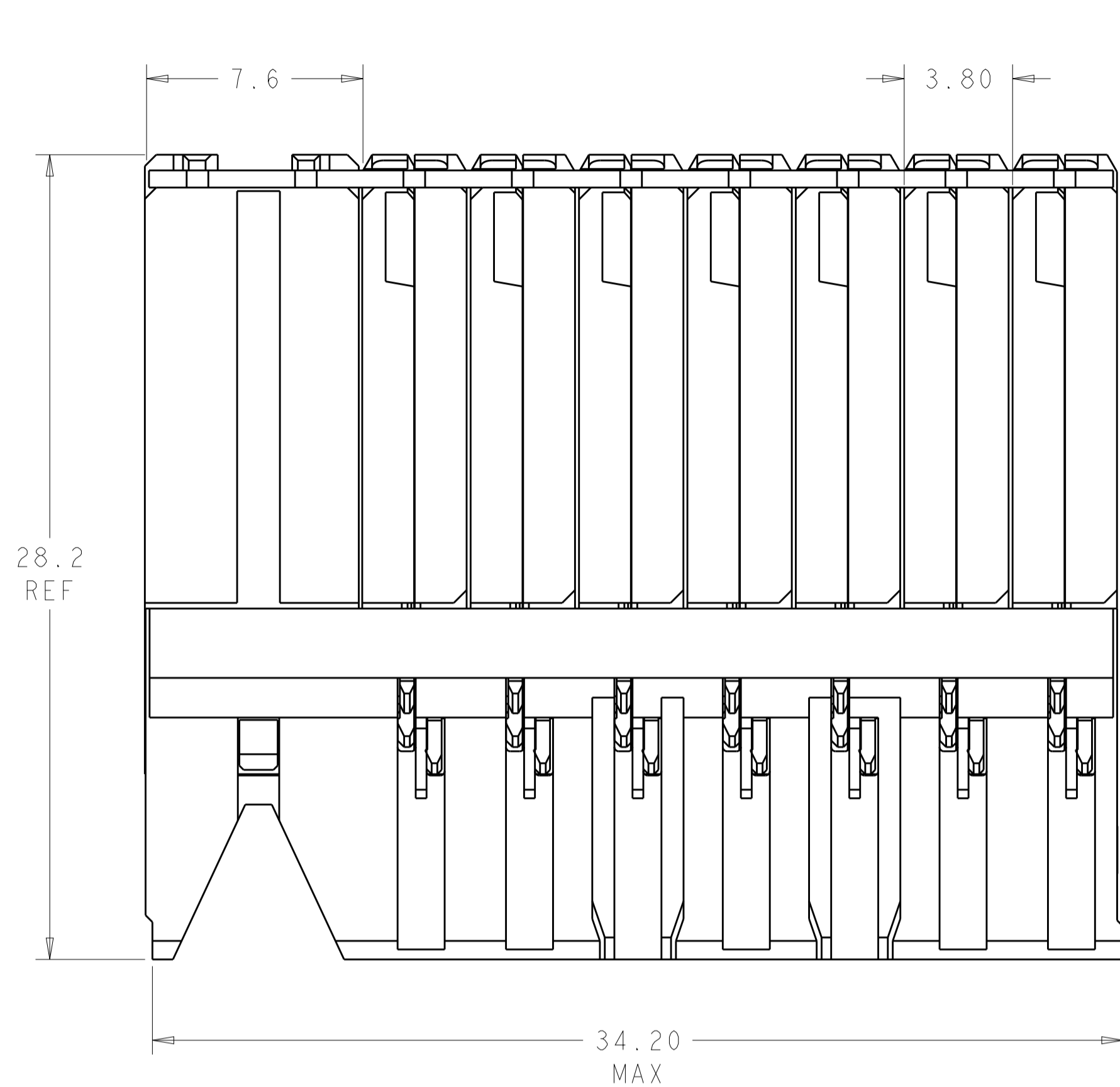
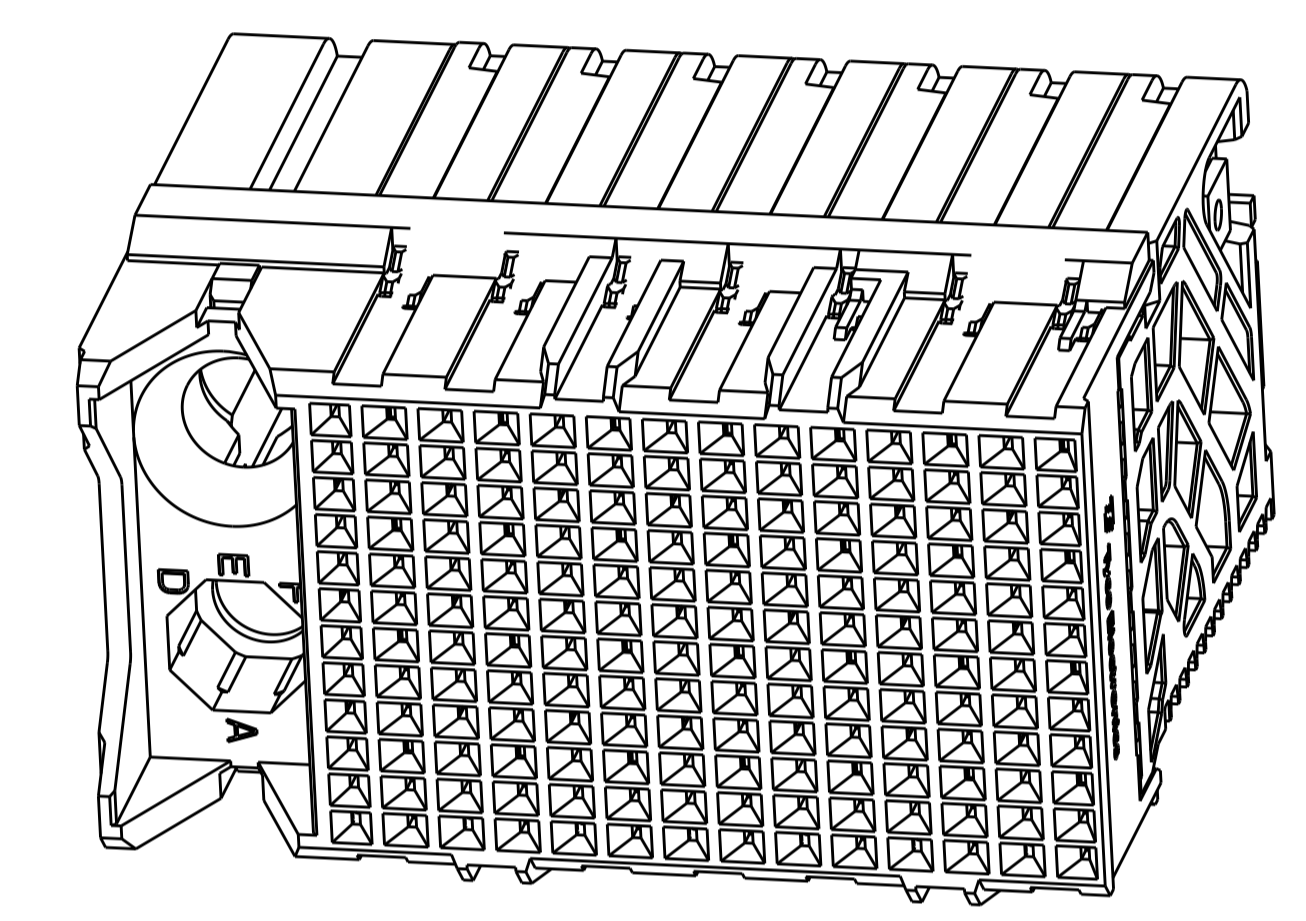


REVISIONS				
P.	LTN	DESCRIPTION	DATE	OWN APVD
A		REVISED PER ECO-14-018036	17FEB2015	AP DD

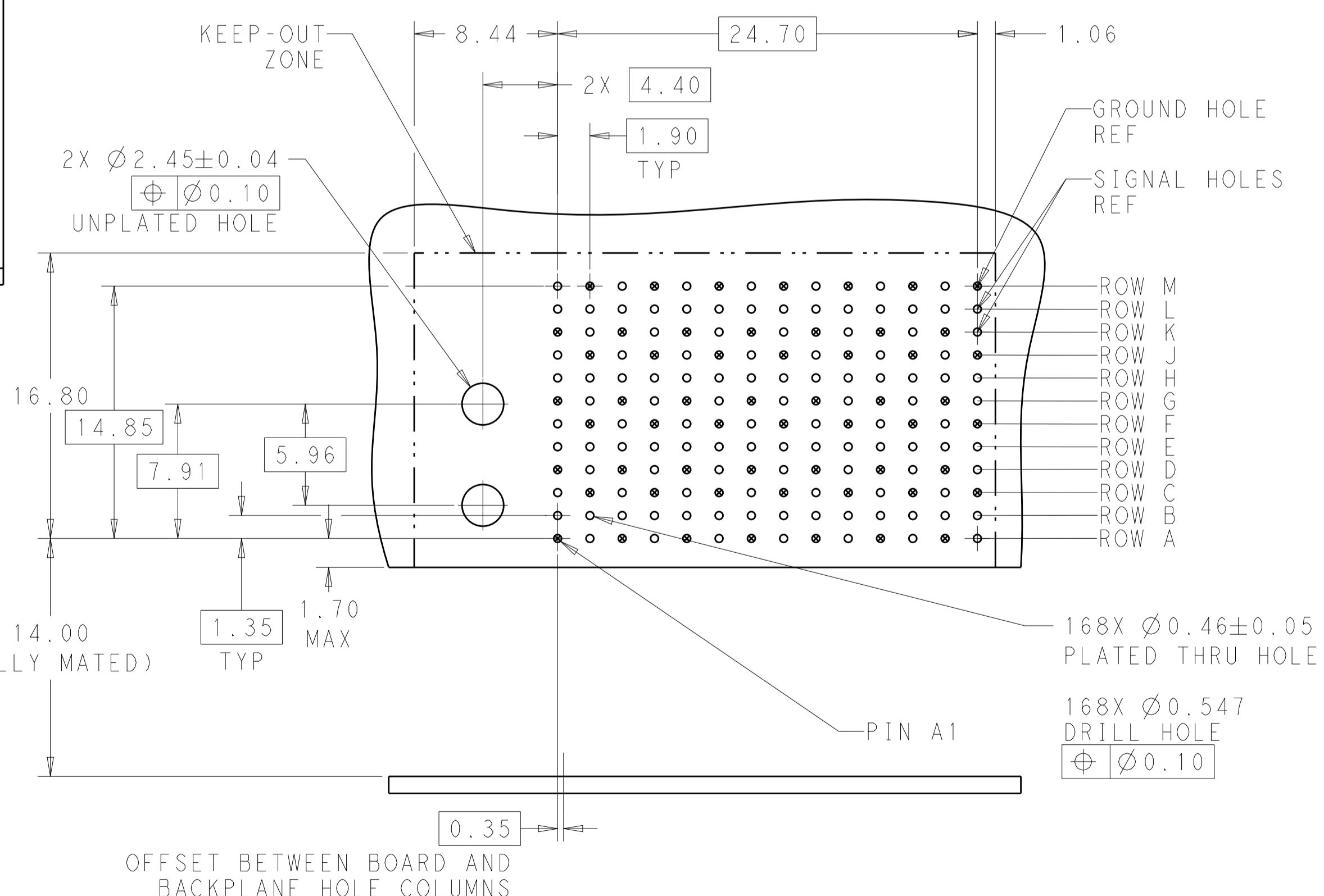
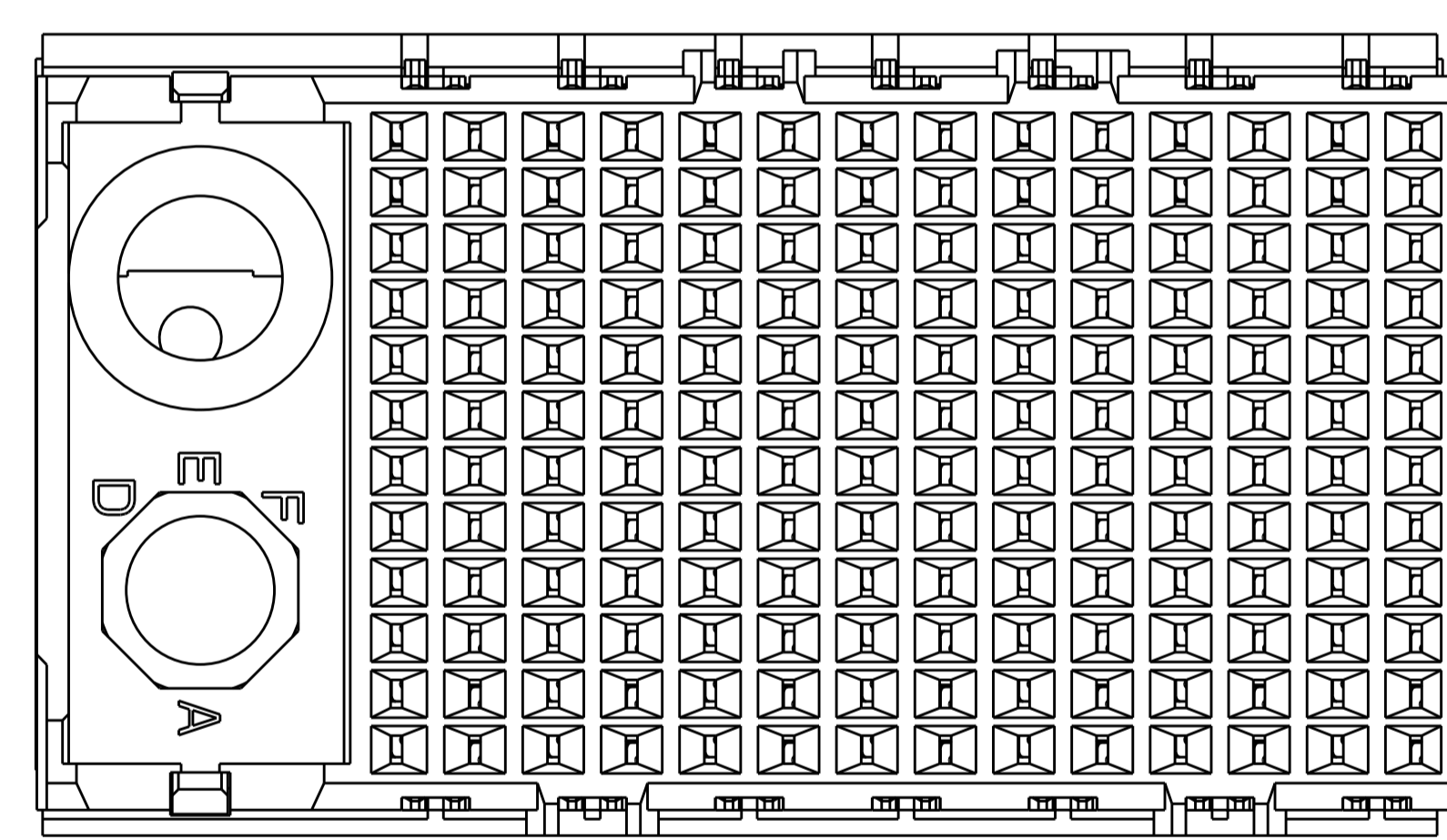


- MATERIAL:  
HOUSING: LCP, GLASS FILLED, UL94V-0.  
TERMINALS: HIGH PERFORMANCE COPPER ALLOY.
- FINISH:  
30µ" SELECTIVE GOLD IN CONTACT AREA. SELECTIVE TIN ON PCB TAILS, NICKEL OVERALL.
- CONNECTORS SUPPLIED WITH MOUNTING SCREWS.



SCALE 4:1

REFER TO WWW.TE.COM FOR PRODUCT AVAILABILITY



KEY POSITION CHART	
	NONE
	A
	B
	C
	D
	E
	F
	G
	H

KEY POSITION	FINISH	PART NUMBER
H		8-2057962-1
G		7-2057962-1
F		6-2057962-1
E		5-2057962-1
D		4-2057962-1
C		3-2057962-1
B		2-2057962-1
A		1-2057962-1
NONE		2057962-1

OFFSET BETWEEN BOARD AND BACKPLANE HOLE COLUMNS

RECOMMENDED PCB LAYOUT  
MIN BOARD THICKNESS 1.0

THIS DRAWING IS A CONTROLLED DOCUMENT.

OWN: A. IRAN HOLA 10NOV2012  
CHK: D. DIXON 10NOV2012  
APVD: D. DIXON 10NOV2012

TE Connectivity

IMPACT, 4 PAIR, DAUGHTERCARD  
14 COLUMN, LEFT GUIDED, SIGNAL  
MODULE, 0.36 EYELET

SIZE: A1 00779 ©=2057962

Customer Drawing

SCALE: 6:1 SHEET: 1 OF 1 REV: A