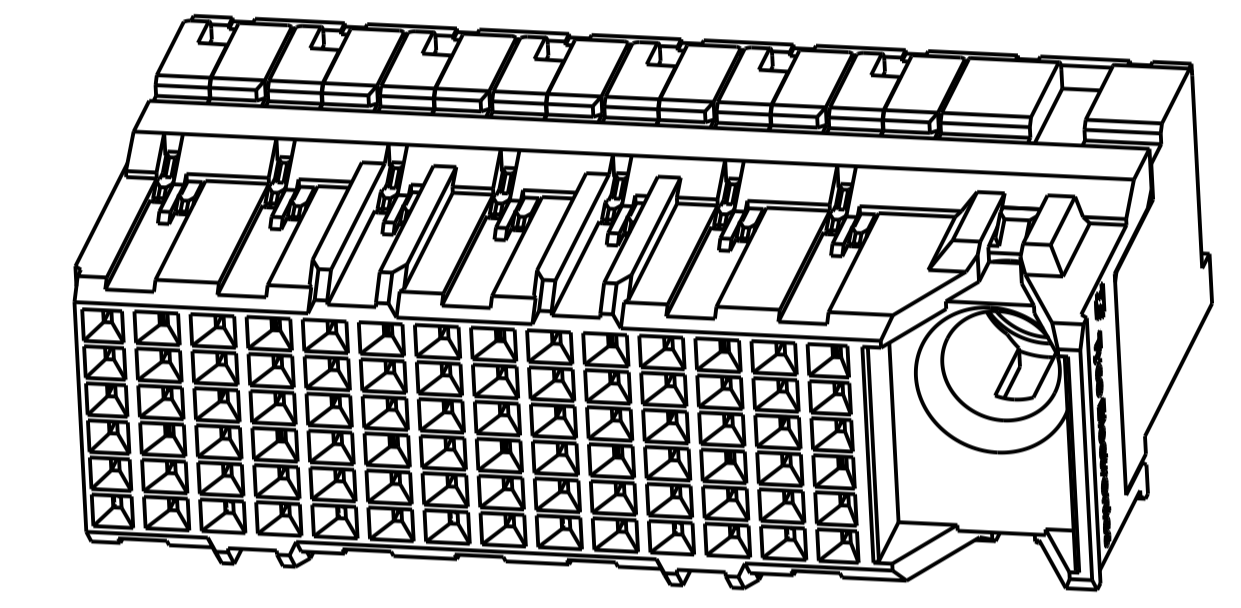
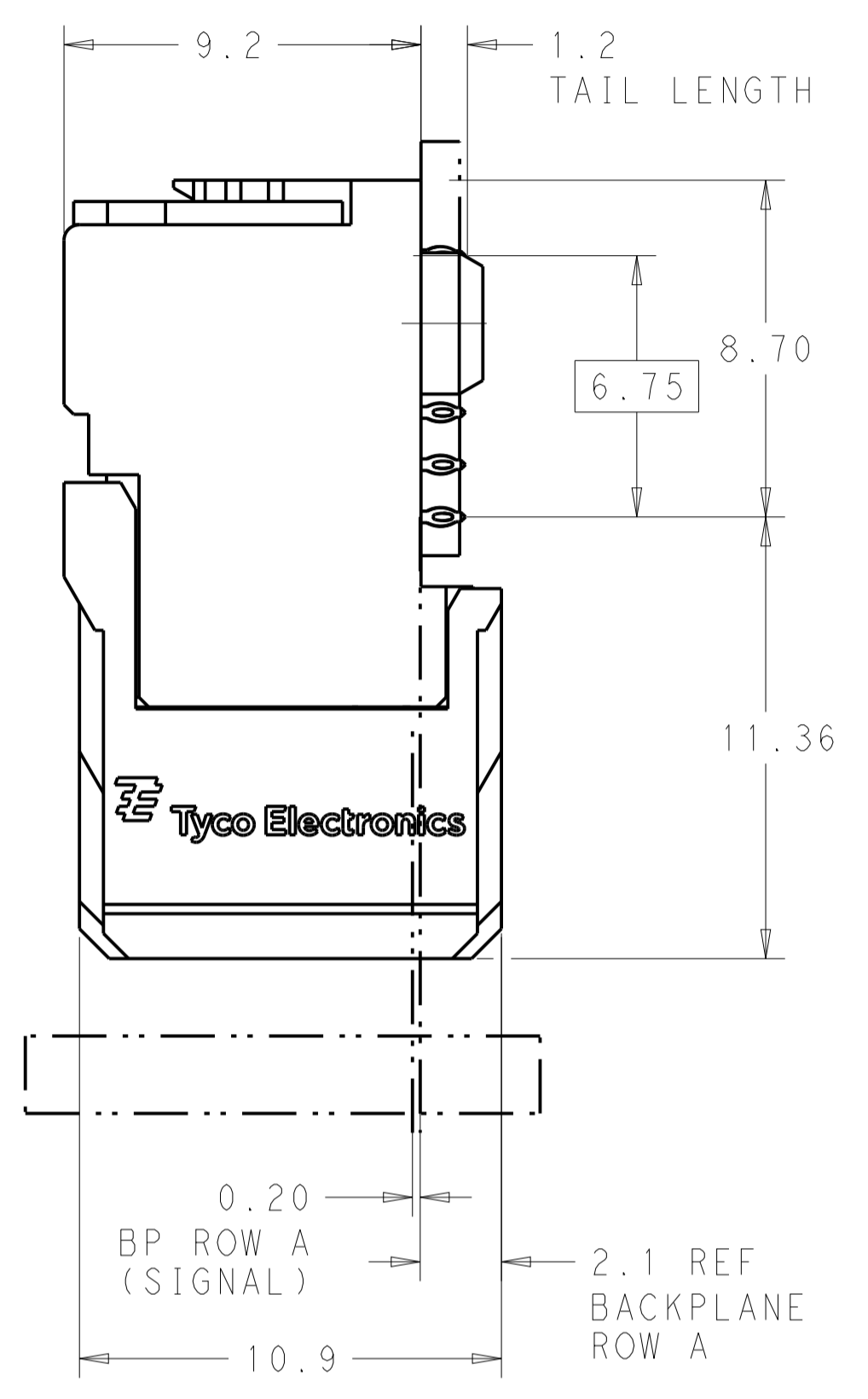
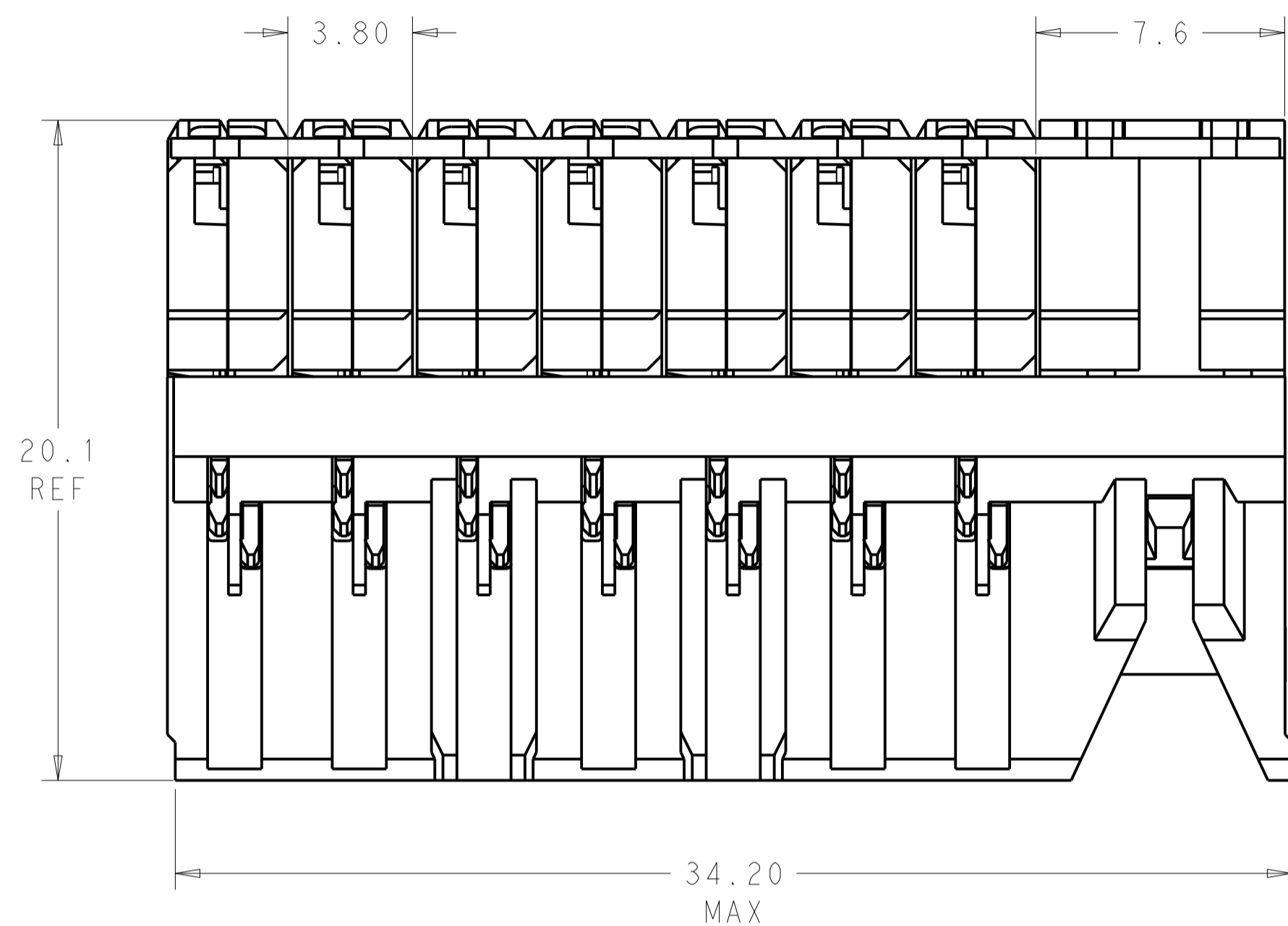
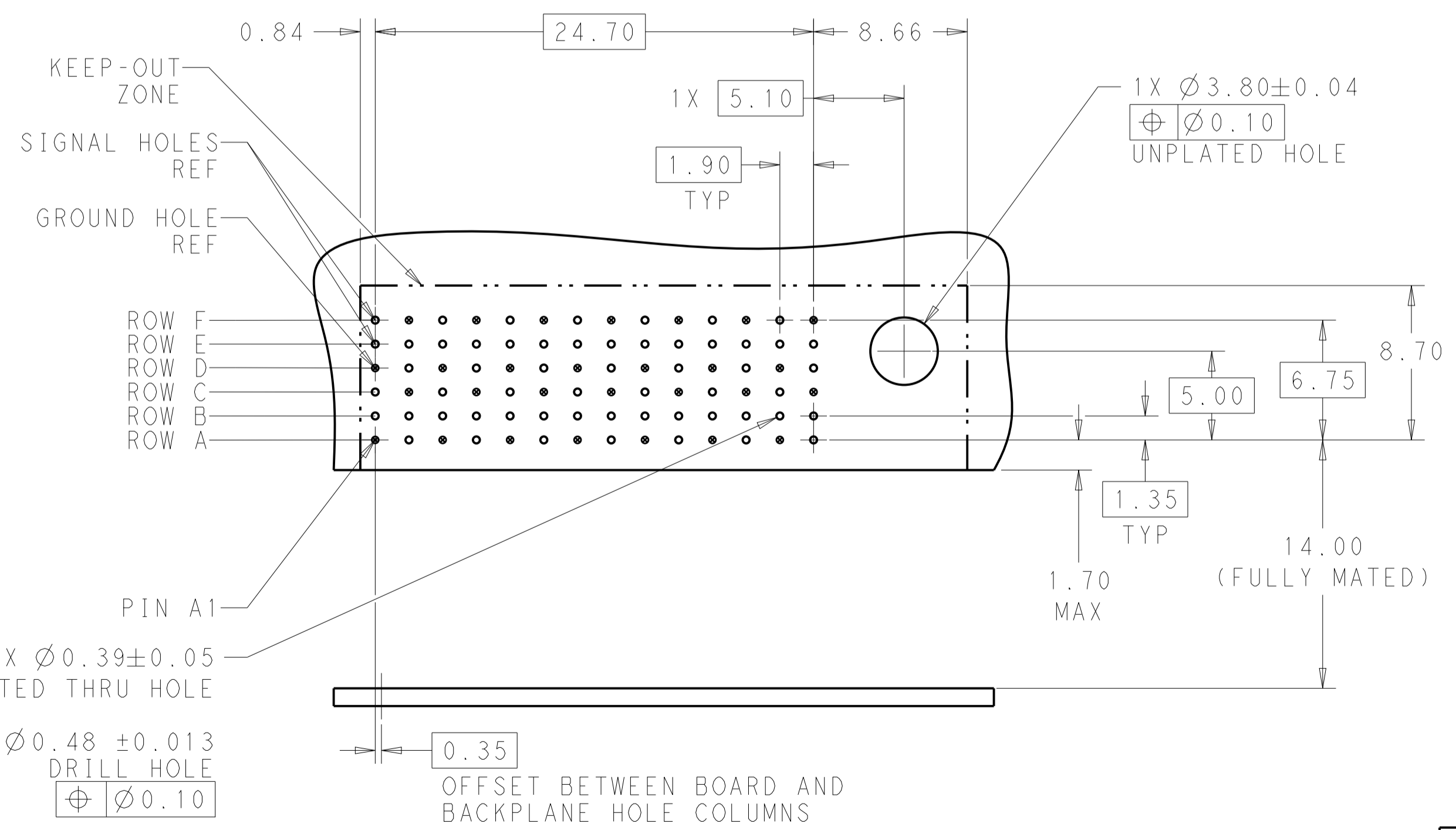
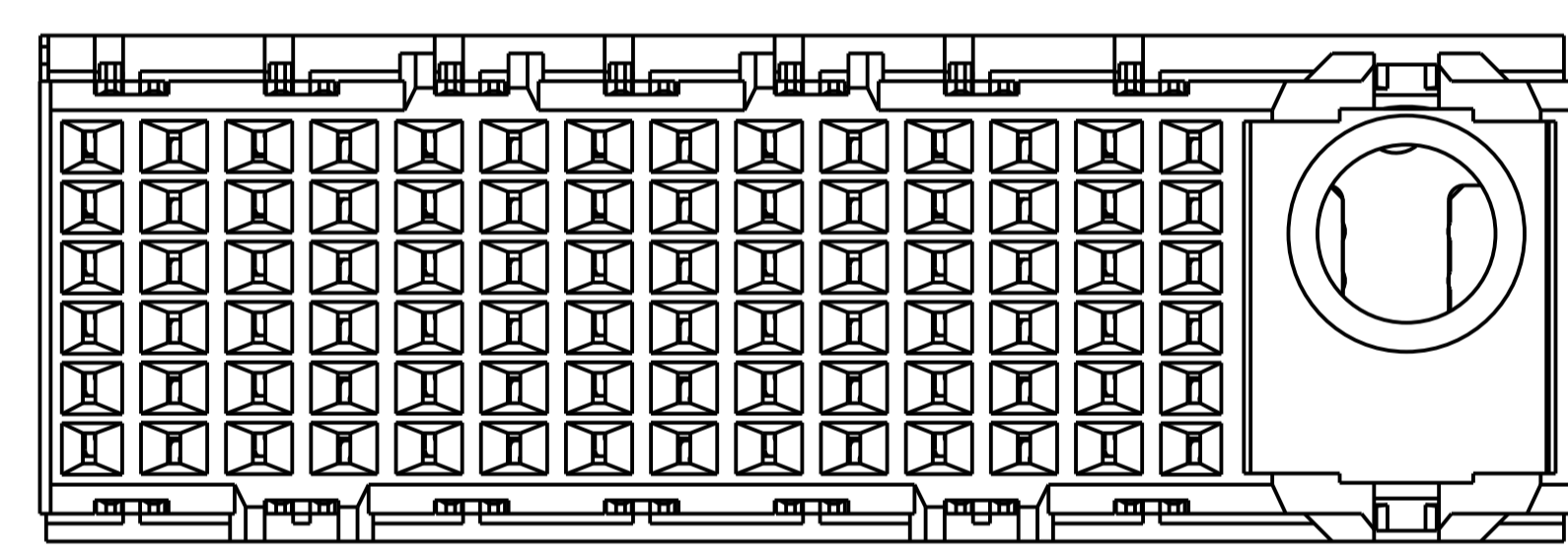


REVISIONS				
P.	LTN.	DESCRIPTION	DATE	APVD.
A		REVISED PER ECO-14-017984	03DEC2014	AP DD



SCALE 4:1

REFER TO WWW.TE.COM FOR PRODUCT AVAILABILITY



RECOMMENDED PCB LAYOUT  
MIN BOARD THICKNESS 1.6

⚠ MATERIAL:  
HOUSING: LCP, GLASS FILLED, UL94V-0.  
TERMINALS: HIGH PERFORMANCE COPPER ALLOY.

⚠ FINISH:  
30  $\mu$ m SELECTIVE GOLD IN CONTACT AREA. SELECTIVE TIN ON PCB TAILS, NICKEL OVERALL.

3. CONNECTORS SUPPLIED WITH MOUNTING SCREWS.

NONE	⚠	2057942-1
KEY POSITION	FINISH	PART NUMBER

THIS DRAWING IS A CONTROLLED DOCUMENT.		DWN: KIRAN HOLAL 16NOV2012	TE Connectivity	
DIMENSIONS: mm		CHK: D. DIXON 16NOV2012		
TOLERANCES UNLESS OTHERWISE SPECIFIED:		APVD: D. DIXON 16NOV2012		
0 PLC	±	NAME	IMPACT, 2 PAIR, DAUGHTERCARD	
1 PLC	±0.2	PRODUCT SPEC	14 COLUMN, RIGHT GUIDED, SIGNAL	
2 PLC	±0.13	APPLICATION SPEC	MODULE, 0.39 EYELET	
3 PLC	±	SIZE	A100779C=2057942	
4 PLC	±	WEIGHT	Customer Drawing	
ANGLES	±	SCALE	6:1	
MATERIAL	SEE TABLE	SHEET	1 OF 1	
FINISH	SEE TABLE	REV	A	