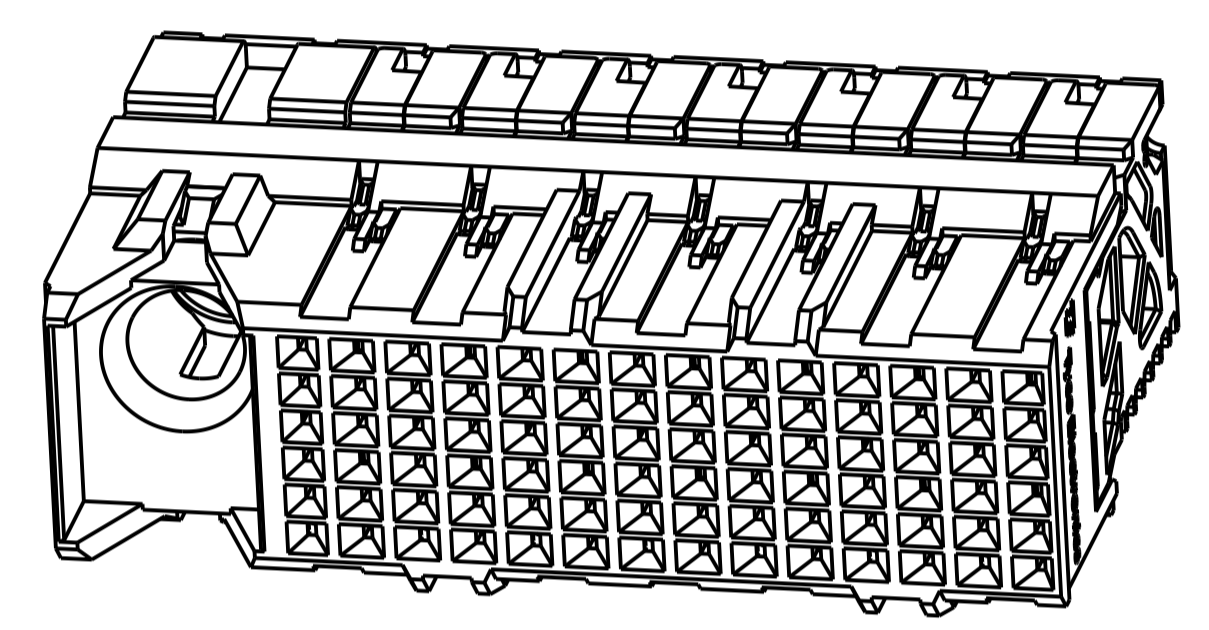
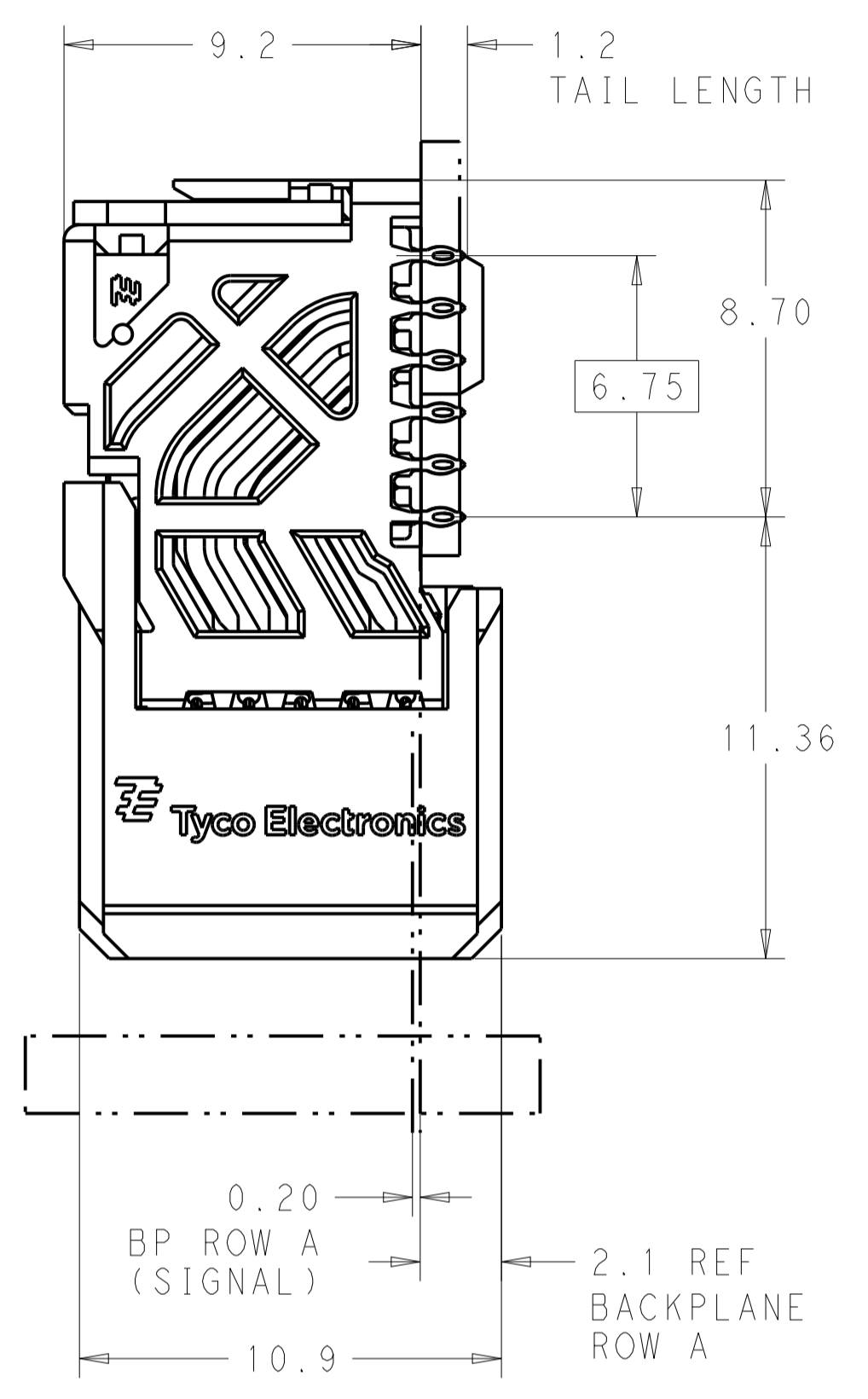
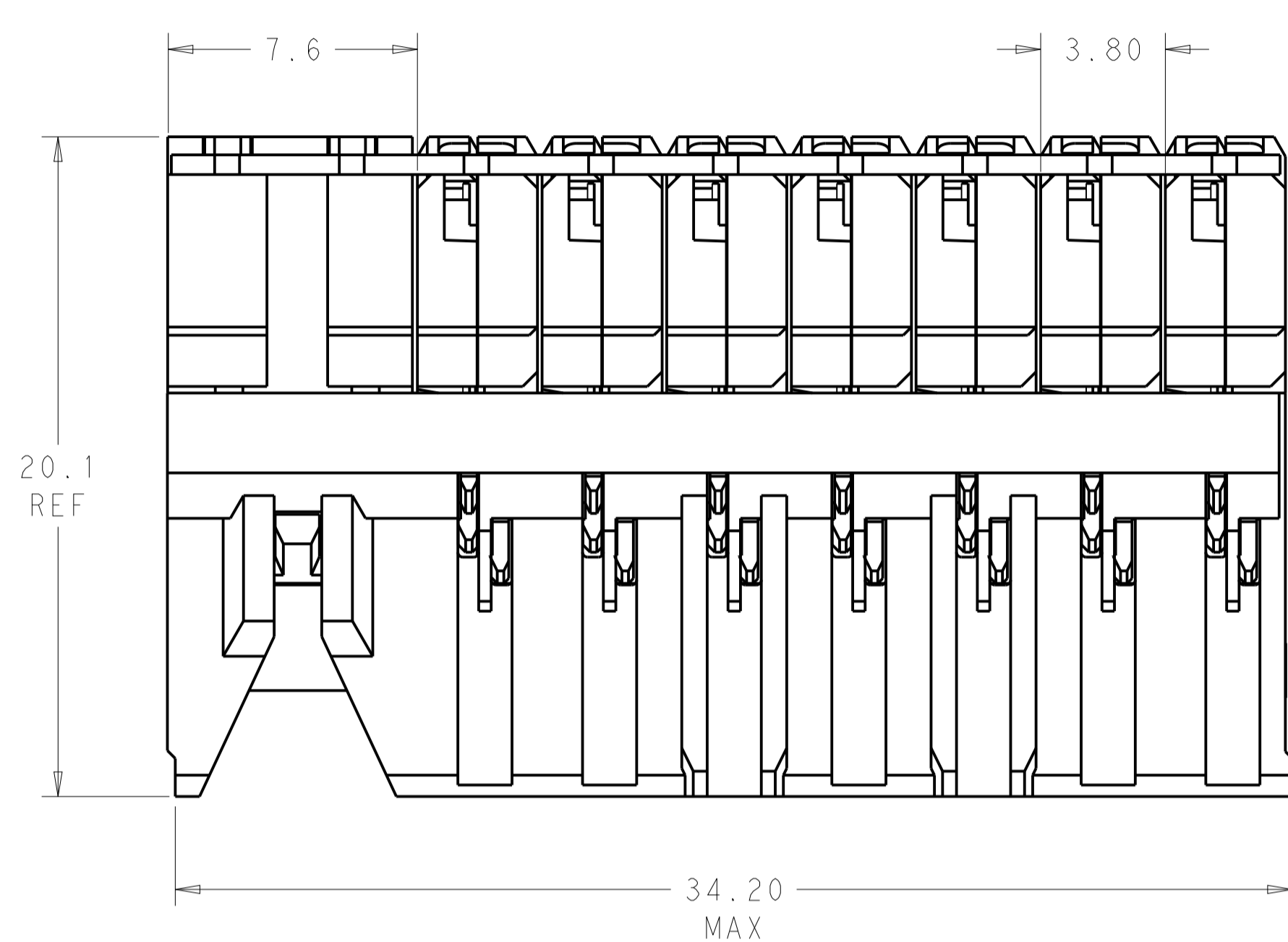


REVISIONS				
P.	LTN.	DESCRIPTION	DATE	OWN. APVD.
A		REVISED PER ECO-14-017984	03DEC2014	AP DD

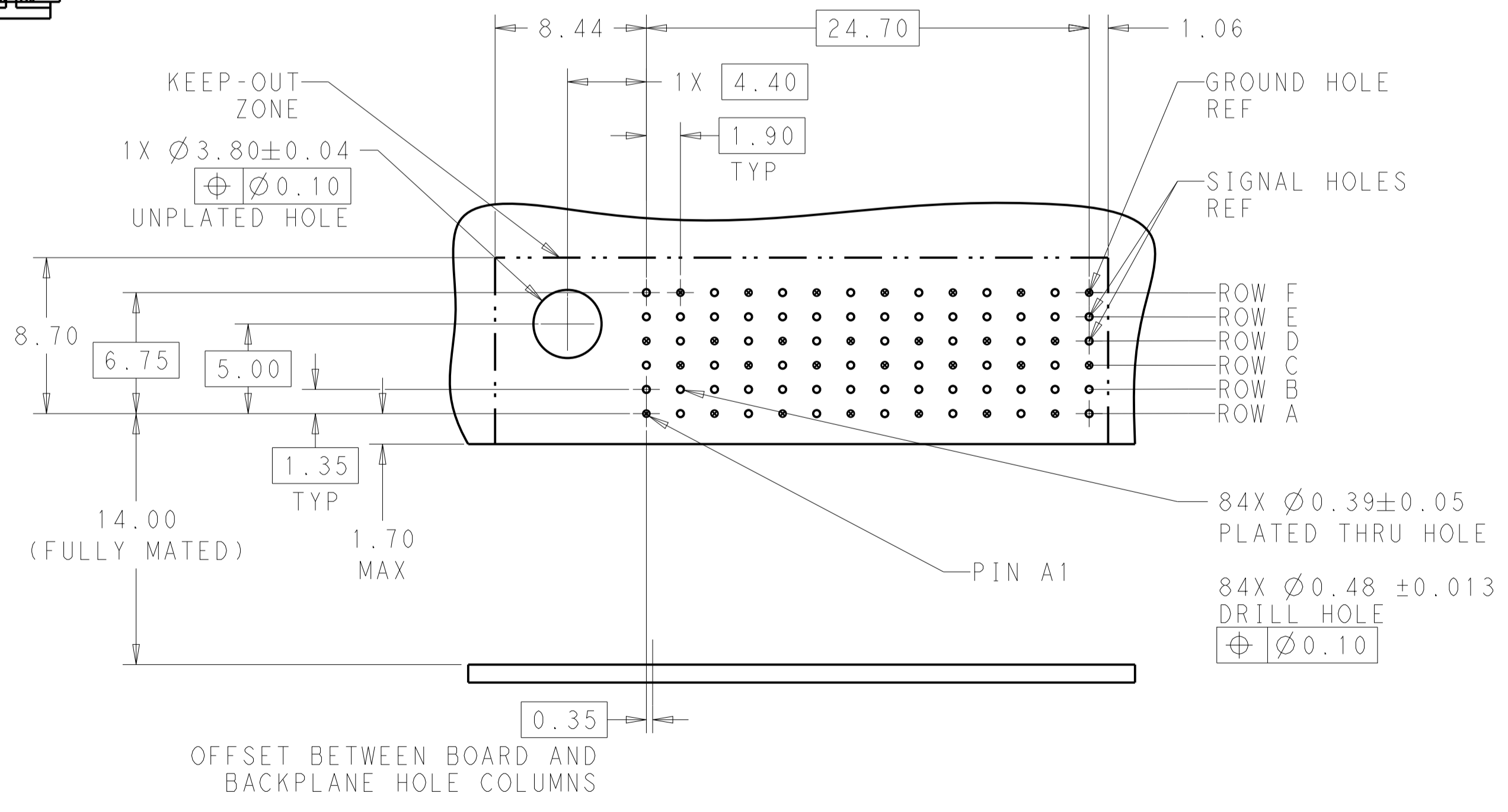
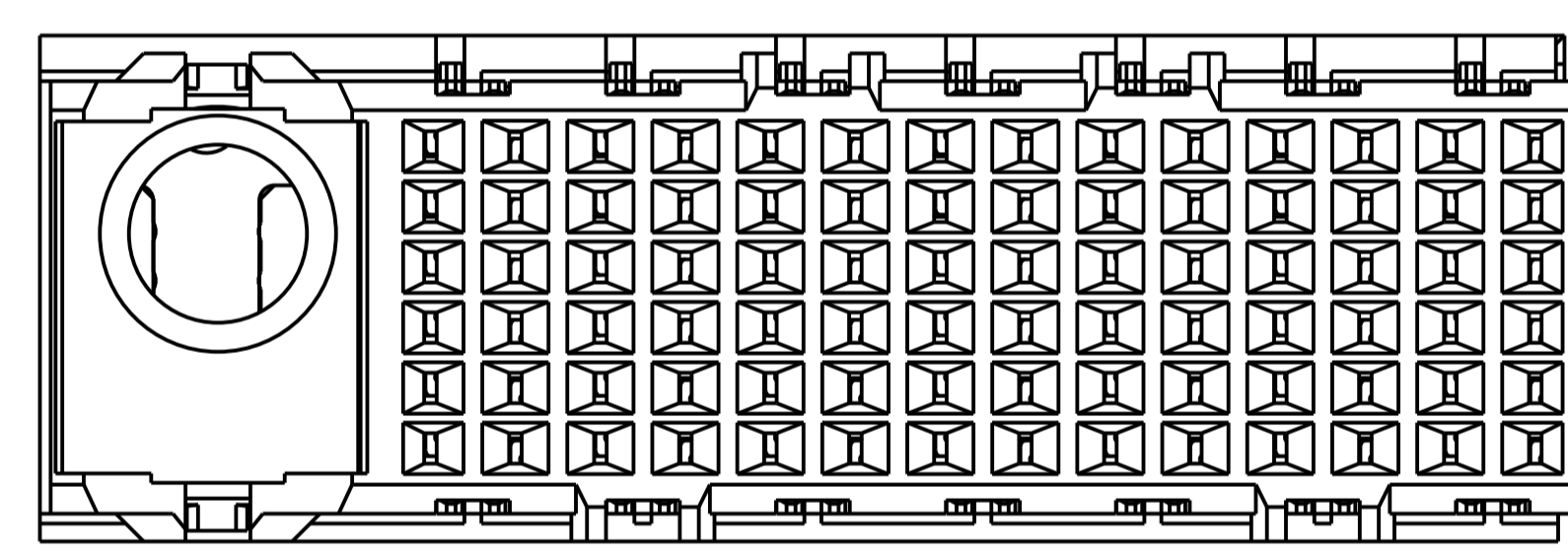
⚠ MATERIAL:  
 HOUSING: LCP, GLASS FILLED, UL94V-0.  
 TERMINALS: HIGH PERFORMANCE COPPER ALLOY.

⚠ FINISH:  
 30µ" SELECTIVE GOLD IN CONTACT AREA. SELECTIVE TIN  
 ON PCB TAILS, NICKEL OVERALL.

3. CONNECTORS SUPPLIED WITH MOUNTING SCREWS.



SCALE 4:1



OFFSET BETWEEN BOARD AND BACKPLANE HOLE COLUMNS  
 RECOMMENDED PCB LAYOUT  
 MIN BOARD THICKNESS 1.6

REFER TO WWW.TE.COM FOR PRODUCT AVAILABILITY

NONE	⚠	2057941-1
KEY POSITION	FINISH	PART NUMBER

THIS DRAWING IS A CONTROLLED DOCUMENT.		OWN. KIRAN HOLLAL 16NOV2012	TE Connectivity	
DIMENSIONS: mm		CHK. D. DIXON 16NOV2012		
TOLERANCES UNLESS OTHERWISE SPECIFIED:		APVD. D. DIXON 16NOV2012		
0 PLC ±0.2	1 PLC ±0.2	NAME	IMPACT, 2 PAIR, DAUGHTERCARD	
2 PLC ±0.13	3 PLC ±	PRODUCT SPEC	14 COLUMN, LEFT GUIDED, SIGNAL	
4 PLC ±	ANGLES ±	APPLICATION SPEC	MODULE, 0.39 EYELET	
MATERIAL	FINISH	WEIGHT	SIZE	RESTRICTED TO
SEE TABLE	SEE TABLE	Customer Drawing	A100779C=2057941	SCALE 6:1 SHEET 1 OF 1 REV A