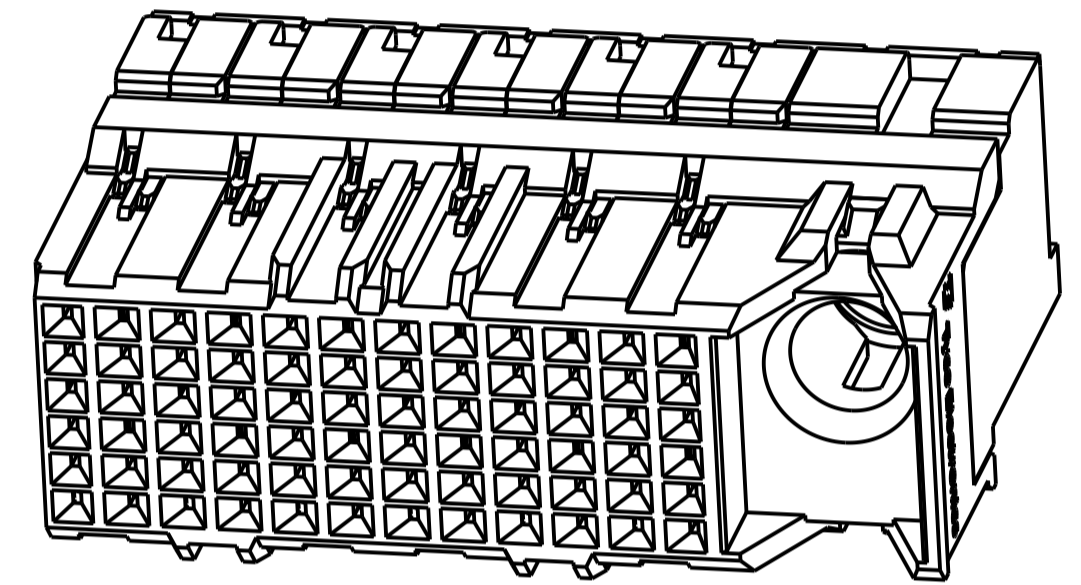
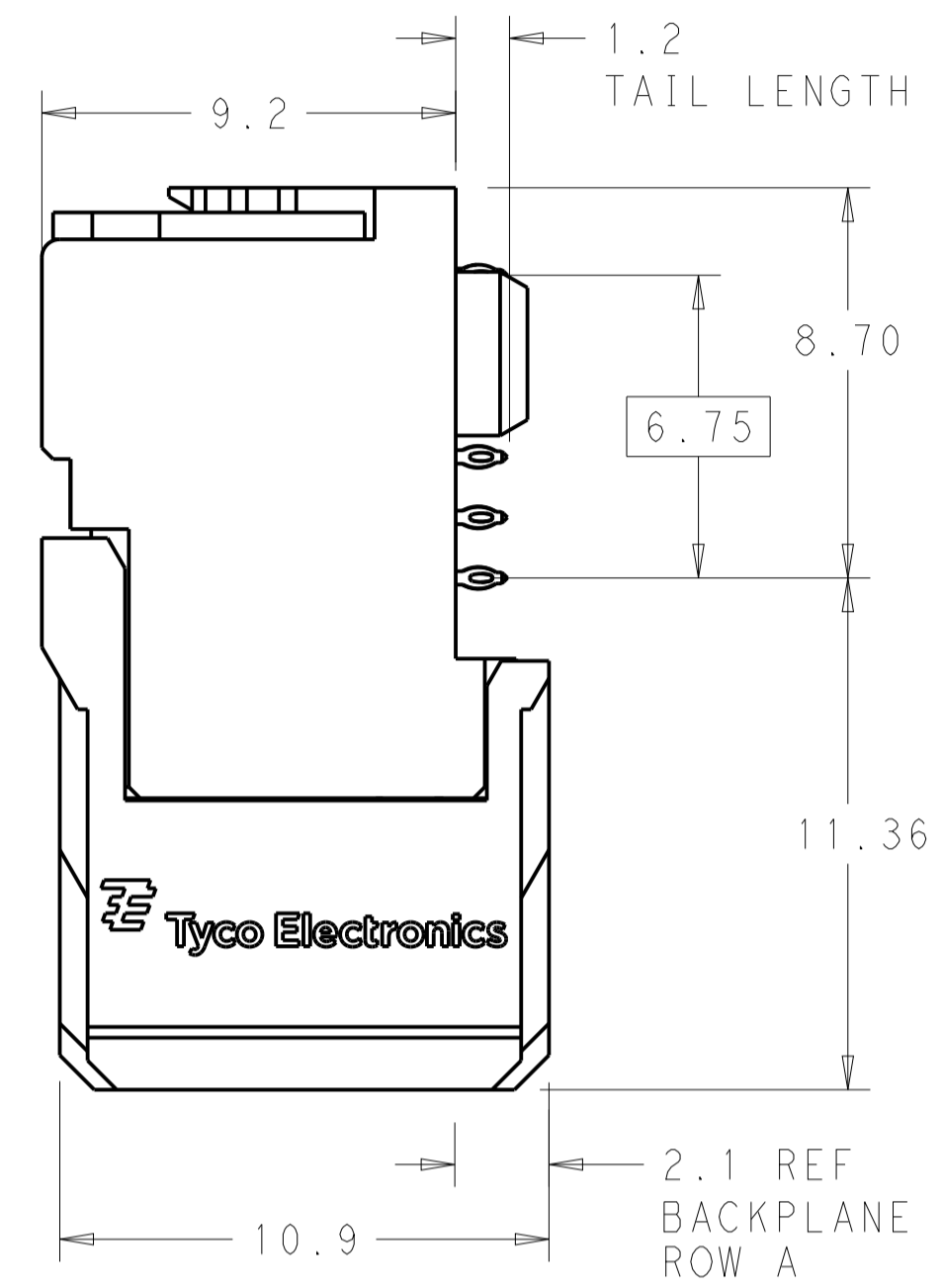
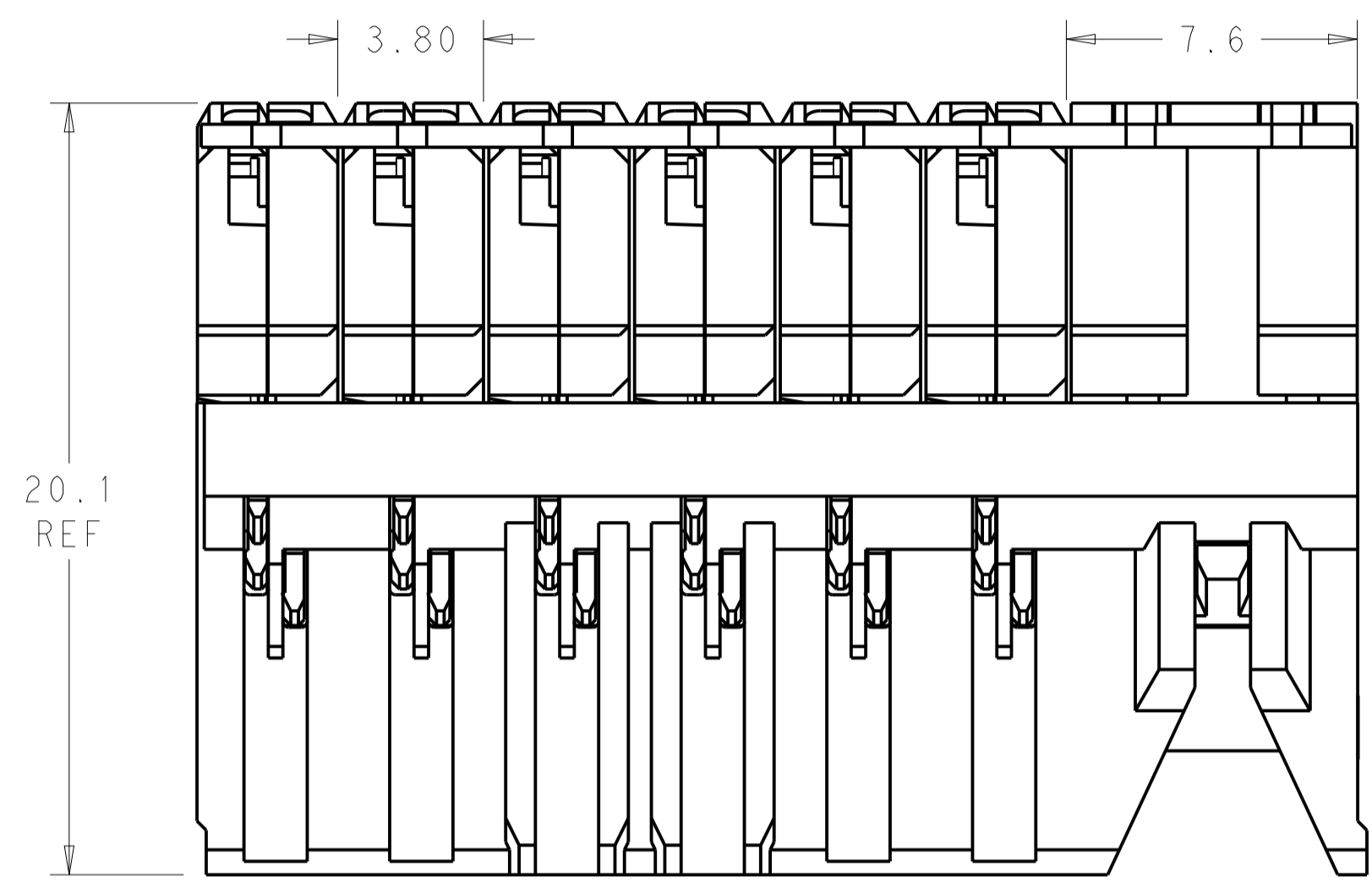


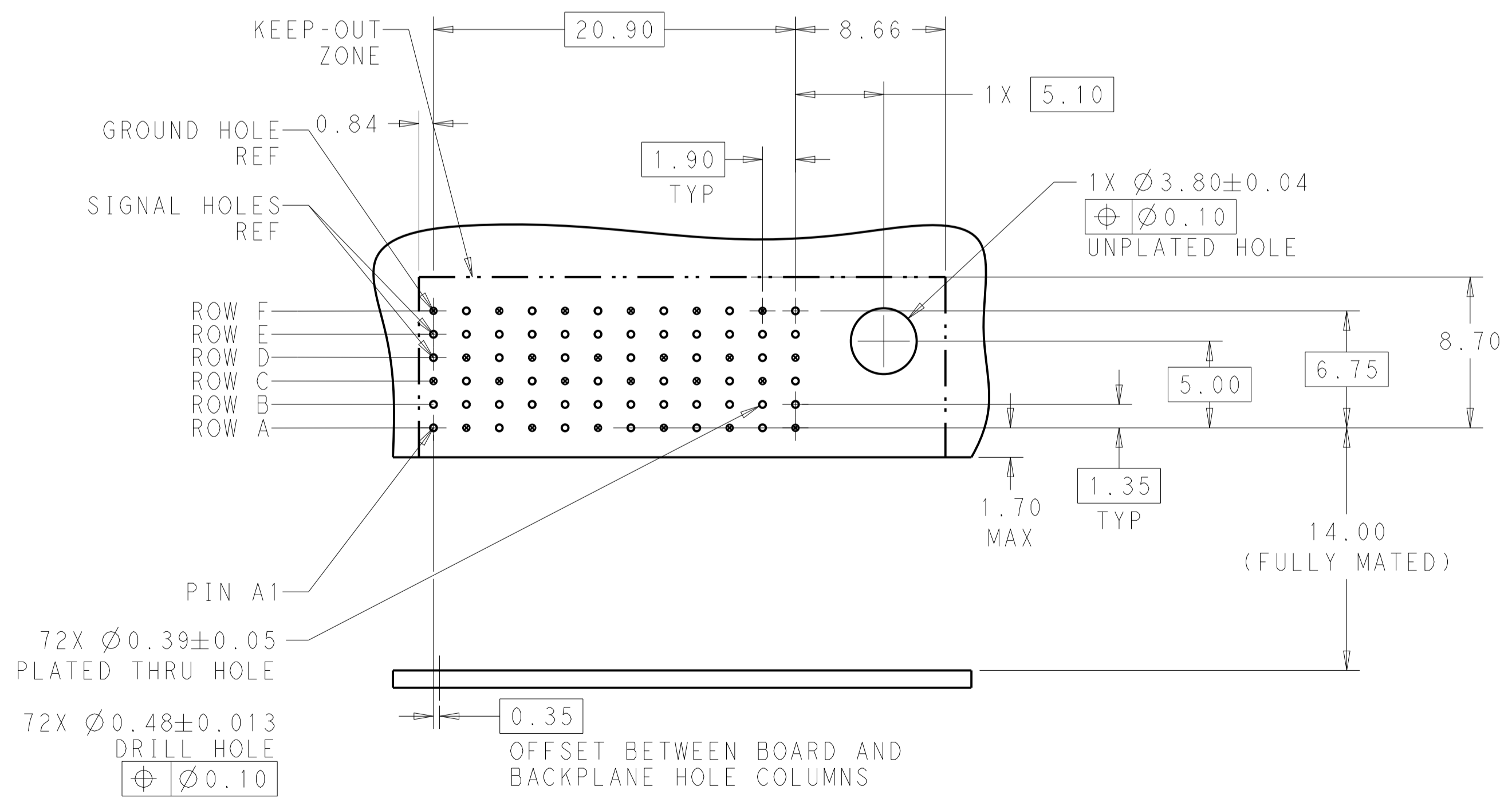
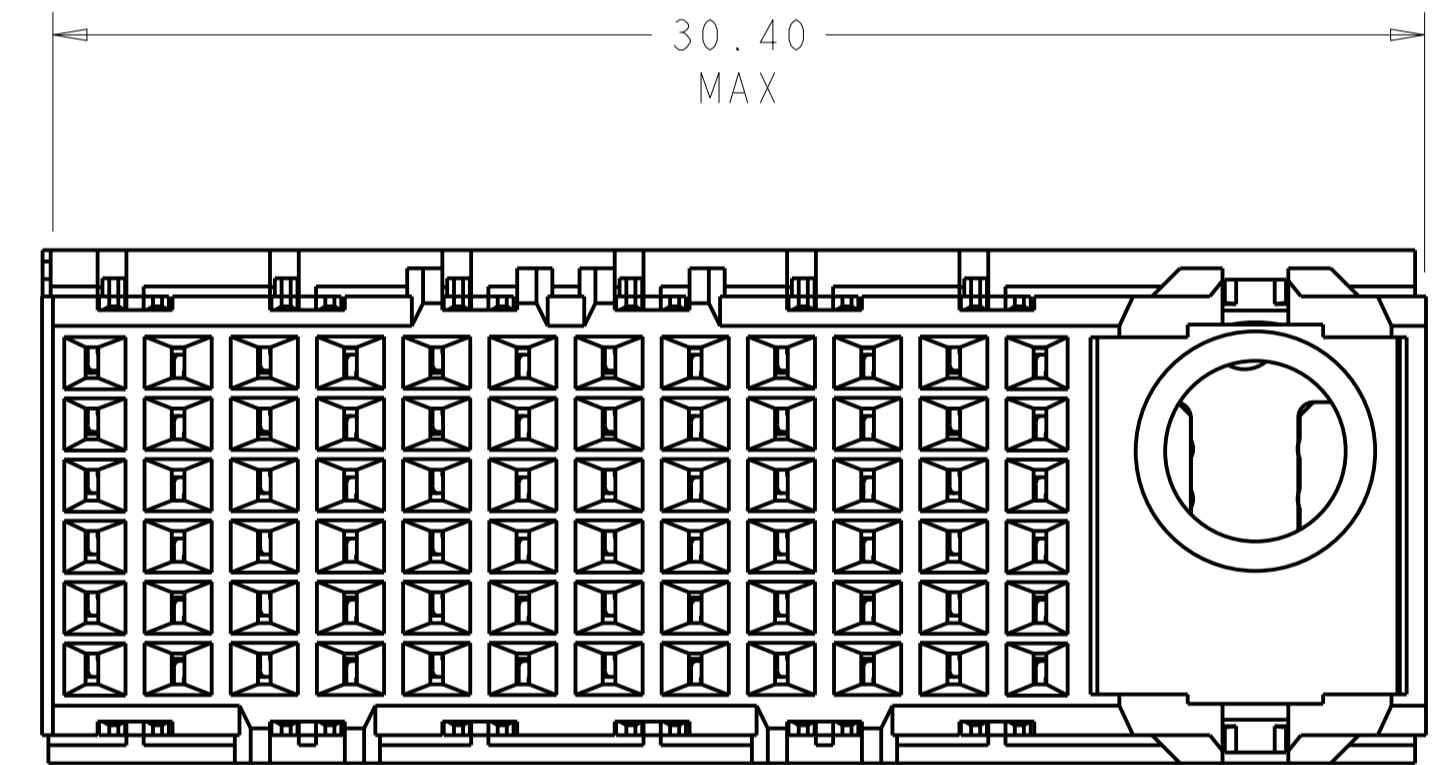
REVISIONS				
P.	LTN	DESCRIPTION	DATE	APVD
A		REVISED PER ECO-14-017984	03DEC2014	AP DD

⚠ MATERIAL:
HOUSING: LCP, GLASS FILLED, UL94V-0.
TERMINALS: HIGH PERFORMANCE COPPER ALLOY.

⚠ FINISH:
30μ" SELECTIVE GOLD IN CONTACT AREA. SELECTIVE TIN ON PCB TAILS, NICKEL OVERALL.



SCALE 4:1



RECOMMENDED PCB LAYOUT
MIN BOARD THICKNESS 1.6

NONE	⚠	2057936-1
KEY POSITION	FINISH	PART NUMBER

THIS DRAWING IS A CONTROLLED DOCUMENT.		DWN B. CARBO 22NOV2010	TE Connectivity	
DIMENSIONS: mm		CHK D. DIXON 22NOV2010		
TOLERANCES UNLESS OTHERWISE SPECIFIED:		APVD D. DIXON 22NOV2010		
0 PLC	±	NAME	IMPACT, 2 PAIR, DAUGHTERCARD	
1 PLC	±0.2	PRODUCT SPEC	12 COLUMN, RIGHT GUIDED, SIGNAL	
2 PLC	±0.13	APPLICATION SPEC	MODULE, 0.39 EYELET	
3 PLC	±	SIZE	A1	RESTRICTED TO
4 PLC	±	WEIGHT	Customer Drawing	
ANGLES	±	SCALE	6:1	SHEET 1 OF 1
MATERIAL	SEE TABLE	REV	A	