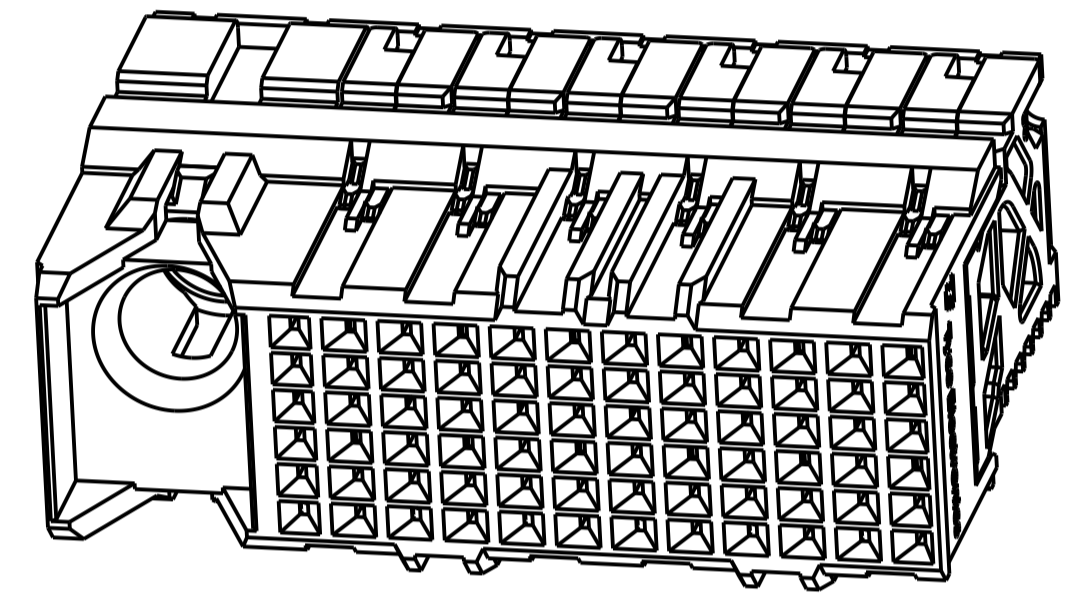
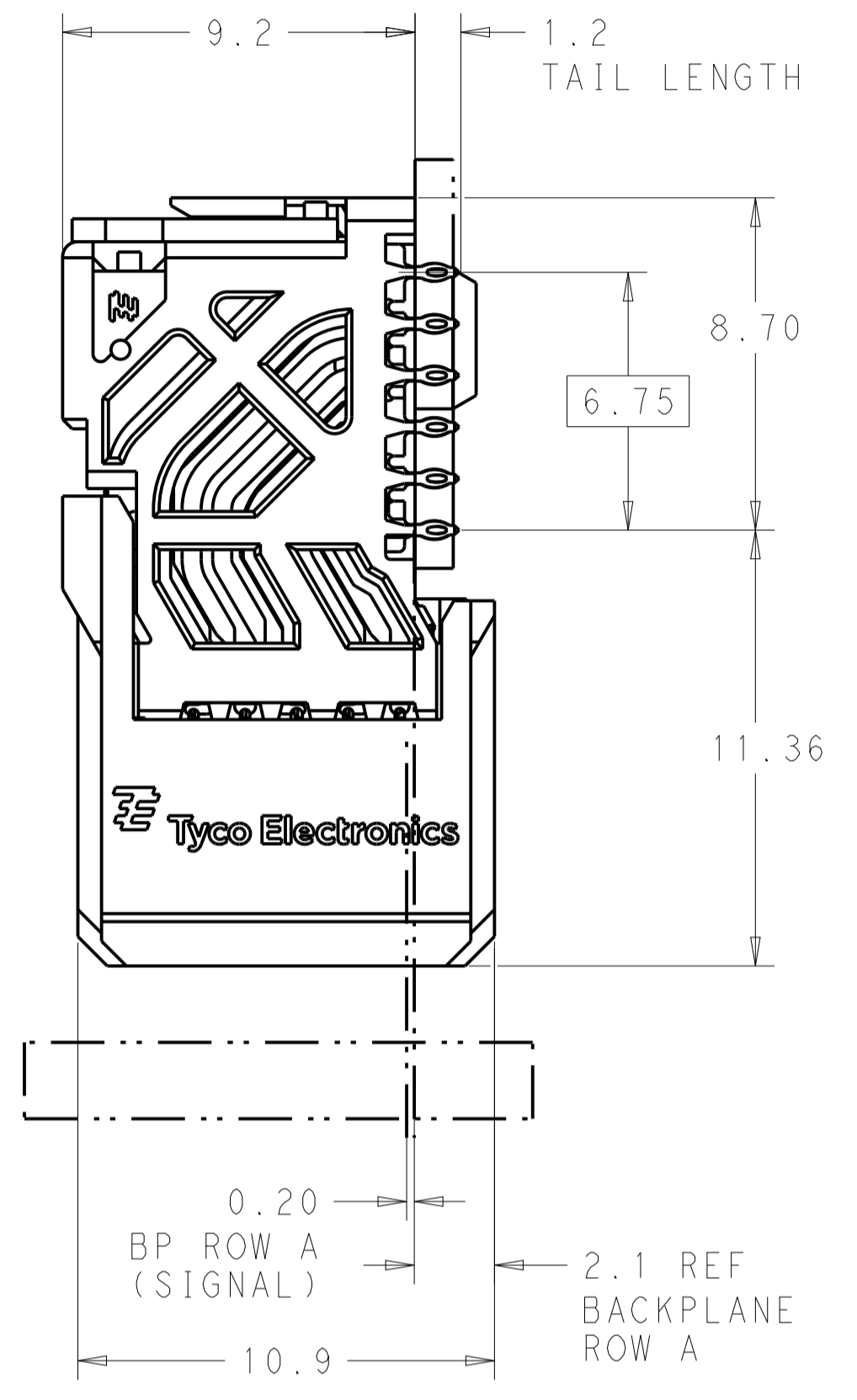
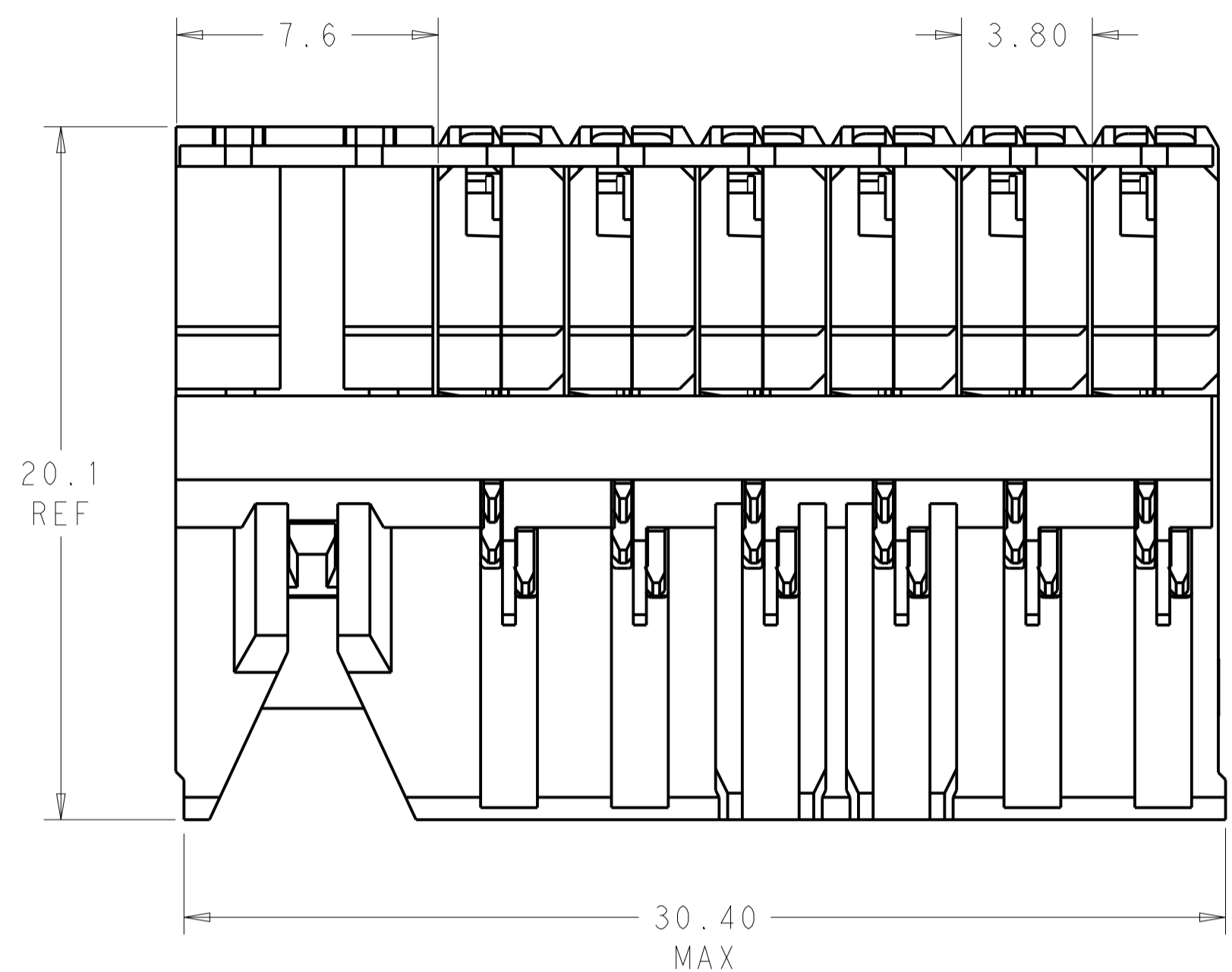


REVISIONS				
P.	LTN.	DESCRIPTION	DATE	APVD.
A		REVISED PER ECO-14-017984	02DEC2014	AP DD

⚠ MATERIAL:
 HOUSING: LCP, GLASS FILLED, UL94V-0.
 TERMINALS: HIGH PERFORMANCE COPPER ALLOY.

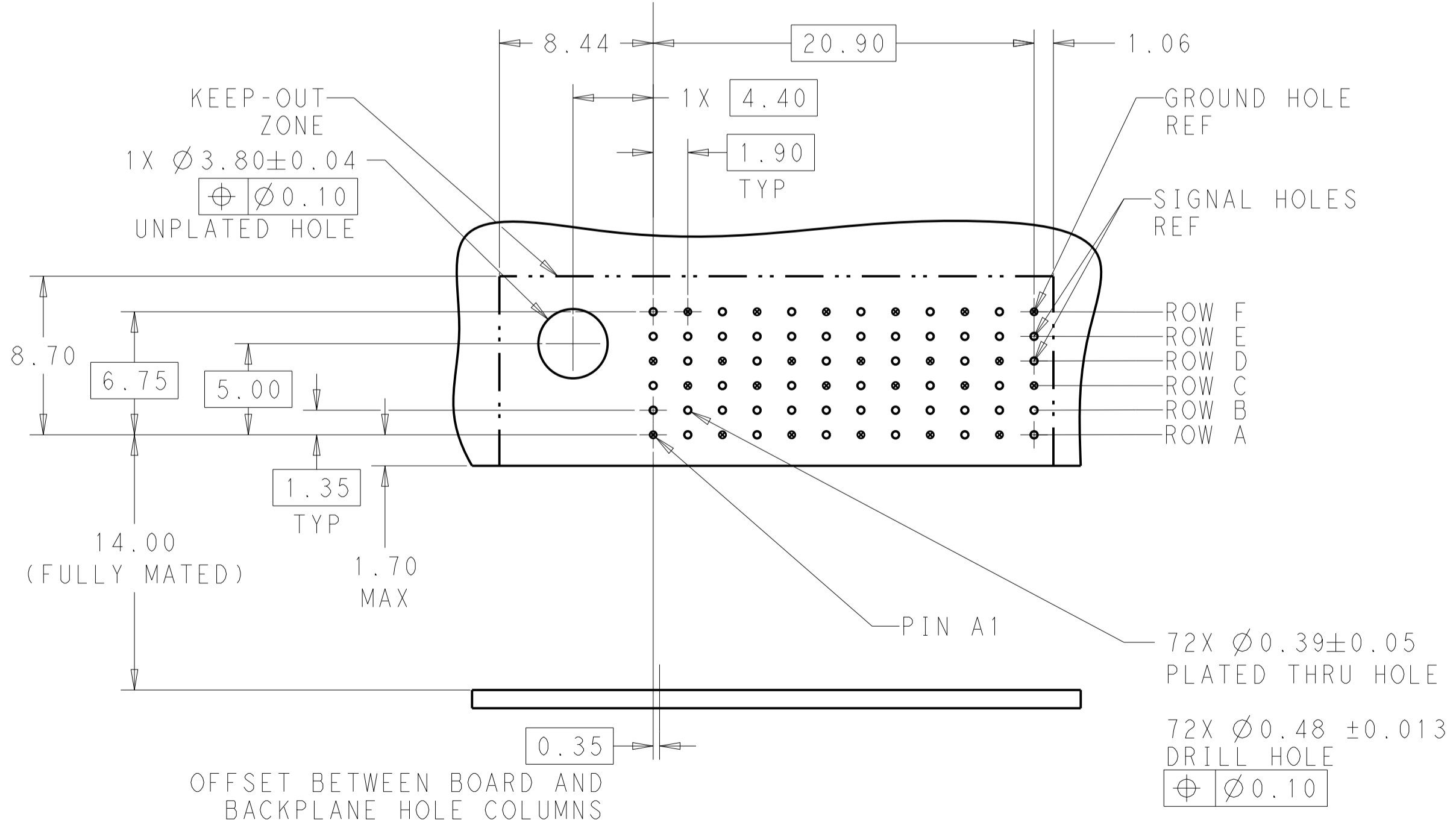
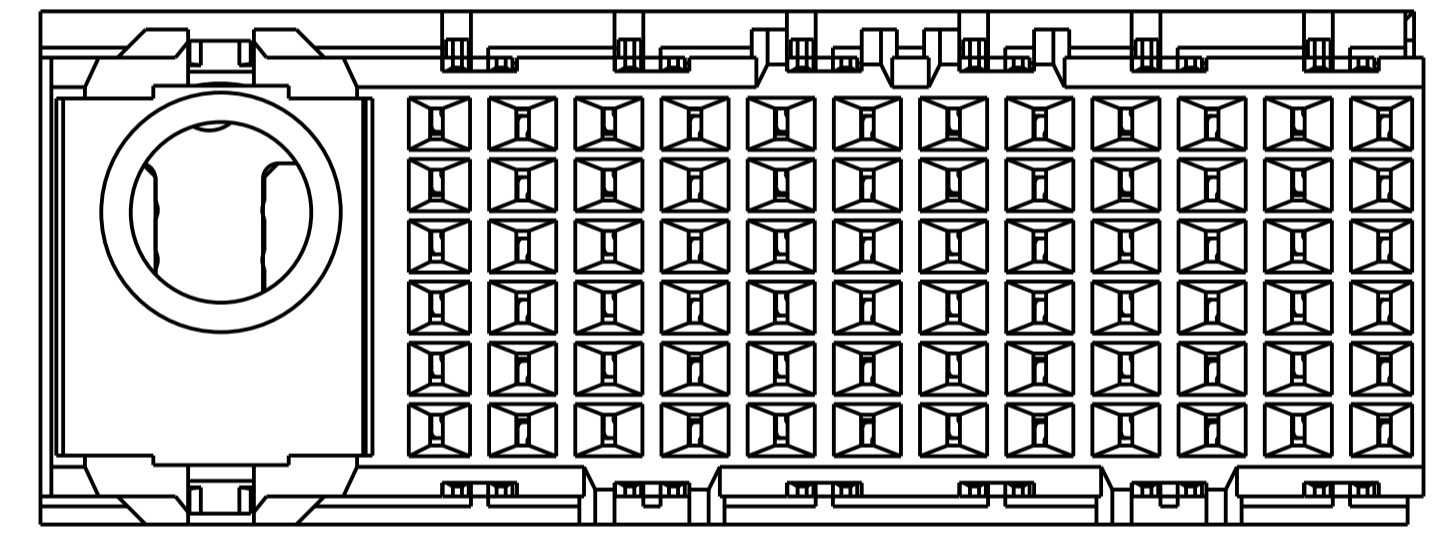
⚠ FINISH:
 30µ" SELECTIVE GOLD IN CONTACT AREA. SELECTIVE TIN
 ON PCB TAILS, NICKEL OVERALL.

3. CONNECTORS SUPPLIED WITH MOUNTING SCREWS..



SCALE 4:1

REFER TO WWW.TE.COM
 FOR PRODUCT AVAILABILITY



RECOMMENDED PCB LAYOUT
 MIN BOARD THICKNESS 1.6

NONE	⚠	2057935-1
KEY POSITION	FINISH	PART NUMBER

THIS DRAWING IS A CONTROLLED DOCUMENT.		DWN: KIRAN HOLLAL 15NOV2012	
DIMENSIONS: mm		CHK: D. DIXON 15NOV2012	
TOLERANCES UNLESS OTHERWISE SPECIFIED:		APVD: D. DIXON 15NOV2012	NAME: IMPACT, 2 PAIR, DAUGHTERCARD 12 COLUMN, LEFT GUIDED, SIGNAL MODULE, 0.39 EYELET
0 PLC ± 1 PLC ±0.2 2 PLC ±0.13 3 PLC ± 4 PLC ±		PRODUCT SPEC: APPLICATION SPEC: WEIGHT: ANGLE:	
MATERIAL: SEE TABLE		SIZE: A1	CAGE CODE: 2057935 DRAWING NO: 2057935-1 SCALE: 6:1 SHEET: 1 OF 1 REV: A