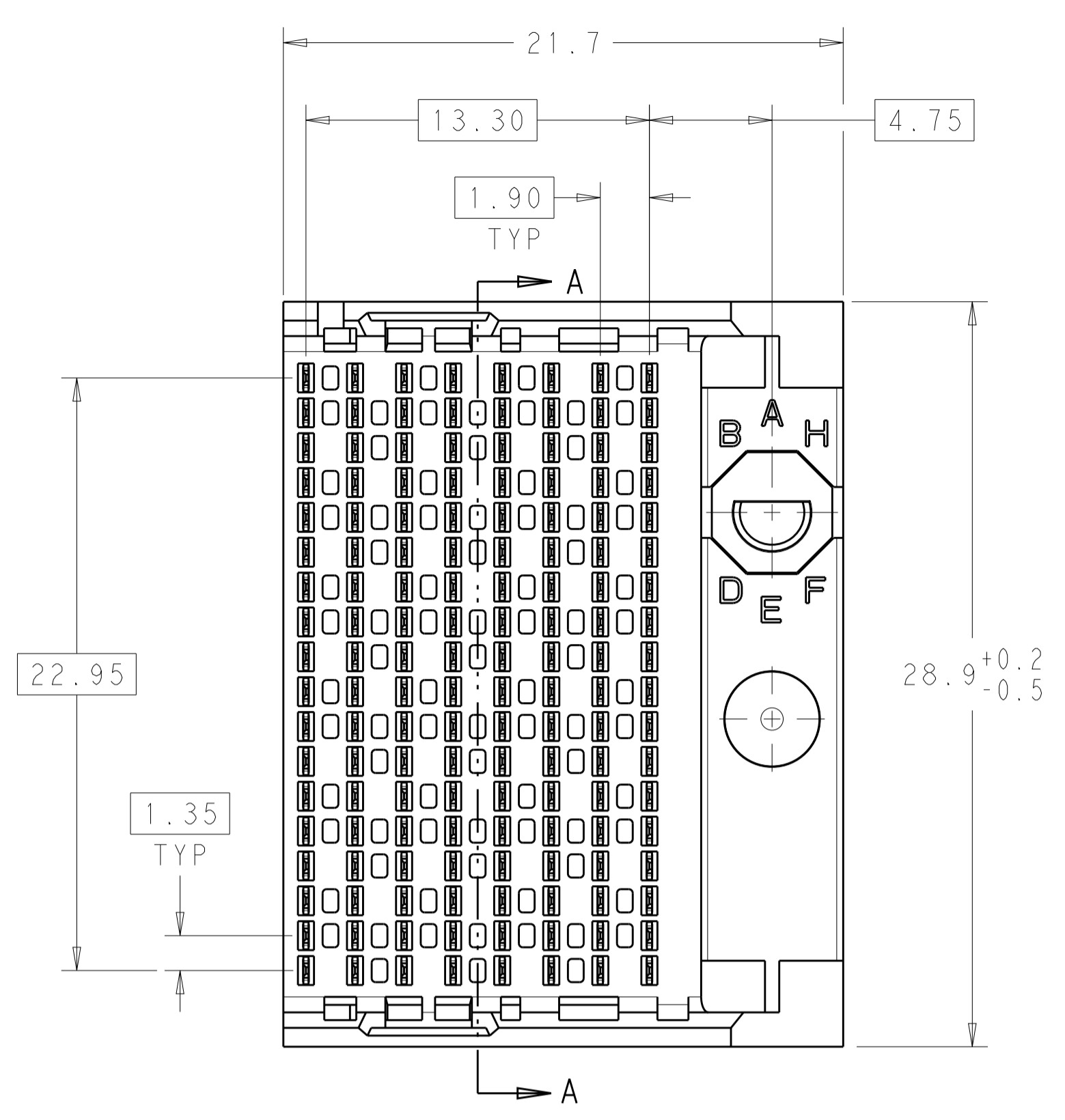
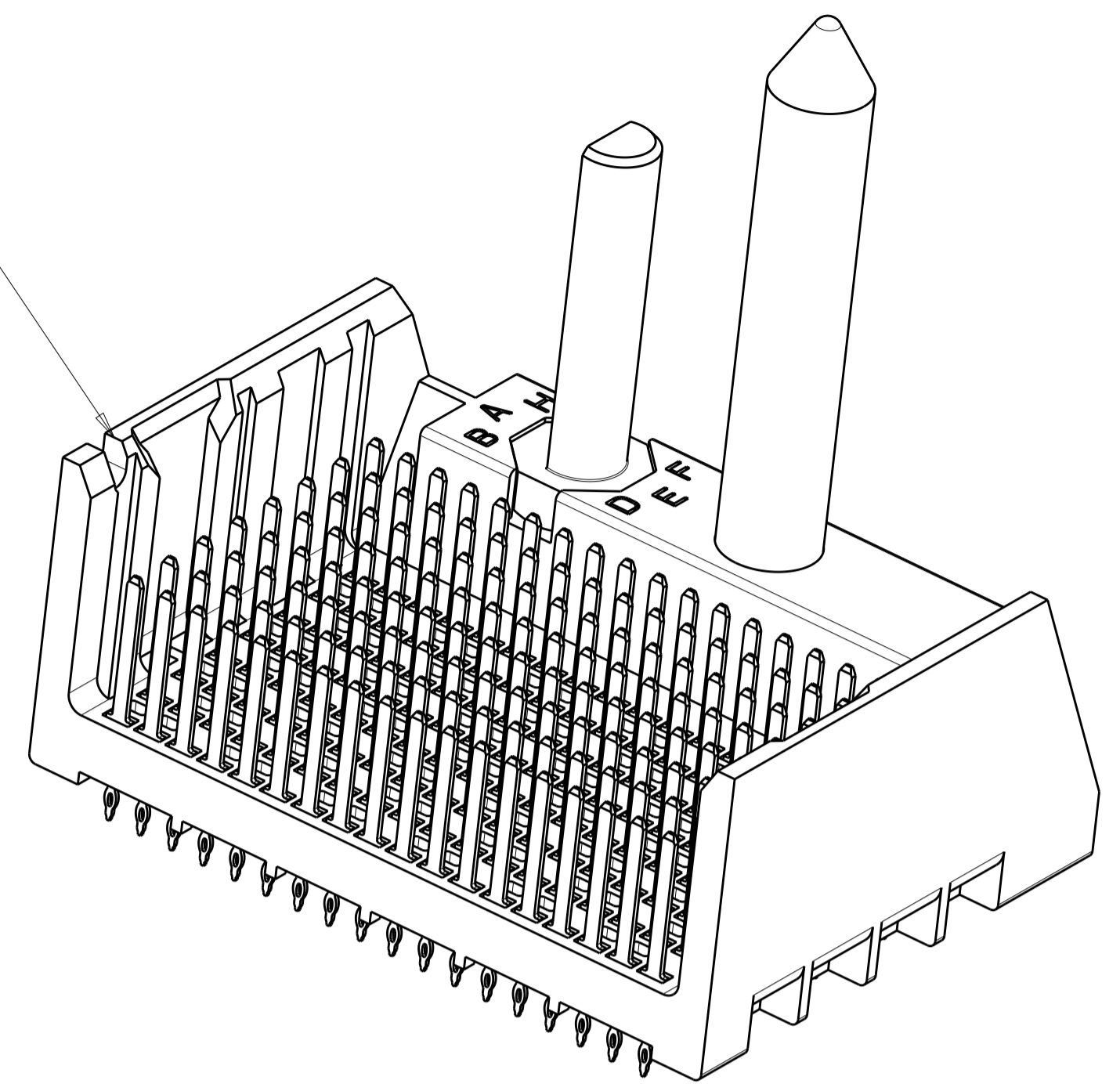


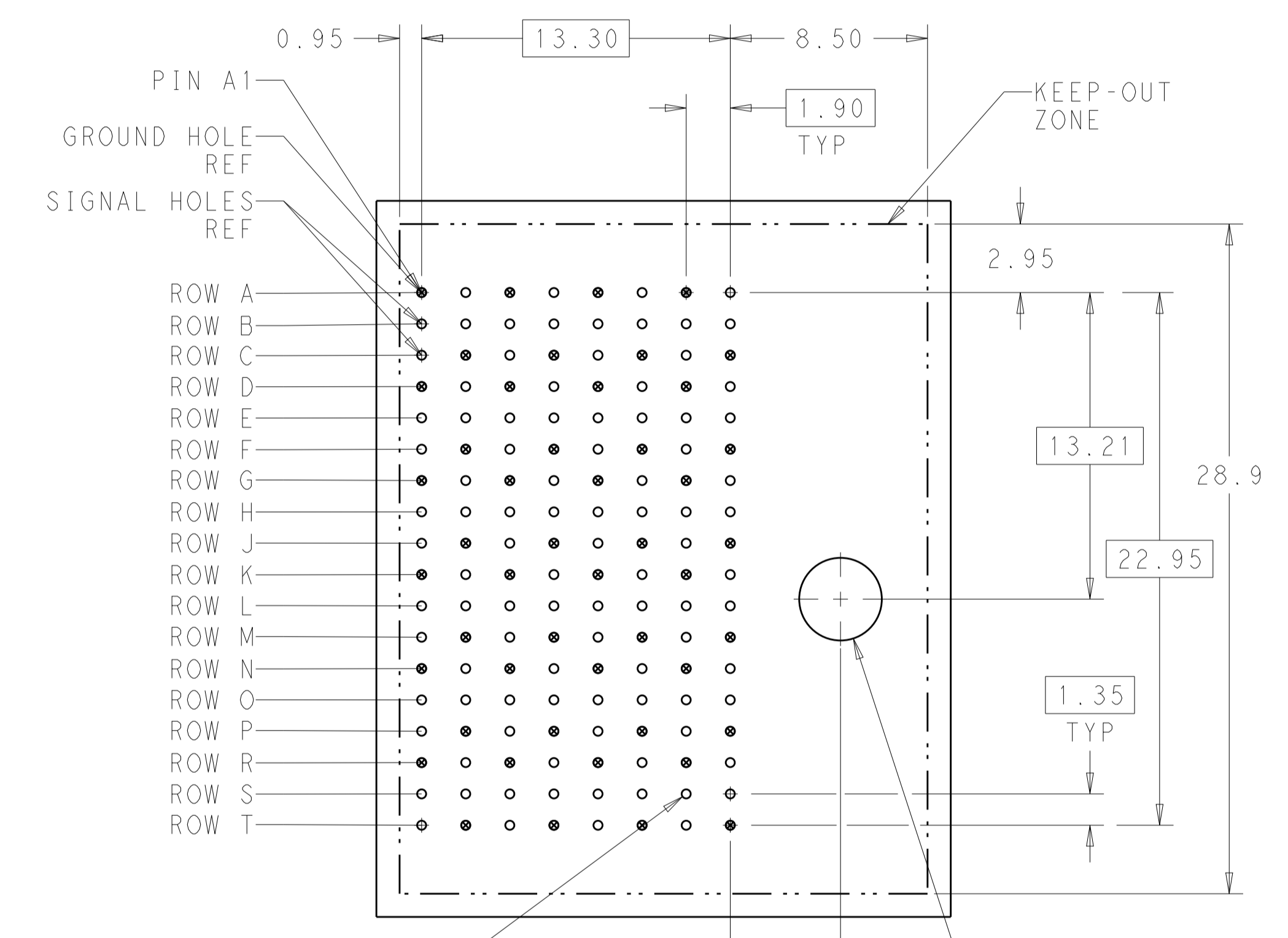
LOC		DIST		REVISIONS			
AD	00	P	LTN	DESCRIPTION	DATE	DWN	APVD
		A		CREATED BY AUTOMATION PROGRAM	09JUN2011	RKC	JE



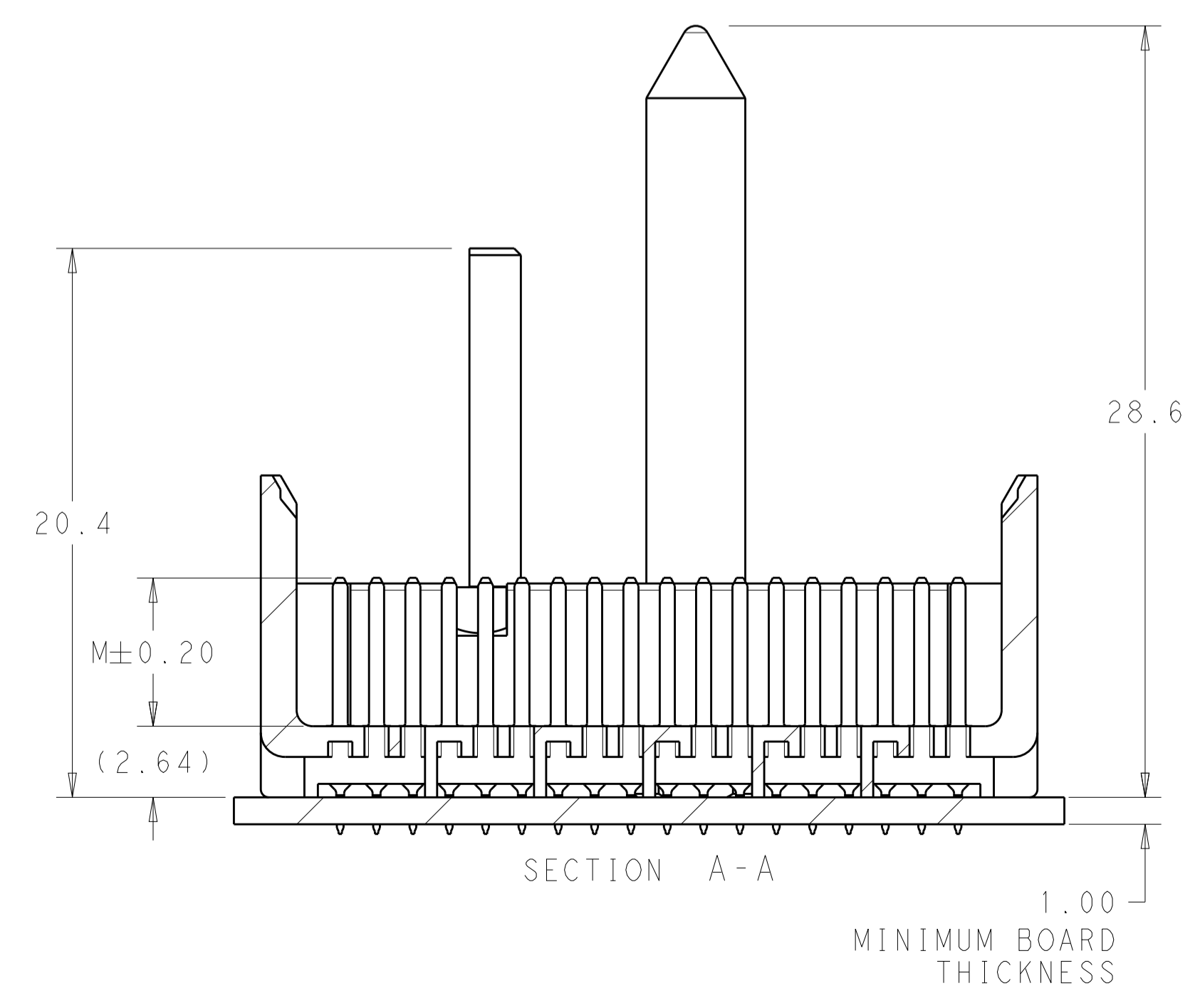
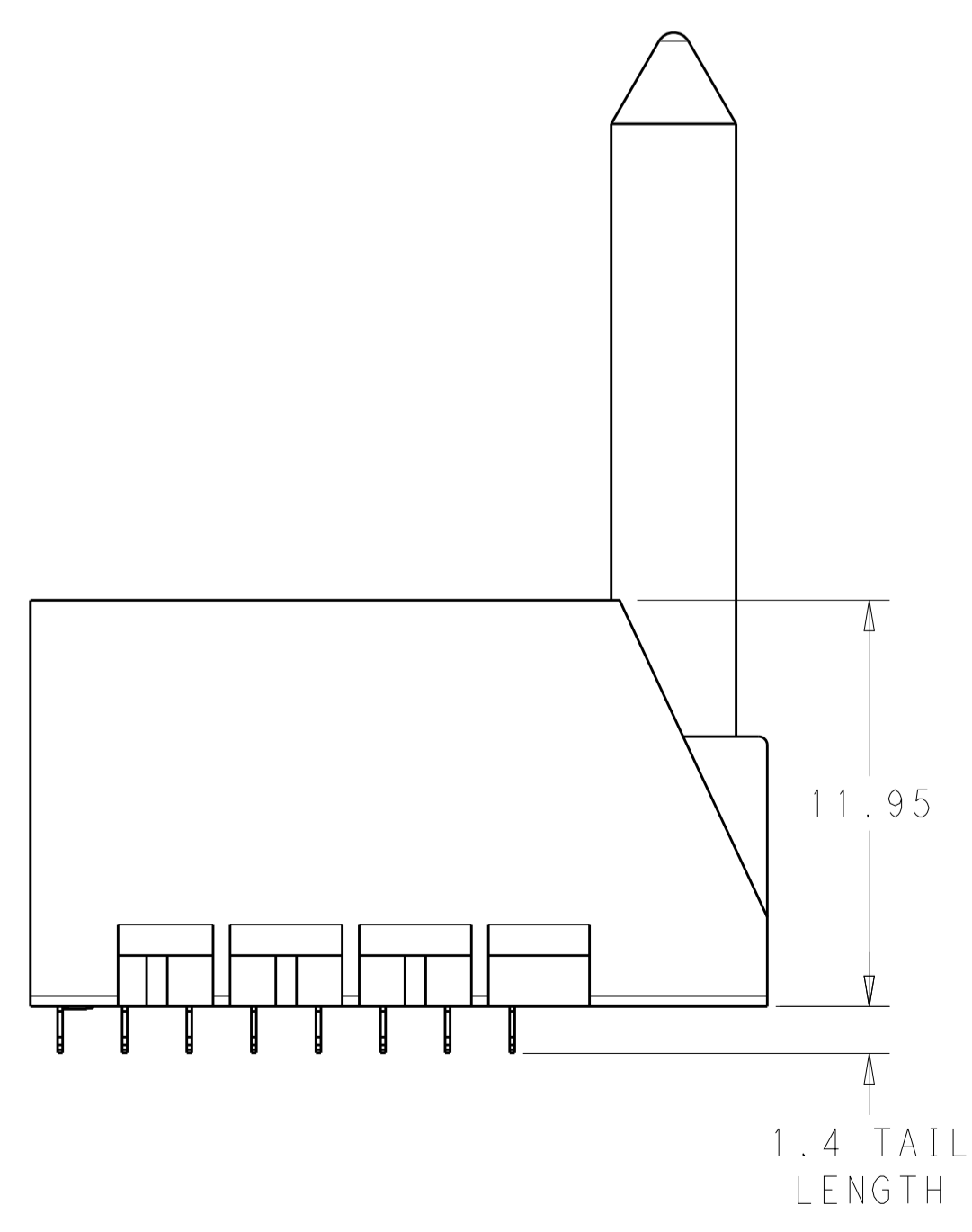
NOTCH DESIGNATES ROW A



- 1 MATERIAL:  
HOUSING: LCP, GLASS FILLED, UL94V-0.  
TERMINALS: HIGH PERFORMANCE COPPER ALLOY.
- 2 FINISH:  
30μ" MIN GOLD IN CONTACT AREA. SELECTIVE TIN ON PCB TAILS, NICKEL OVERALL.
- 3 FINISH:  
30μ" MIN GOLD IN CONTACT AREA. SELECTIVE TIN-LEAD ON PCB TAILS, NICKEL OVERALL.
- 4. SCREWS PACKAGED IN END OF PACKAGING TUBE.
- 5 FOR GROUNDED GUIDE PIN USE Ø3.56±0.08 PTH, Ø3.66 DRILL, AND Ø6.5 PAD.
- 6. KEYING PIN SHOWN IN POSITION A, SEE KEYING CHART ON SHEET 2 FOR OTHER POSITIONS.



144X Ø0.39±0.05 PLATED THRU HOLE  
 144X Ø0.48±0.013 DRILL HOLE  
 Ø0.10  
 Ø3.56±0.08  
 Ø0.15 UNPLATED SCREW HOLE  
 RIGHT GUIDED BACKPLANE HOLE PATTERN (CONNECTOR SIDE)



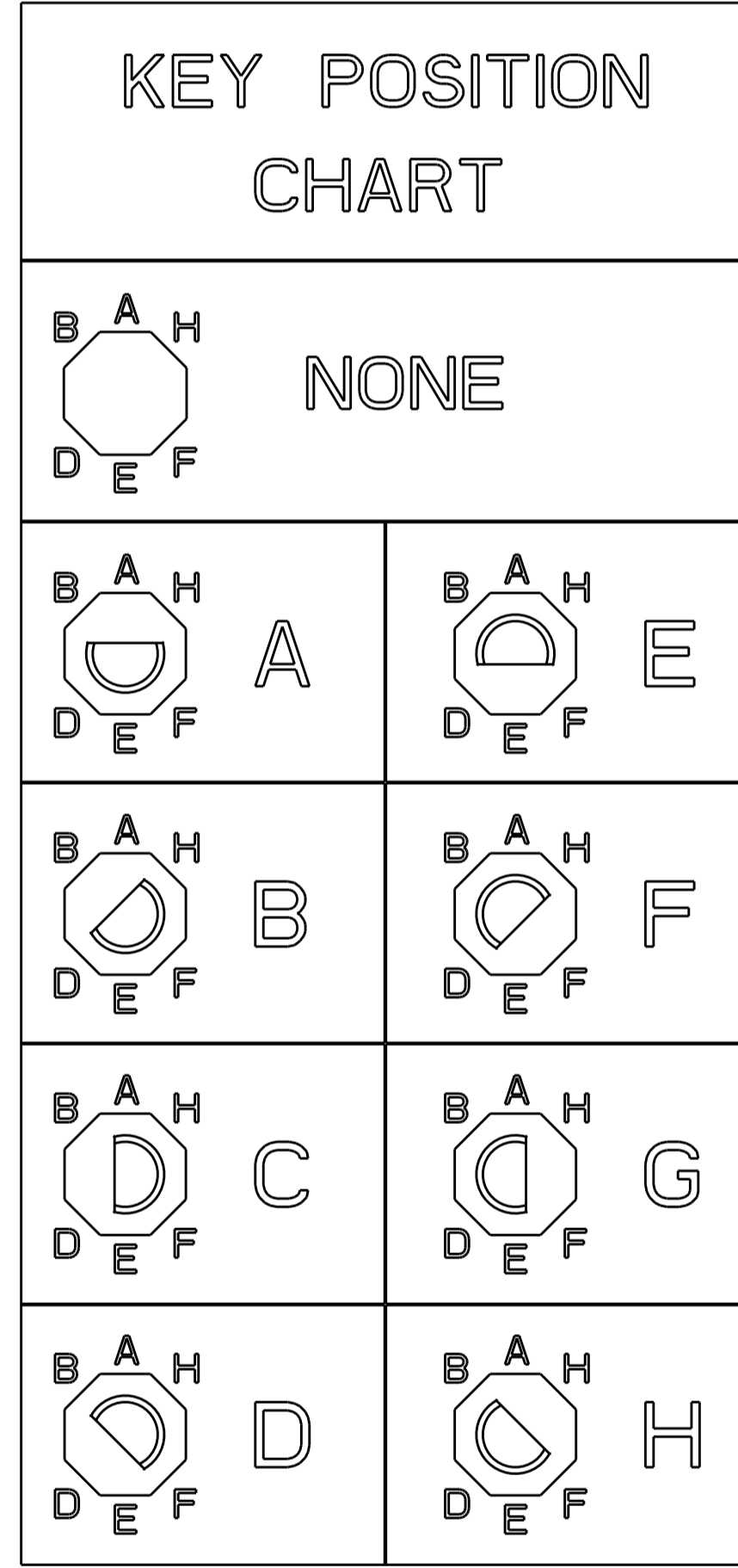
THIS DRAWING IS A CONTROLLED DOCUMENT.		DWN	07JUN2011	<b>STE</b> TE Connectivity
DIMENSIONS:		CHK	J. EARY 07JUN2011	
mm	0 PLC ±	APVD	J. EARY 07JUN2011	NAME IMPACT, 6 PAIR, 8 COLUMN, HEADER RIGHT GUIDED, OPEN END WALL SIGNAL MODULE, 0.39 PTH
	1 PLC ±0.25	PRODUCT SPEC		
	2 PLC ±0.13	APPLICATION SPEC		SIZE CAGE CODE DRAWING NO A100779C=2057789
	3 PLC ±	WEIGHT		
	4 PLC ±	Customer Drawing		RESTRICTED TO
	ANGLES ±	SCALE	5:1	SHEET 1 OF 2
MATERIAL	FINISH SEE TABLE			REV A

THIS DRAWING IS UNPUBLISHED. RELEASED FOR PUBLICATION 20  
 © COPYRIGHT 20 BY - ALL RIGHTS RESERVED.

LOC		DIST		REVISIONS			
AD	00	P	LTN	DESCRIPTION	DATE	DWN	APVD
		-		SEE SHEET 1		-	-

3	H	5.5	8-2057789-6
3	H	4.9	8-2057789-5
3	H	4.5	8-2057789-4
2	H	5.5	8-2057789-3
2	H	4.9	8-2057789-2
2	H	4.5	8-2057789-1
3	G	5.5	7-2057789-6
3	G	4.9	7-2057789-5
3	G	4.5	7-2057789-4
2	G	5.5	7-2057789-3
2	G	4.9	7-2057789-2
2	G	4.5	7-2057789-1
3	F	5.5	6-2057789-6
3	F	4.9	6-2057789-5
3	F	4.5	6-2057789-4
2	F	5.5	6-2057789-3
2	F	4.9	6-2057789-2
2	F	4.5	6-2057789-1
3	E	5.5	5-2057789-6
3	E	4.9	5-2057789-5
3	E	4.5	5-2057789-4
2	E	5.5	5-2057789-3
2	E	4.9	5-2057789-2
2	E	4.5	5-2057789-1
3	D	5.5	4-2057789-6
3	D	4.9	4-2057789-5
3	D	4.5	4-2057789-4
2	D	5.5	4-2057789-3
2	D	4.9	4-2057789-2
2	D	4.5	4-2057789-1
3	C	5.5	3-2057789-6
3	C	4.9	3-2057789-5
3	C	4.5	3-2057789-4
2	C	5.5	3-2057789-3
2	C	4.9	3-2057789-2
2	C	4.5	3-2057789-1
3	B	5.5	2-2057789-6
3	B	4.9	2-2057789-5
3	B	4.5	2-2057789-4
2	B	5.5	2-2057789-3
2	B	4.9	2-2057789-2
2	B	4.5	2-2057789-1
3	A	5.5	1-2057789-6
3	A	4.9	1-2057789-5
3	A	4.5	1-2057789-4
2	A	5.5	1-2057789-3
2	A	4.9	1-2057789-2
2	A	4.5	1-2057789-1
3	-	5.5	2057789-6
3	-	4.9	2057789-5
3	-	4.5	2057789-4
2	-	5.5	2057789-3
2	-	4.9	2057789-2
2	-	4.5	2057789-1
FINISH	KEY POSITION	DIM M	PART NUMBER

REFER TO WWW.TE.COM  
FOR PRODUCT AVAILABILITY



THIS DRAWING IS A CONTROLLED DOCUMENT.		DWN	07JUN2011	<b>TE</b> Connectivity
DIMENSIONS:		CHK	07JUN2011	
mm	TOLERANCES UNLESS OTHERWISE SPECIFIED:	APVD	07JUN2011	NAME IMPACT, 6 PAIR, 8 COLUMN, HEADER RIGHT GUIDED, OPEN END WALL SIGNAL MODULE, 0.39 PTH
0 PLC ±	0.25	PRODUCT SPEC		
1 PLC ±0.13		APPLICATION SPEC		SIZE
2 PLC ±		FINISH		CAGE CODE
3 PLC ±		MATERIAL		DRAWING NO
4 PLC ±		WEIGHT		RESTRICTED TO
ANGLES ±		Customer Drawing		A100779C=2057789
SCALE	5:1	SHEET		2 OF 2
				REV
				A