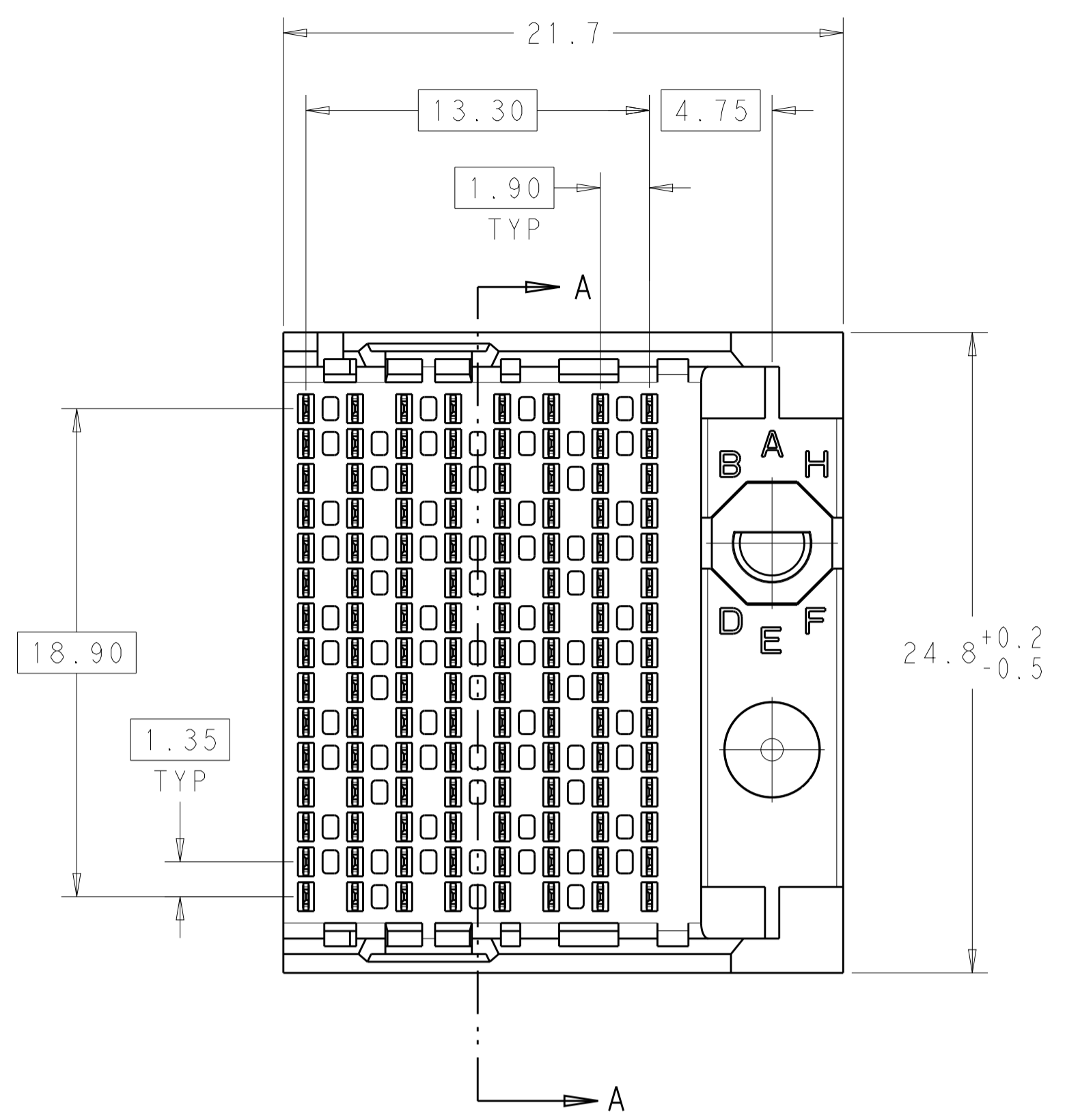
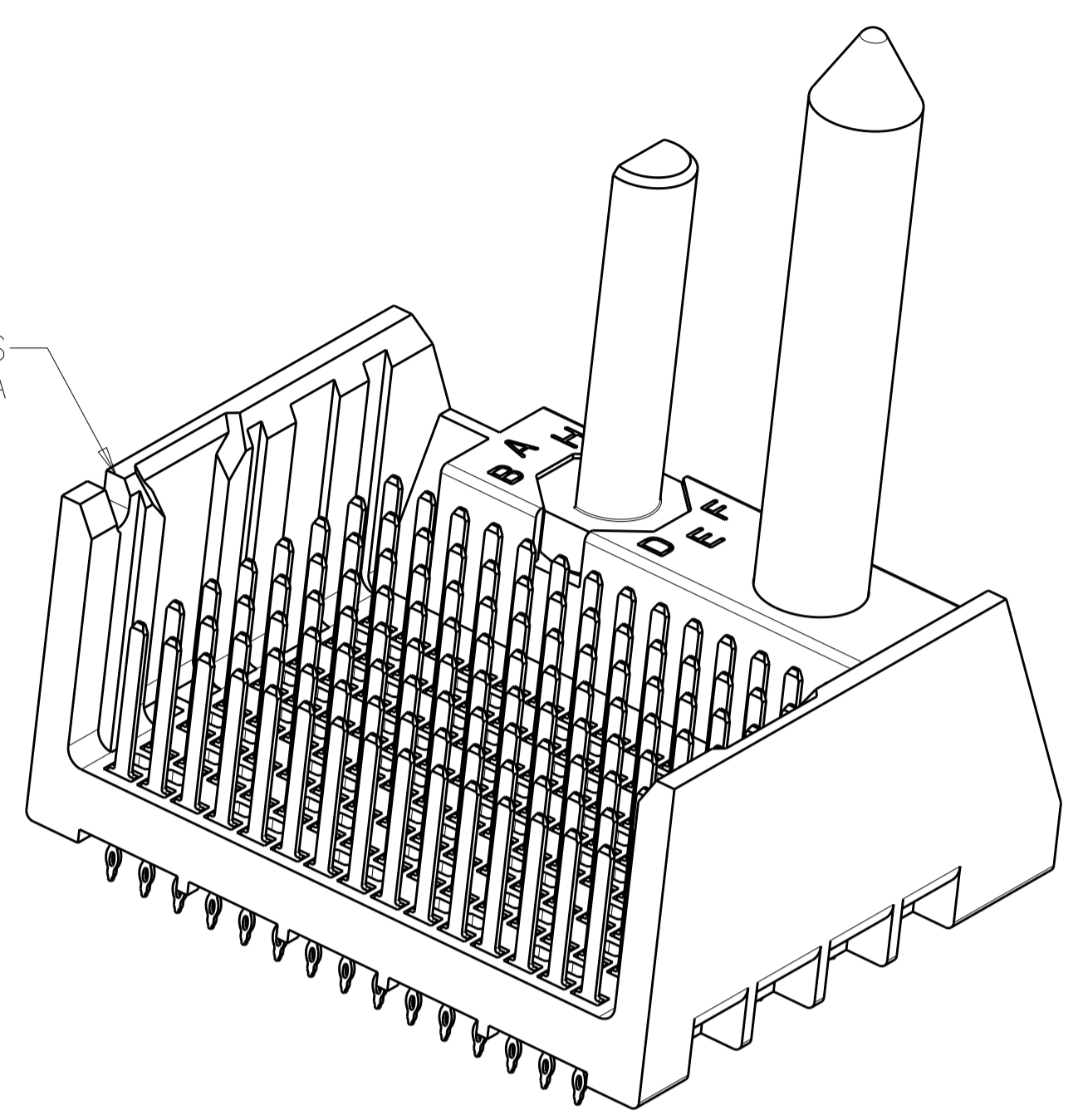


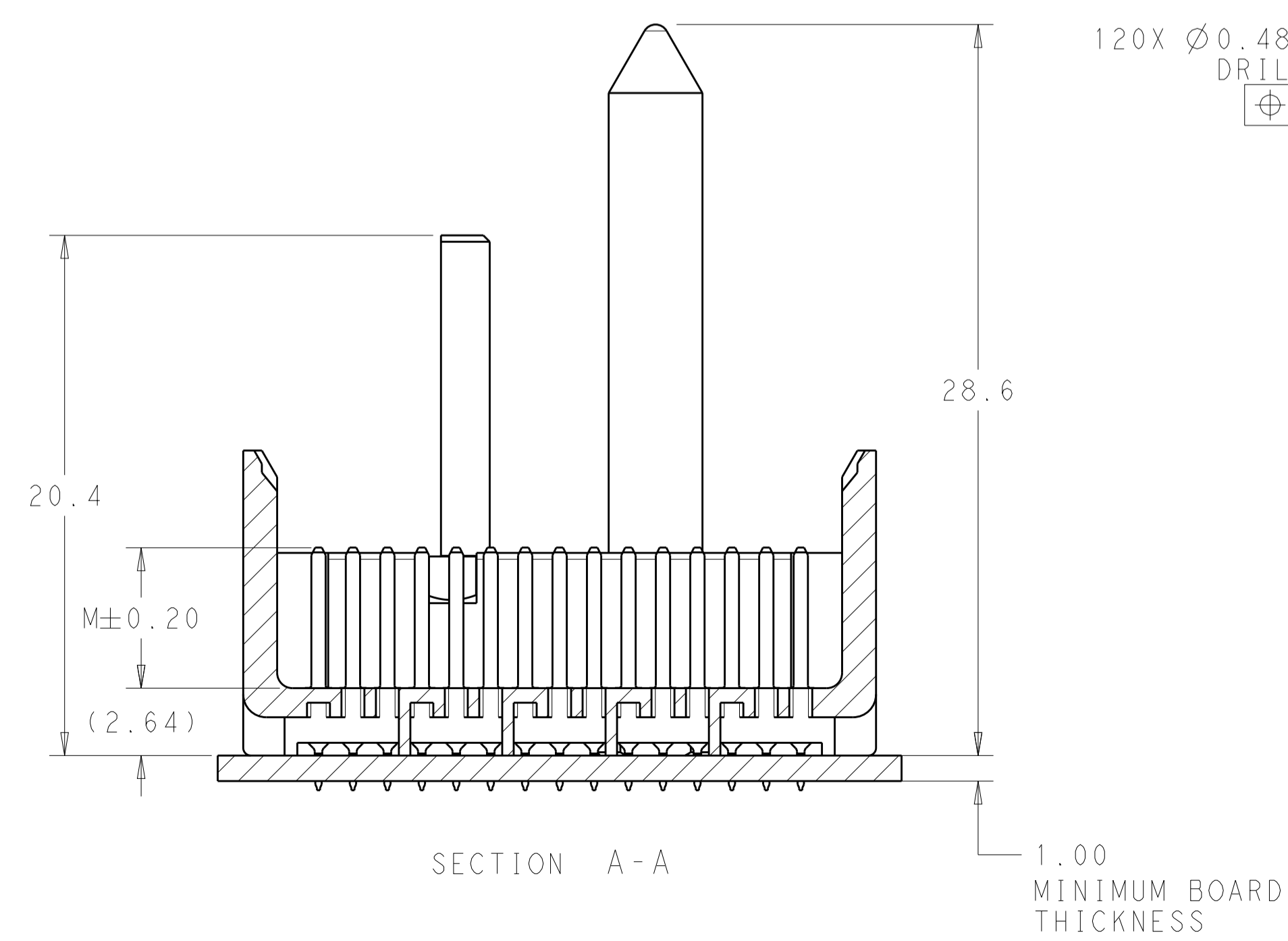
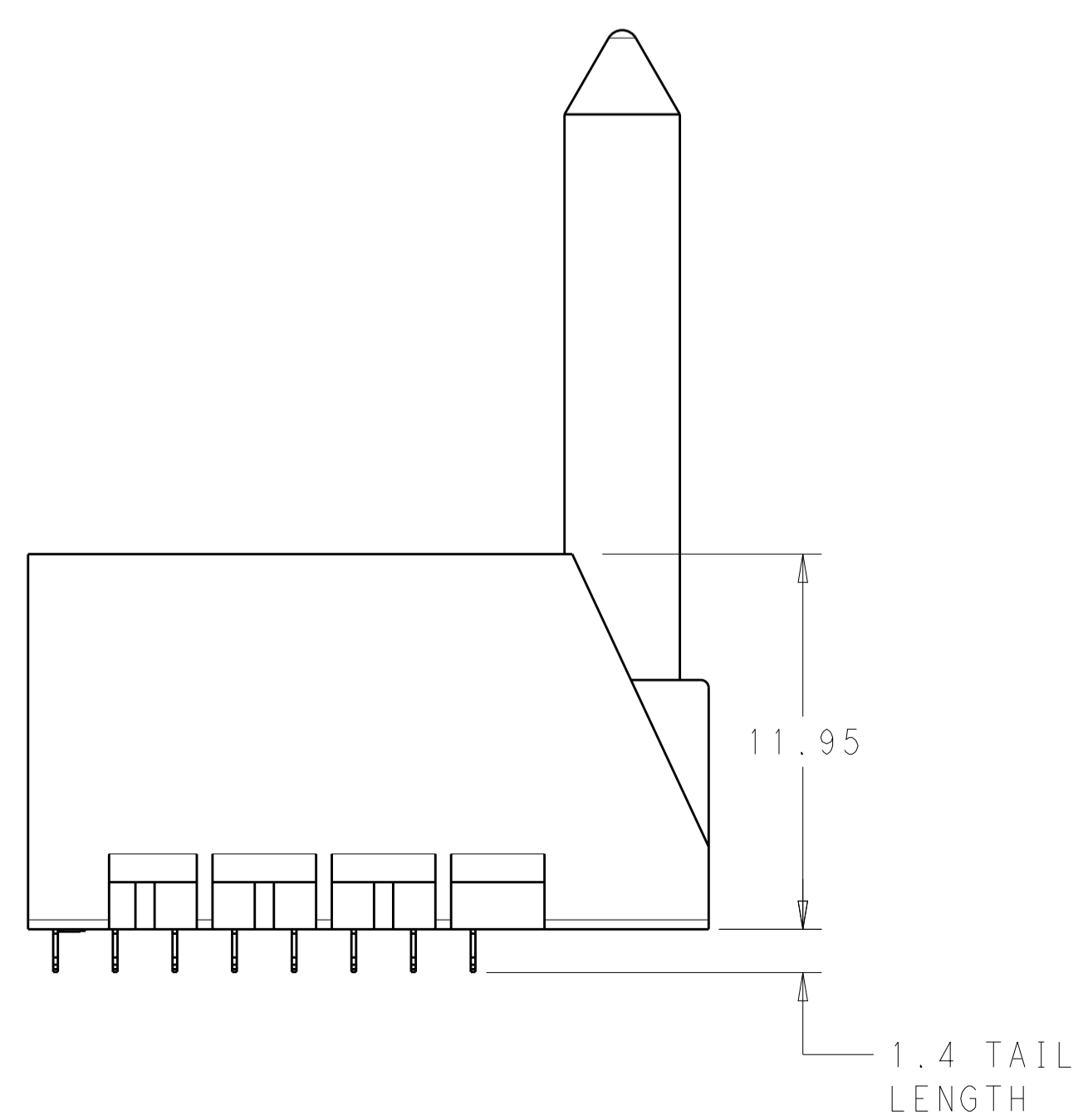
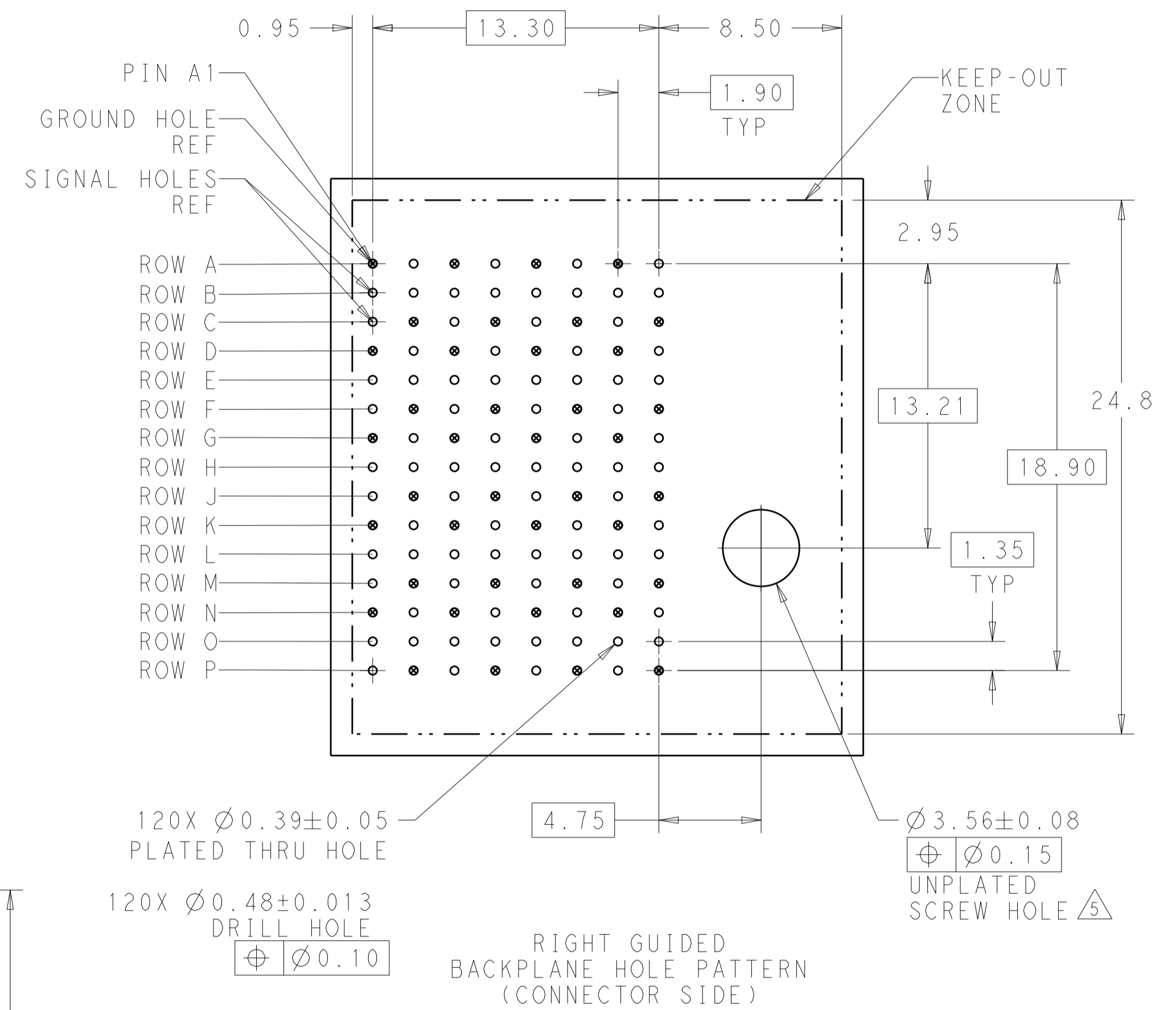
LOC	DIST	REVISIONS			
P	LTN	DESCRIPTION	DATE	DWN	APVD
A		CREATED BY AUTOMATION PROGRAM	03JUN2011	RKC	JE



NOTCH DESIGNATES ROW A



- 1. MATERIAL:  
HOUSING: LCP, GLASS FILLED, UL94V-0.  
TERMINALS: HIGH PERFORMANCE COPPER ALLOY.
- 2. FINISH:  
30µ" MIN GOLD IN CONTACT AREA. SELECTIVE TIN ON PCB TAILS, NICKEL OVERALL.
- 3. FINISH:  
30µ" MIN GOLD IN CONTACT AREA. SELECTIVE TIN-LEAD ON PCB TAILS, NICKEL OVERALL.
- 4. SCREWS PACKAGED IN END OF PACKAGING TUBE.
- 5. FOR GROUNDED GUIDE PIN USE  $\varnothing 3.56 \pm 0.08$  PTH,  $\varnothing 3.66$  DRILL, AND  $\varnothing 6.5$  PAD.
- 6. KEYING PIN SHOWN IN POSITION A, SEE KEYING CHART ON SHEET 2 FOR OTHER POSITIONS.

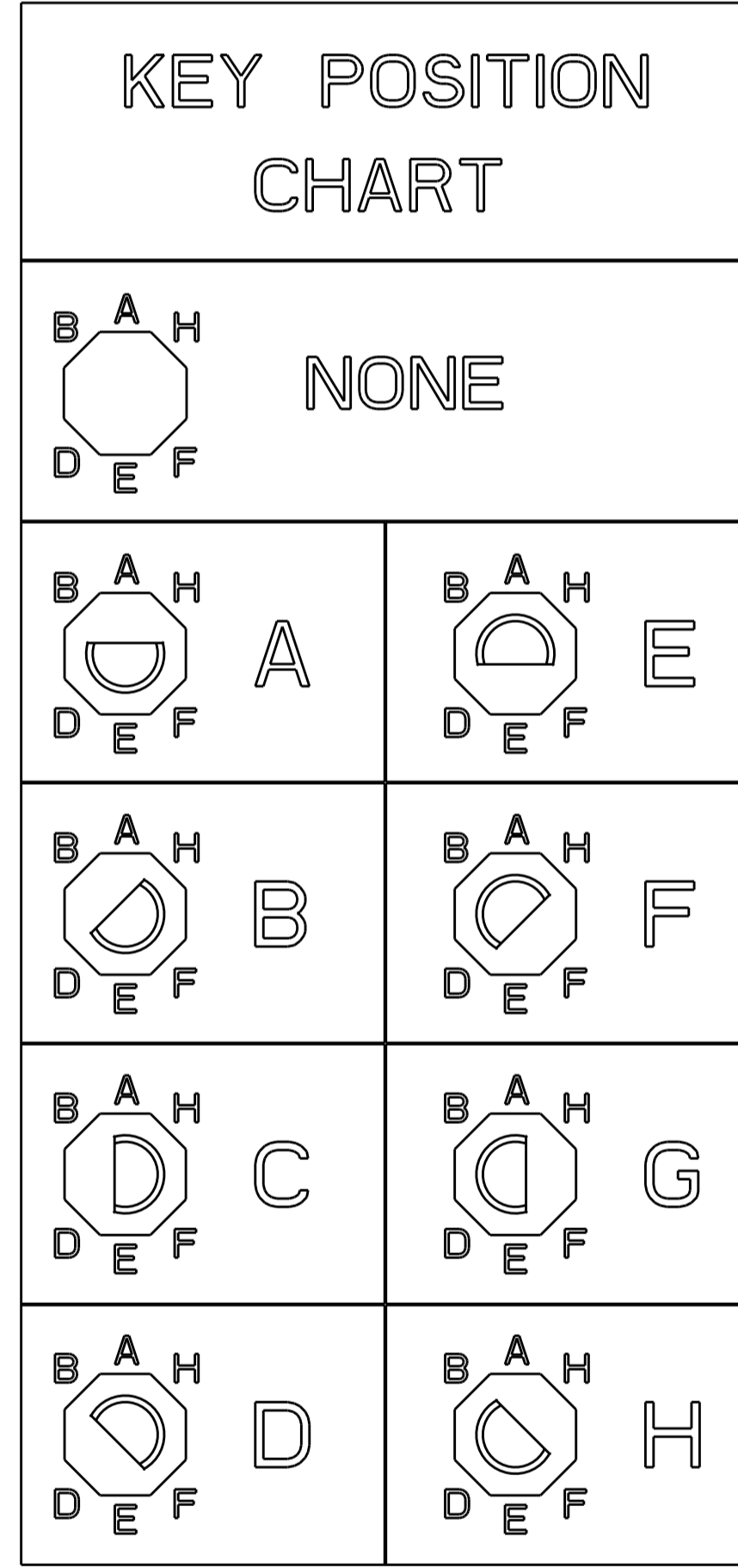


THIS DRAWING IS A CONTROLLED DOCUMENT.		DWN	02JUN2011	TE Connectivity
DIMENSIONS:		CHK	J. EARY 02JUN2011	
mm	0 PLC ±	APVD	J. EARY 02JUN2011	NAME IMPACT, 5 PAIR, 8 COLUMN, HEADER RIGHT GUIDED, OPEN END WALL SIGNAL MODULE, 0.39 PTH
	1 PLC ±0.25	PRODUCT SPEC		
	2 PLC ±0.13	APPLICATION SPEC		SIZE CAGE CODE DRAWING NO A100779C=2057773
	3 PLC ±	WEIGHT		
	4 PLC ±	CUSTOMER DRAWING		SCALE 5:1 SHEET 1 OF 2 REV A
	ANGLES ±			
MATERIAL	FINISH SEE TABLE			

LOC	DIST	P	LTN	DESCRIPTION	DATE	DWN	APVD
AD	00	-	-	SEE SHEET 1	-	-	-

3	H	5.5	8-2057773-6
3	H	4.9	8-2057773-5
3	H	4.5	8-2057773-4
2	H	5.5	8-2057773-3
2	H	4.9	8-2057773-2
2	H	4.5	8-2057773-1
3	G	5.5	7-2057773-6
3	G	4.9	7-2057773-5
3	G	4.5	7-2057773-4
2	G	5.5	7-2057773-3
2	G	4.9	7-2057773-2
2	G	4.5	7-2057773-1
3	F	5.5	6-2057773-6
3	F	4.9	6-2057773-5
3	F	4.5	6-2057773-4
2	F	5.5	6-2057773-3
2	F	4.9	6-2057773-2
2	F	4.5	6-2057773-1
3	E	5.5	5-2057773-6
3	E	4.9	5-2057773-5
3	E	4.5	5-2057773-4
2	E	5.5	5-2057773-3
2	E	4.9	5-2057773-2
2	E	4.5	5-2057773-1
3	D	5.5	4-2057773-6
3	D	4.9	4-2057773-5
3	D	4.5	4-2057773-4
2	D	5.5	4-2057773-3
2	D	4.9	4-2057773-2
2	D	4.5	4-2057773-1
3	C	5.5	3-2057773-6
3	C	4.9	3-2057773-5
3	C	4.5	3-2057773-4
2	C	5.5	3-2057773-3
2	C	4.9	3-2057773-2
2	C	4.5	3-2057773-1
3	B	5.5	2-2057773-6
3	B	4.9	2-2057773-5
3	B	4.5	2-2057773-4
2	B	5.5	2-2057773-3
2	B	4.9	2-2057773-2
2	B	4.5	2-2057773-1
3	A	5.5	1-2057773-6
3	A	4.9	1-2057773-5
3	A	4.5	1-2057773-4
2	A	5.5	1-2057773-3
2	A	4.9	1-2057773-2
2	A	4.5	1-2057773-1
3	-	5.5	2057773-6
3	-	4.9	2057773-5
3	-	4.5	2057773-4
2	-	5.5	2057773-3
2	-	4.9	2057773-2
2	-	4.5	2057773-1
FINISH	KEY POSITION	DIM M	PART NUMBER

REFER TO WWW.TE.COM  
FOR PRODUCT AVAILABILITY



THIS DRAWING IS A CONTROLLED DOCUMENT.		DWN	02JUN2011	<b>TE</b> Connectivity
DIMENSIONS:		CHK	02JUN2011	
mm	TOLERANCES UNLESS OTHERWISE SPECIFIED:	APVD	02JUN2011	NAME: IMPACT, 5 PAIR, 8 COLUMN, HEADER RIGHT GUIDED, OPEN END WALL SIGNAL MODULE, 0.39 PTH SIZE: CAGE CODE DRAWING NO: RESTRICTED TO A100779C=2057773 WEIGHT: CUSTOMER DRAWING SCALE: 5:1 SHEET 2 OF 2 REV A
	0 PLC ±	PRODUCT SPEC		
	1 PLC ±0.25	APPLICATION SPEC		
	2 PLC ±0.13			
	3 PLC ±			
	4 PLC ±			
	ANGLES ±			
MATERIAL	FINISH			
	SEE TABLE			