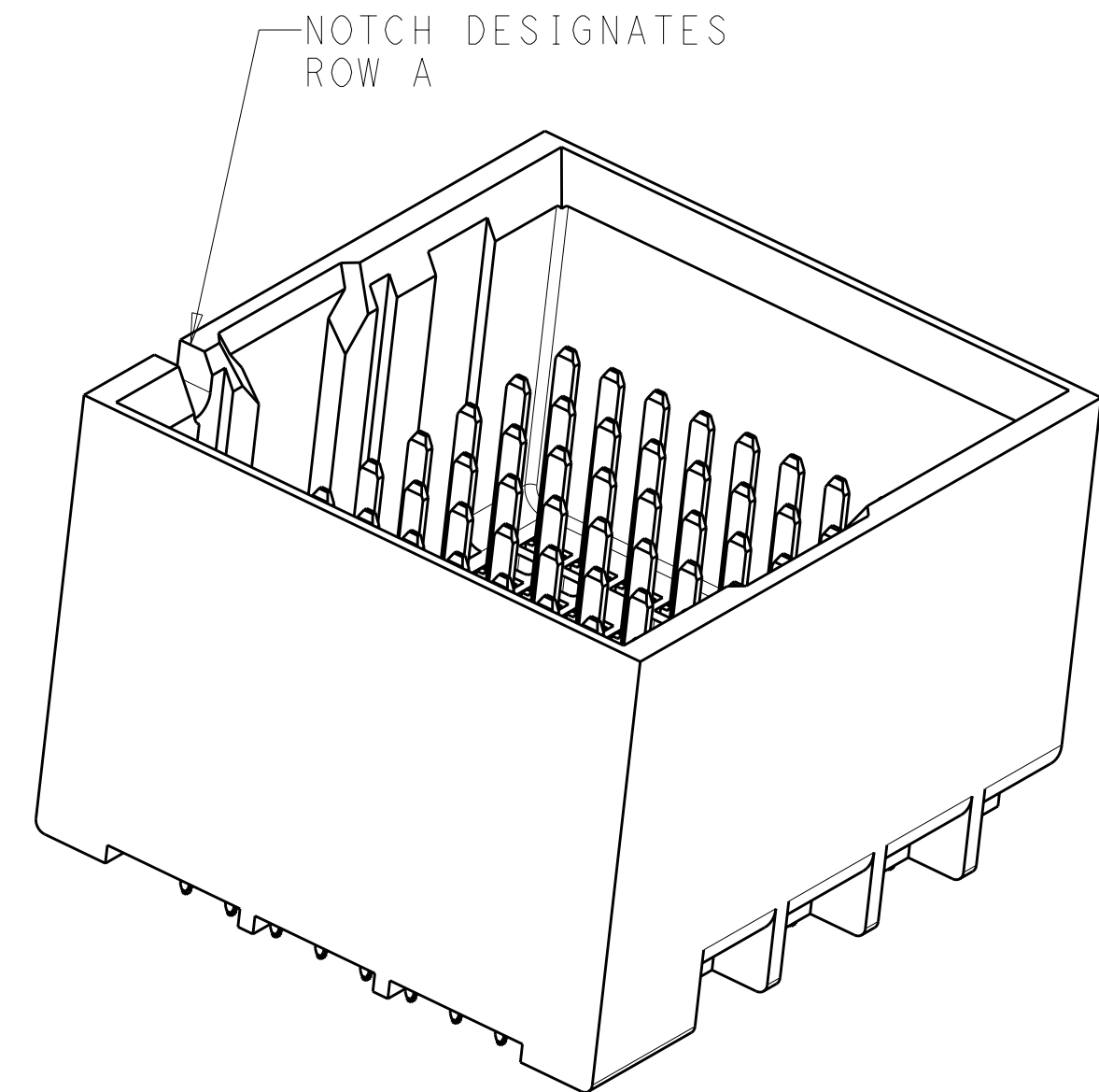
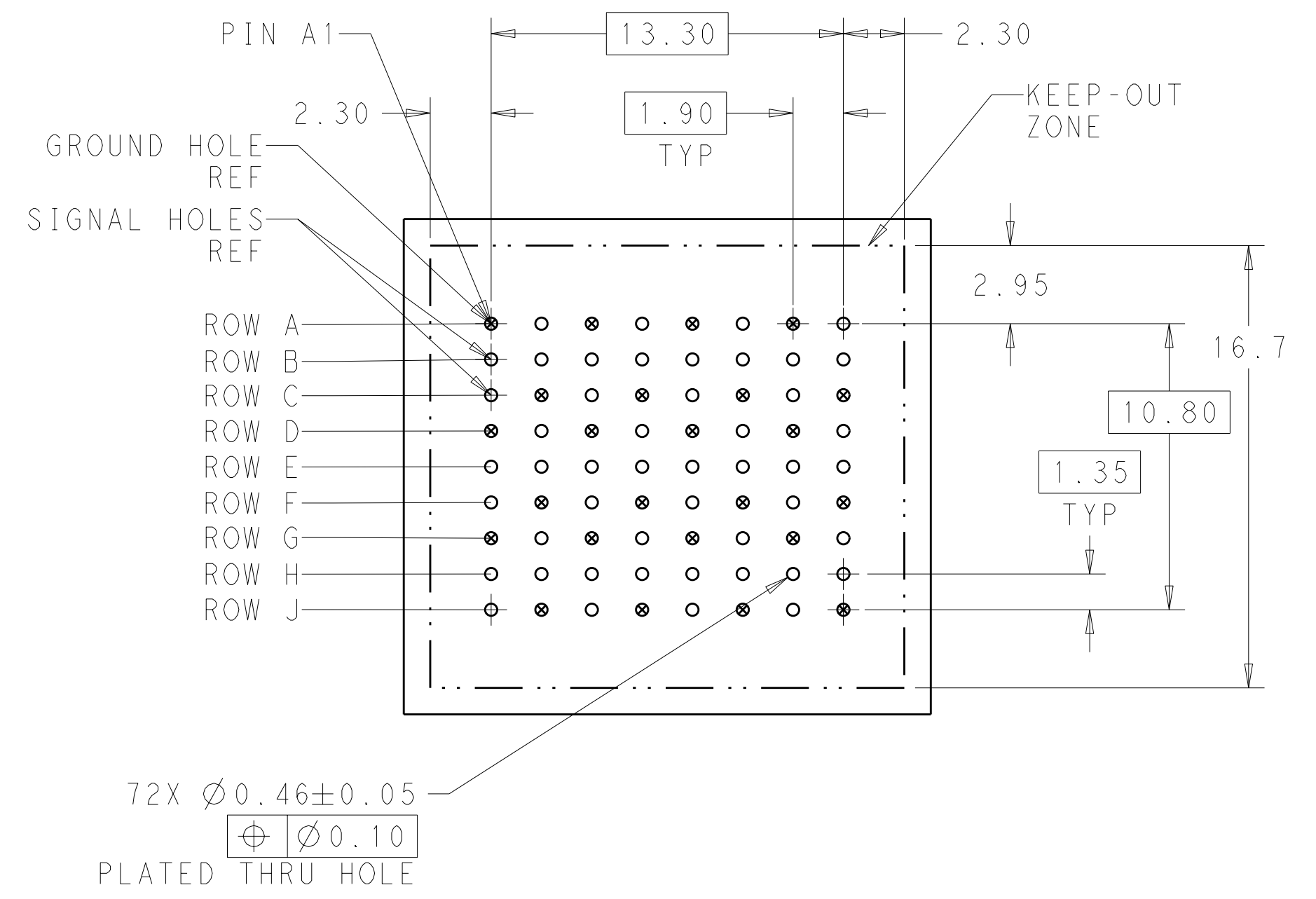
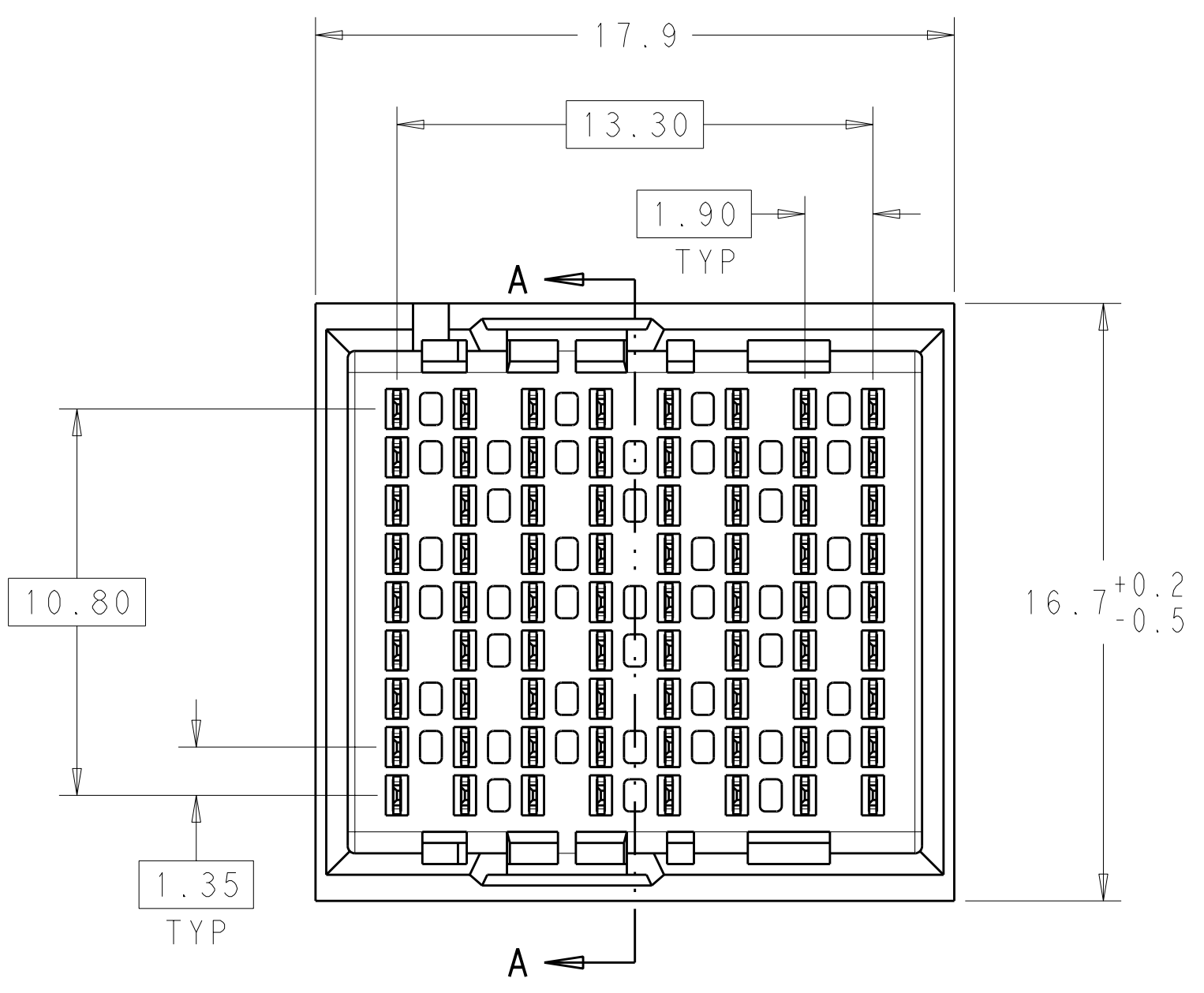


LOC	DIST	REV	DATE	BY	CHKD	APVD
AD	00	C	05JAN11	KH	DY	
REVISIONS			DESCRIPTION	DATE	DWN	APVD
			REVISD PER ECO-11-025276			

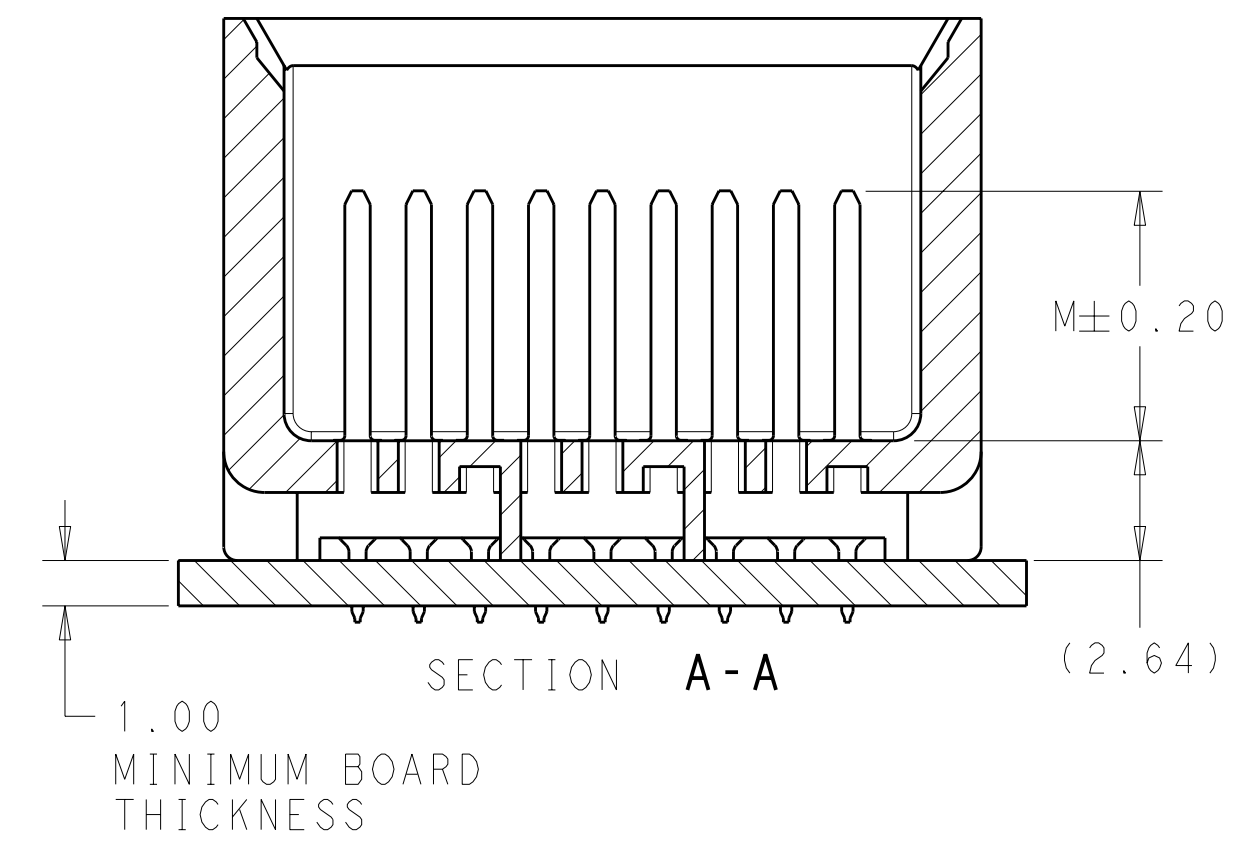
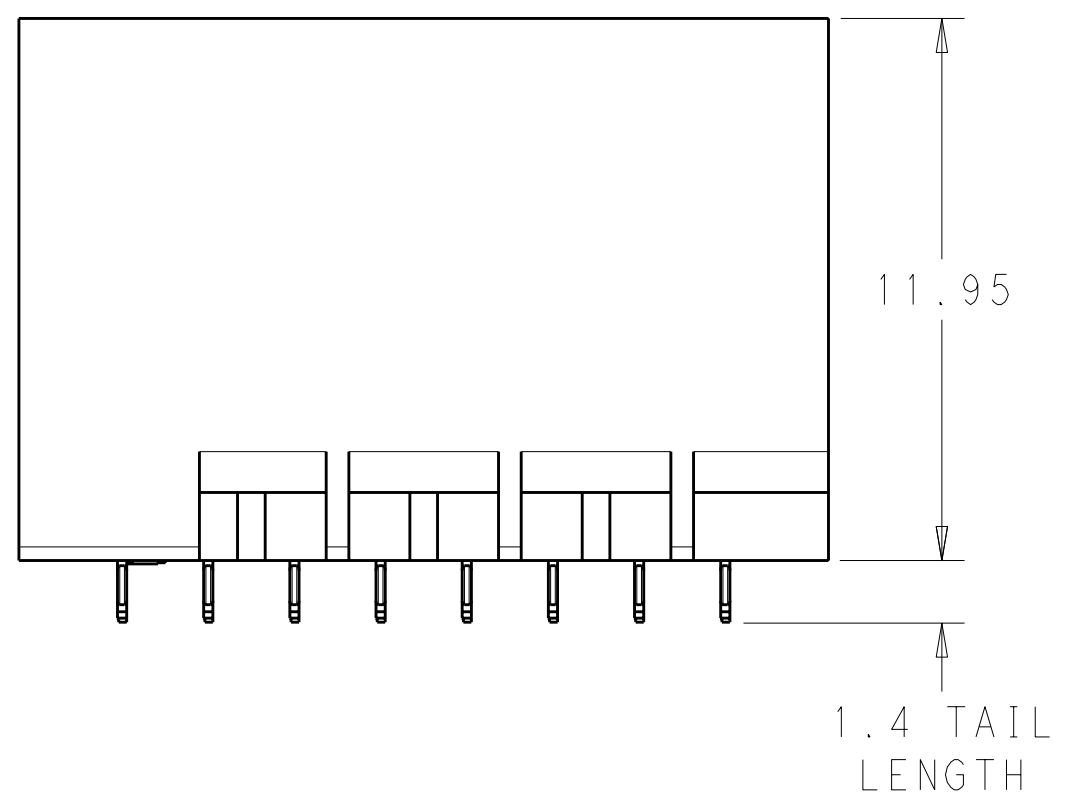


- 1 MATERIAL:  
HOUSING: LCP, GLASS FILLED, UL94V-0.  
TERMINALS: HIGH PERFORMANCE COPPER ALLOY.
- 2 FINISH:  
30µ" MIN GOLD IN CONTACT AREA. SELECTIVE TIN ON PCB TAILS, NICKEL OVERALL.
- 3 FINISH:  
30µ" MIN GOLD IN CONTACT AREA. SELECTIVE TIN-LEAD ON PCB TAILS, NICKEL OVERALL.



72X Ø0.46±0.05  
⊕ Ø0.10  
PLATED THRU HOLE

UNGUIDED  
BACKPLANE HOLE PATTERN  
(CONNECTOR SIDE)



THIS DRAWING IS A CONTROLLED DOCUMENT.		DWN Z. MILLER 04NOV2010	TE Connectivity
DIMENSIONS:		CHK J. EABY 04NOV2010	
TOLERANCES UNLESS OTHERWISE SPECIFIED:		APVD J. EABY 04NOV2010	
mm		NAME	
0 PLC ± 1 PLC ±0.25 2 PLC ±0.13 3 PLC ± 4 PLC ± ANGLES ± FINISH SEE TABLE	PRODUCT SPEC APPLICATION SPEC WEIGHT CUSTOMER DRAWING	NAME IMPACT, 3 PAIR, 8 COLUMN, HEADER UNGUIDED, DUAL END WALL SIGNAL MODULE, 0.46 PTH	
MATERIAL		SIZE CAGE CODE DRAWING NO	RESTRICTED TO
		A100779C=2057762	
		SCALE 6:1 SHEET 1 OF 2 REV C	

THIS DRAWING IS UNPUBLISHED. RELEASED FOR PUBLICATION 20  
 © COPYRIGHT 20 . . . ALL RIGHTS RESERVED.

LOC	DIST	REVISIONS				
		P	LTB	DATE	DWN	APVD
AD	00	-	-	SEE SHEET 1	-	-

	5.5	2057762-6
	4.9	2057762-5
	4.5	2057762-4
	5.5	2057762-3
	4.9	2057762-2
	4.5	2057762-1
FINISH	DIM M	PART NUMBER

THIS DRAWING IS A CONTROLLED DOCUMENT.		DWN Z. MILLER	04NOV2010		TE Connectivity	
DIMENSIONS: mm		CHK J. EARY	04NOV2010		NAME IMPACT, 3 PAIR, 8 COLUMN, HEADER UNGUIDED, DUAL END WALL SIGNAL MODULE, 0.46 PTH	
TOLERANCES UNLESS OTHERWISE SPECIFIED: 9 PLC ± 7 PLC ±0.25 5 PLC ±0.13 4 PLC ± ANGLES ±		APVD J. EARY	04NOV2010	PRODUCT SPEC		
MATERIAL		APPLICATION SPEC		SIZE CAGE CODE DRAWING NO		
FINISH SEE TABLE		WEIGHT		A100779C=2057762		
		CUSTOMER DRAWING		RESTRICTED TO		
				SCALE	SHEET	REV
				5:1	2 OF 2	C