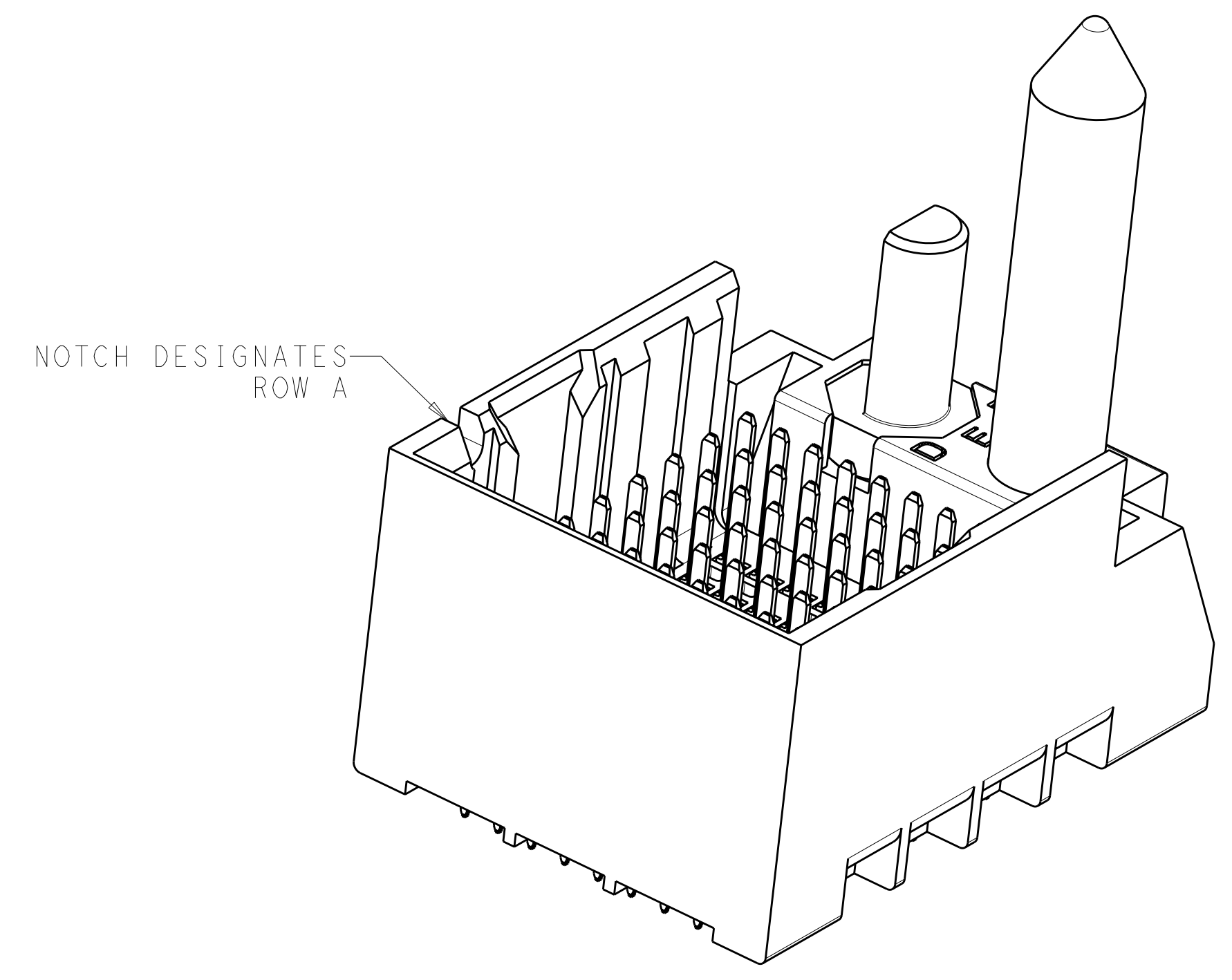
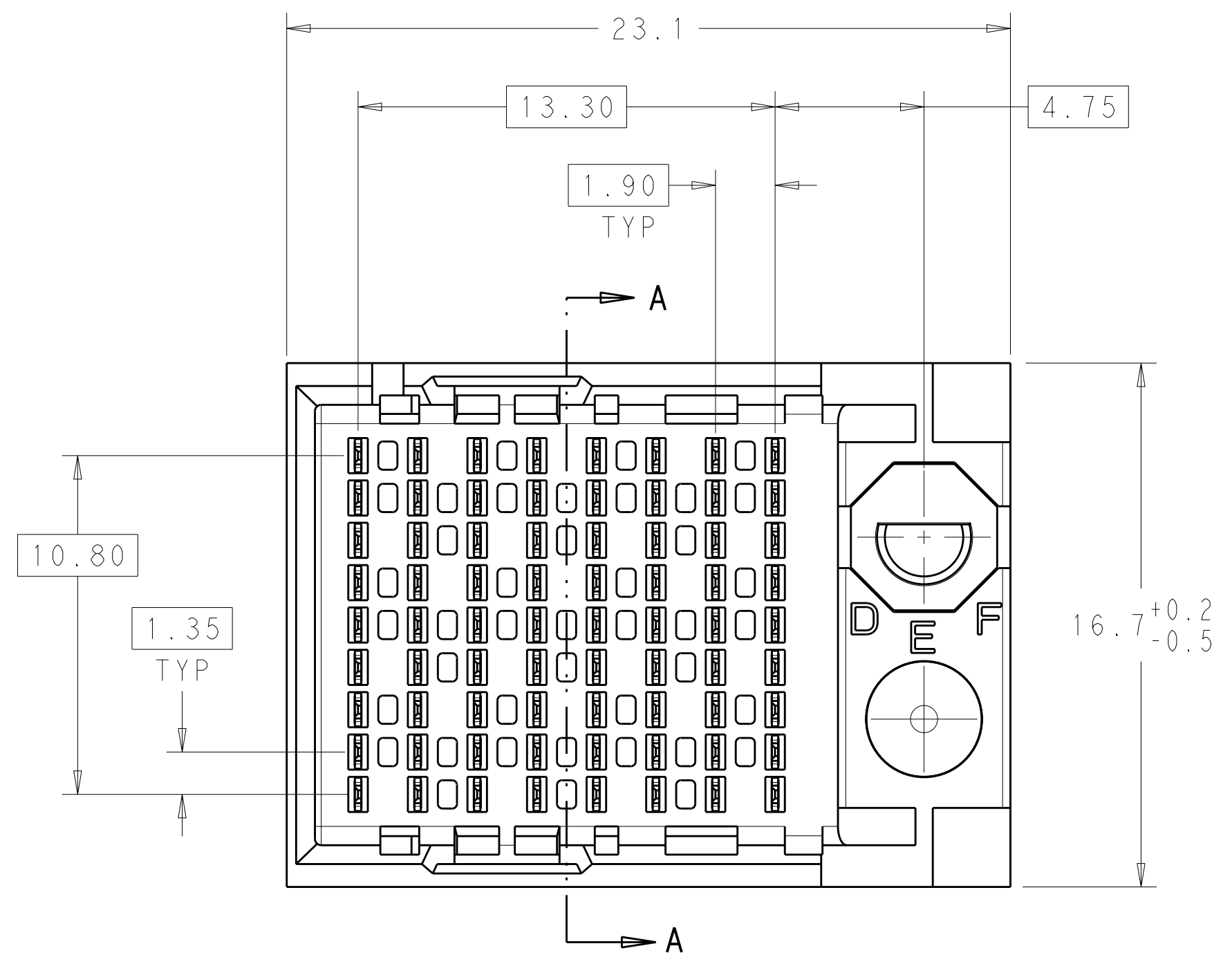
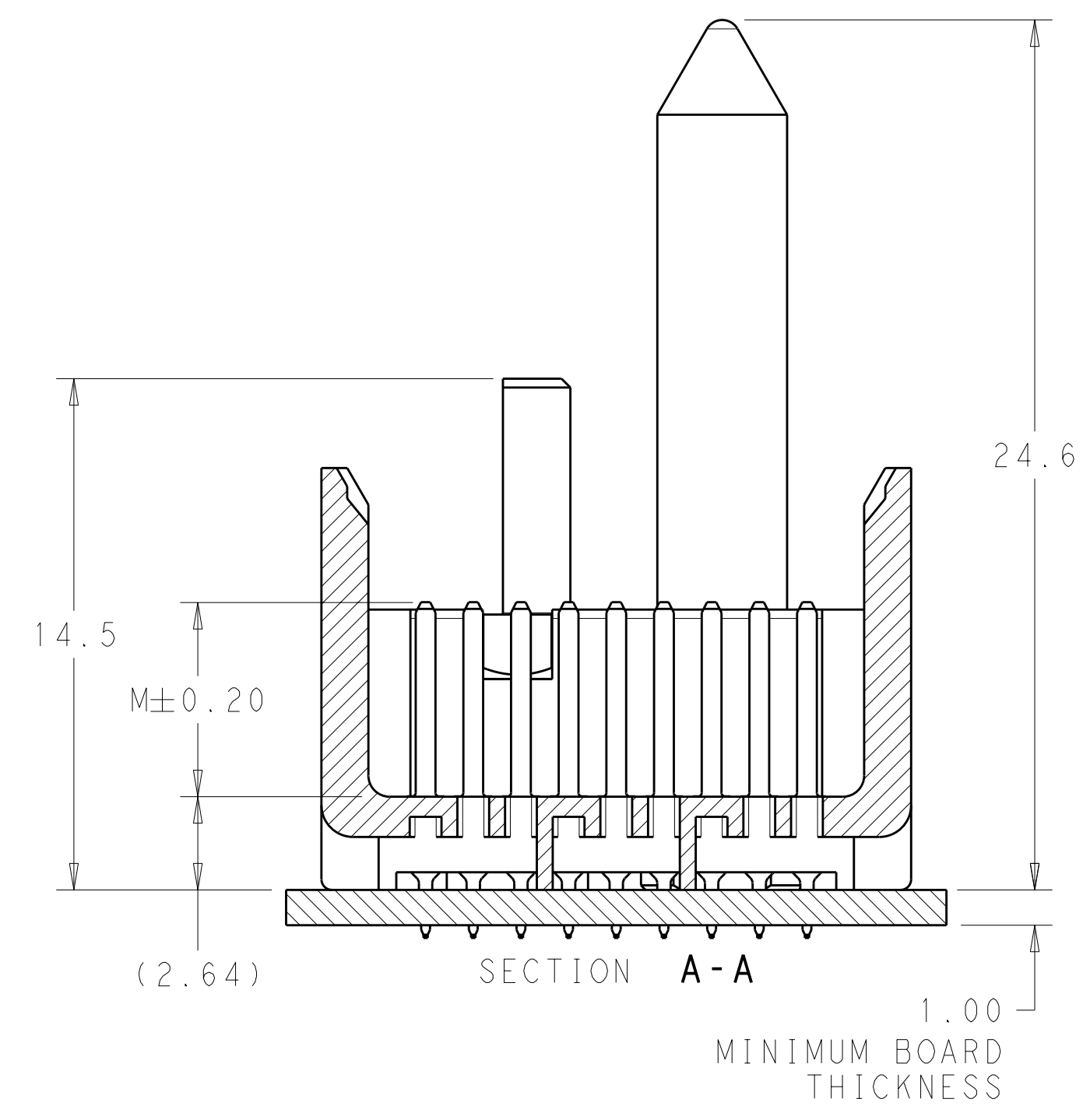
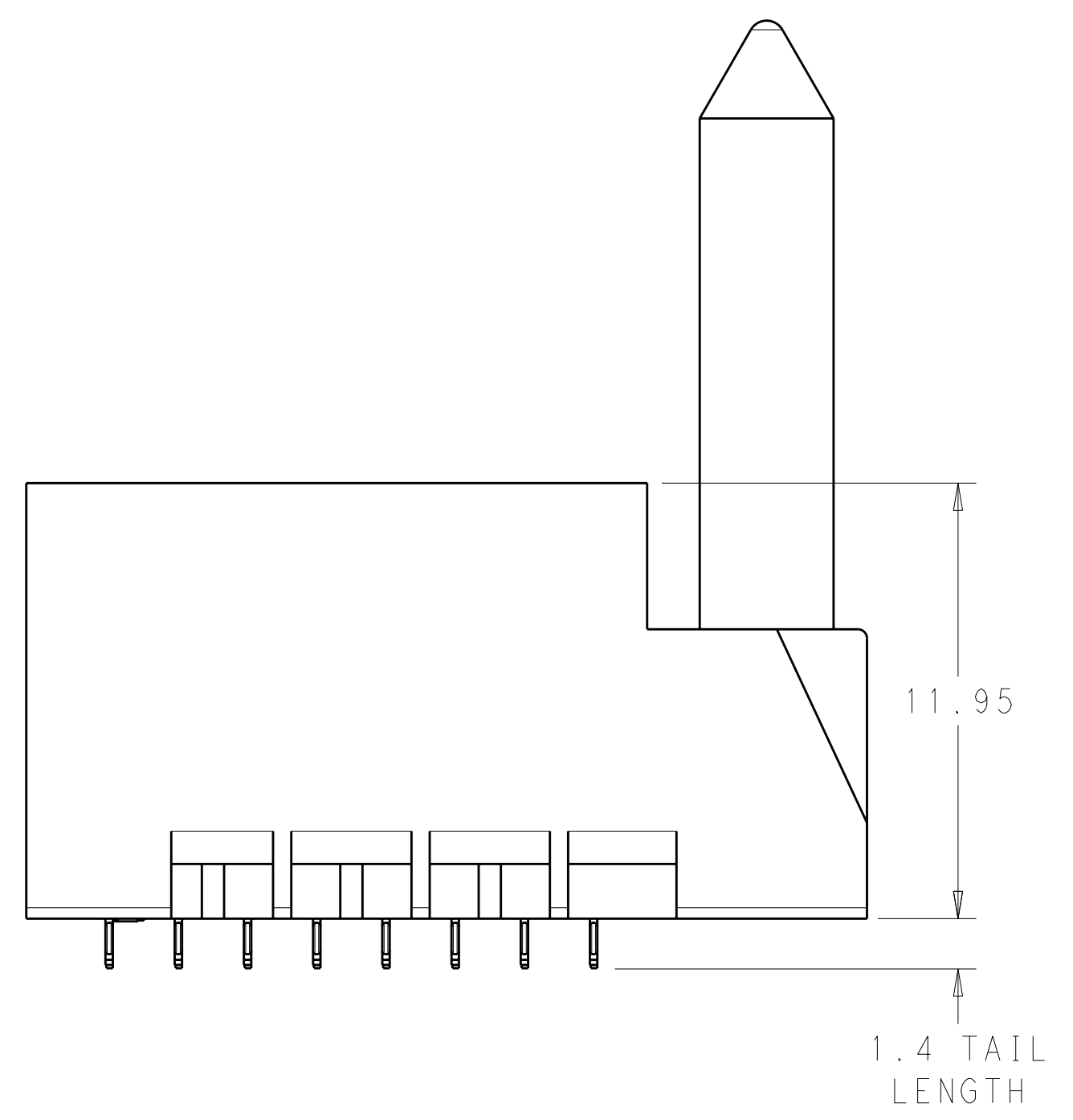
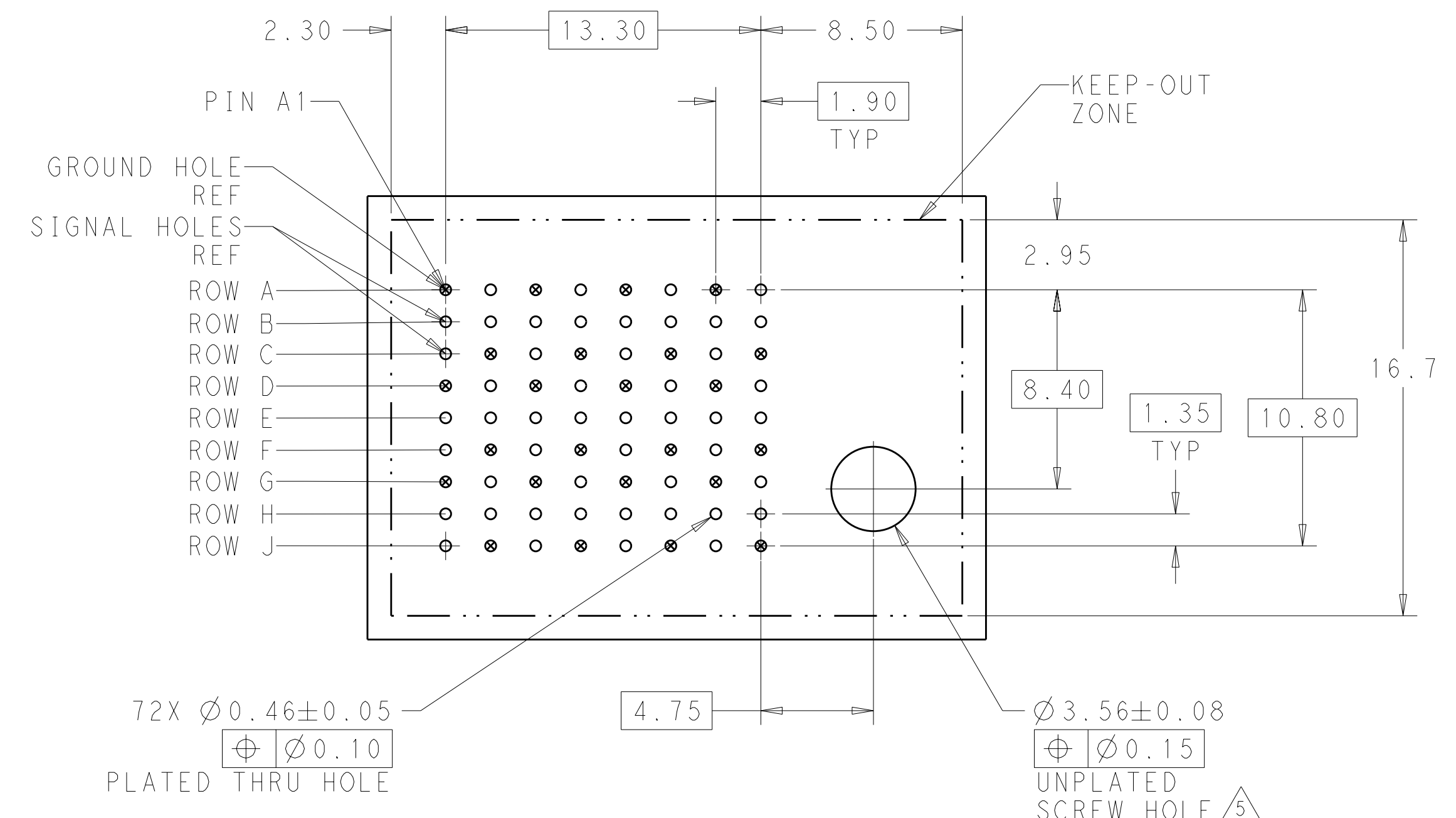


LOC	DIST	REV	DATE	BY	APPD
AD	00	C	05JAN12	KH	DY



- 1 MATERIAL:
HOUSING: LCP, GLASS FILLED, UL94V-0.
TERMINALS: HIGH PERFORMANCE COPPER ALLOY.
- 2 FINISH:
30μ" MIN GOLD IN CONTACT AREA. SELECTIVE TIN
ON PCB TAILS, NICKEL OVERALL.
- 3 FINISH:
30μ" MIN GOLD IN CONTACT AREA. SELECTIVE TIN-LEAD
ON PCB TAILS, NICKEL OVERALL.
- 4. SCREWS PACKAGED IN END OF PACKAGING TUBE.
- 5 FOR GROUNDED GUIDE PIN USE $\varnothing 3.56 \pm 0.08$ PTH,
 $\varnothing 3.66$ DRILL, AND $\varnothing 6.5$ PAD.
- 6. KEYING PIN SHOWN IN POSITION A, SEE KEYING CHART
ON SHEET 2 FOR OTHER POSITIONS.

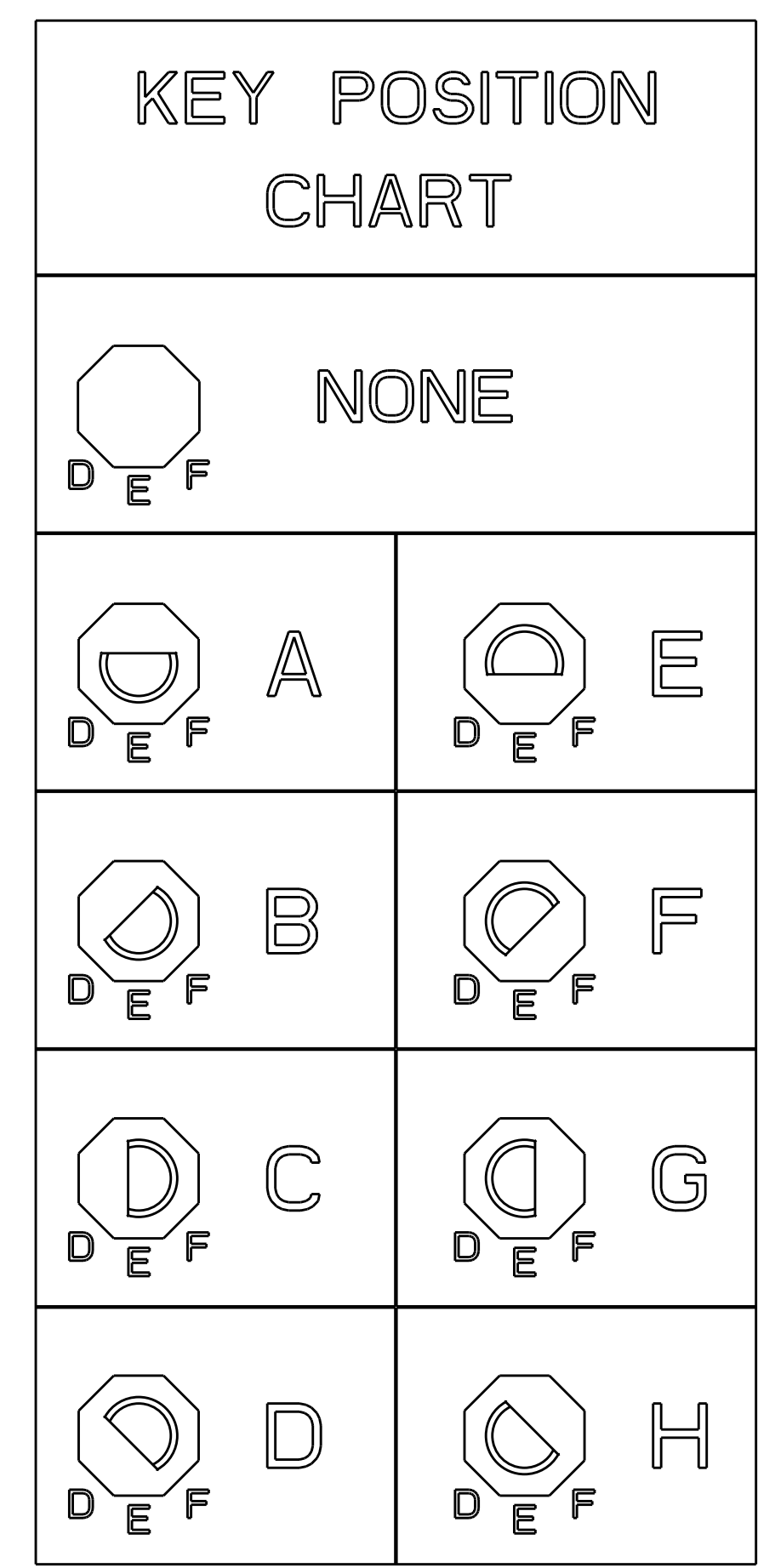


THIS DRAWING IS A CONTROLLED DOCUMENT.		DWN J. K. SHOBER 11JAN2011	TE Connectivity
DIMENSIONS:		CHK J. EARY 11JAN2011	
mm		APVD J. EARY 11JAN2011	
9 PLC ± 1 PLC ±0.25 3 PLC ±0.13 4 PLC ± ANGLES ±		NAME IMPACT, 3 PAIR, 8 COLUMN, HEADER RIGHT GUIDED, LEFT END WALL SIGNAL MODULE, 0.46 PTH	
MATERIAL		PRODUCT SPEC	SIZE CAGE CODE DRAWING NO RESTRICTED TO
FINISH SEE TABLE		APPLICATION SPEC	A100779C=2057758
TOLERANCES UNLESS OTHERWISE SPECIFIED:		WEIGHT	CUSTOMER DRAWING
SCALE 6:1		SHEET 1 OF 2	REV C

LOC	DIST	P	LT#	DESCRIPTION	DATE	DWN	APVD
AD	00	-	-	SEE SHEET 1	-	-	-

△ ₃	H	5.5	8-2057758-6
△ ₃	H	4.9	8-2057758-5
△ ₃	H	4.5	8-2057758-4
△ ₂	H	5.5	8-2057758-3
△ ₂	H	4.9	8-2057758-2
△ ₂	H	4.5	8-2057758-1
△ ₃	G	5.5	7-2057758-6
△ ₃	G	4.9	7-2057758-5
△ ₃	G	4.5	7-2057758-4
△ ₂	G	5.5	7-2057758-3
△ ₂	G	4.9	7-2057758-2
△ ₂	G	4.5	7-2057758-1
△ ₃	F	5.5	6-2057758-6
△ ₃	F	4.9	6-2057758-5
△ ₃	F	4.5	6-2057758-4
△ ₂	F	5.5	6-2057758-3
△ ₂	F	4.9	6-2057758-2
△ ₂	F	4.5	6-2057758-1
△ ₃	E	5.5	5-2057758-6
△ ₃	E	4.9	5-2057758-5
△ ₃	E	4.5	5-2057758-4
△ ₂	E	5.5	5-2057758-3
△ ₂	E	4.9	5-2057758-2
△ ₂	E	4.5	5-2057758-1
△ ₃	D	5.5	4-2057758-6
△ ₃	D	4.9	4-2057758-5
△ ₃	D	4.5	4-2057758-4
△ ₂	D	5.5	4-2057758-3
△ ₂	D	4.9	4-2057758-2
△ ₂	D	4.5	4-2057758-1
△ ₃	C	5.5	3-2057758-6
△ ₃	C	4.9	3-2057758-5
△ ₃	C	4.5	3-2057758-4
△ ₂	C	5.5	3-2057758-3
△ ₂	C	4.9	3-2057758-2
△ ₂	C	4.5	3-2057758-1
△ ₃	B	5.5	2-2057758-6
△ ₃	B	4.9	2-2057758-5
△ ₃	B	4.5	2-2057758-4
△ ₂	B	5.5	2-2057758-3
△ ₂	B	4.9	2-2057758-2
△ ₂	B	4.5	2-2057758-1
△ ₃	A	5.5	1-2057758-6
△ ₃	A	4.9	1-2057758-5
△ ₃	A	4.5	1-2057758-4
△ ₂	A	5.5	1-2057758-3
△ ₂	A	4.9	1-2057758-2
△ ₂	A	4.5	1-2057758-1
△ ₃	-	5.5	2057758-6
△ ₃	-	4.9	2057758-5
△ ₃	-	4.5	2057758-4
△ ₂	-	5.5	2057758-3
△ ₂	-	4.9	2057758-2
△ ₂	-	4.5	2057758-1
FINISH	KEY POSITION	DIM M	PART NUMBER

REFER TO WWW.TE.COM
FOR PRODUCT AVAILABILITY



THIS DRAWING IS A CONTROLLED DOCUMENT.		DWN J. K. SHOBER 11JAN2011	STE TE Connectivity												
DIMENSIONS: mm		CHK J. EARY 11JAN2011													
TOLERANCES UNLESS OTHERWISE SPECIFIED:		APVD J. EARY 11JAN2011	NAME IMPACT, 3 PAIR, 8 COLUMN, HEADER RIGHT GUIDED, LEFT END WALL SIGNAL MODULE, 0.46 PTH												
<table border="1" style="font-size: small;"> <tr><td>9 PLC</td><td>±</td></tr> <tr><td>8 PLC</td><td>±0.25</td></tr> <tr><td>5 PLC</td><td>±0.13</td></tr> <tr><td>4 PLC</td><td>±</td></tr> <tr><td>ANGLES</td><td>±</td></tr> <tr><td>FINISH</td><td>±</td></tr> </table>		9 PLC	±	8 PLC	±0.25	5 PLC	±0.13	4 PLC	±	ANGLES	±	FINISH	±	PRODUCT SPEC	SIZE CAGE CODE DRAWING NO RESTRICTED TO
9 PLC	±														
8 PLC	±0.25														
5 PLC	±0.13														
4 PLC	±														
ANGLES	±														
FINISH	±														
MATERIAL -		APPLICATION SPEC	A100779C=2057758												
SEE TABLE		WEIGHT -	SCALE 5:1 SHEET 2 OF 2 REV C												
		CUSTOMER DRAWING													