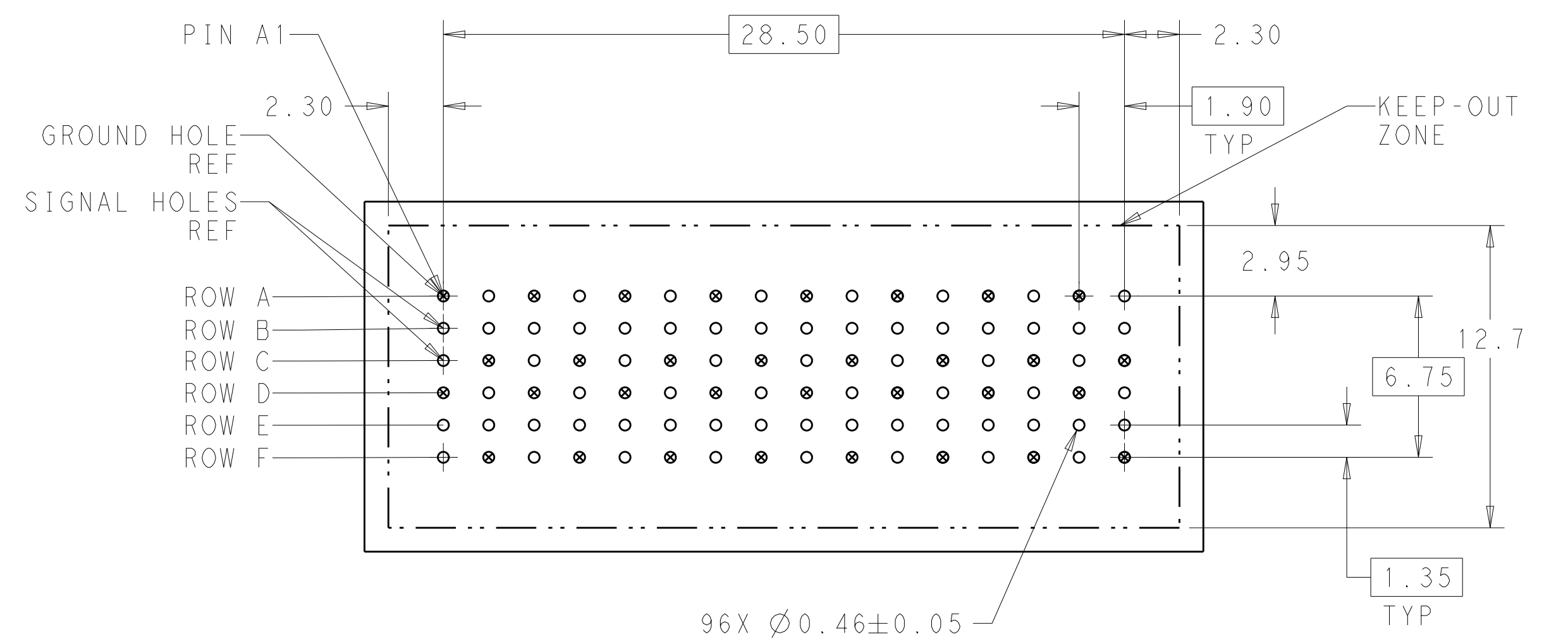
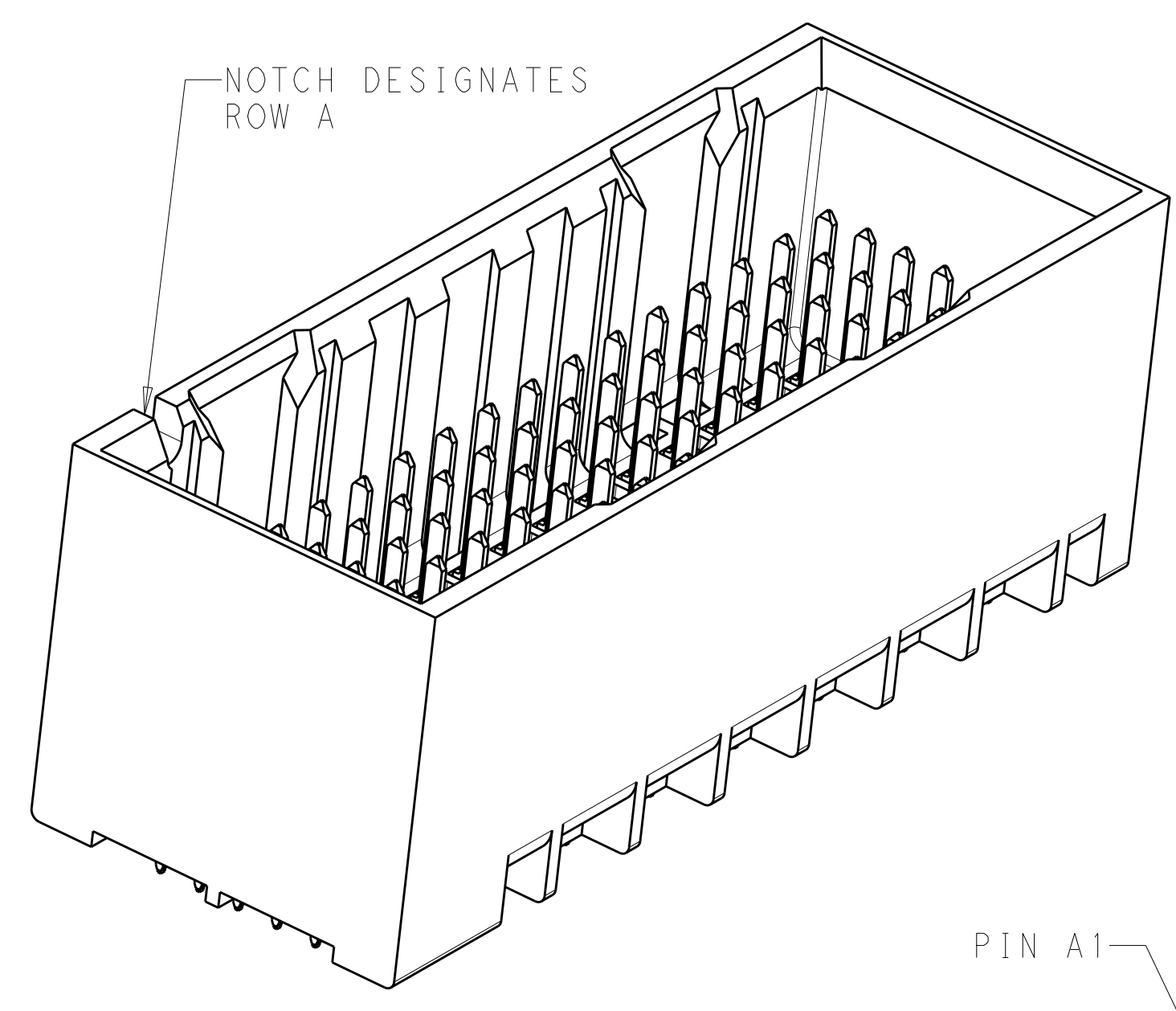
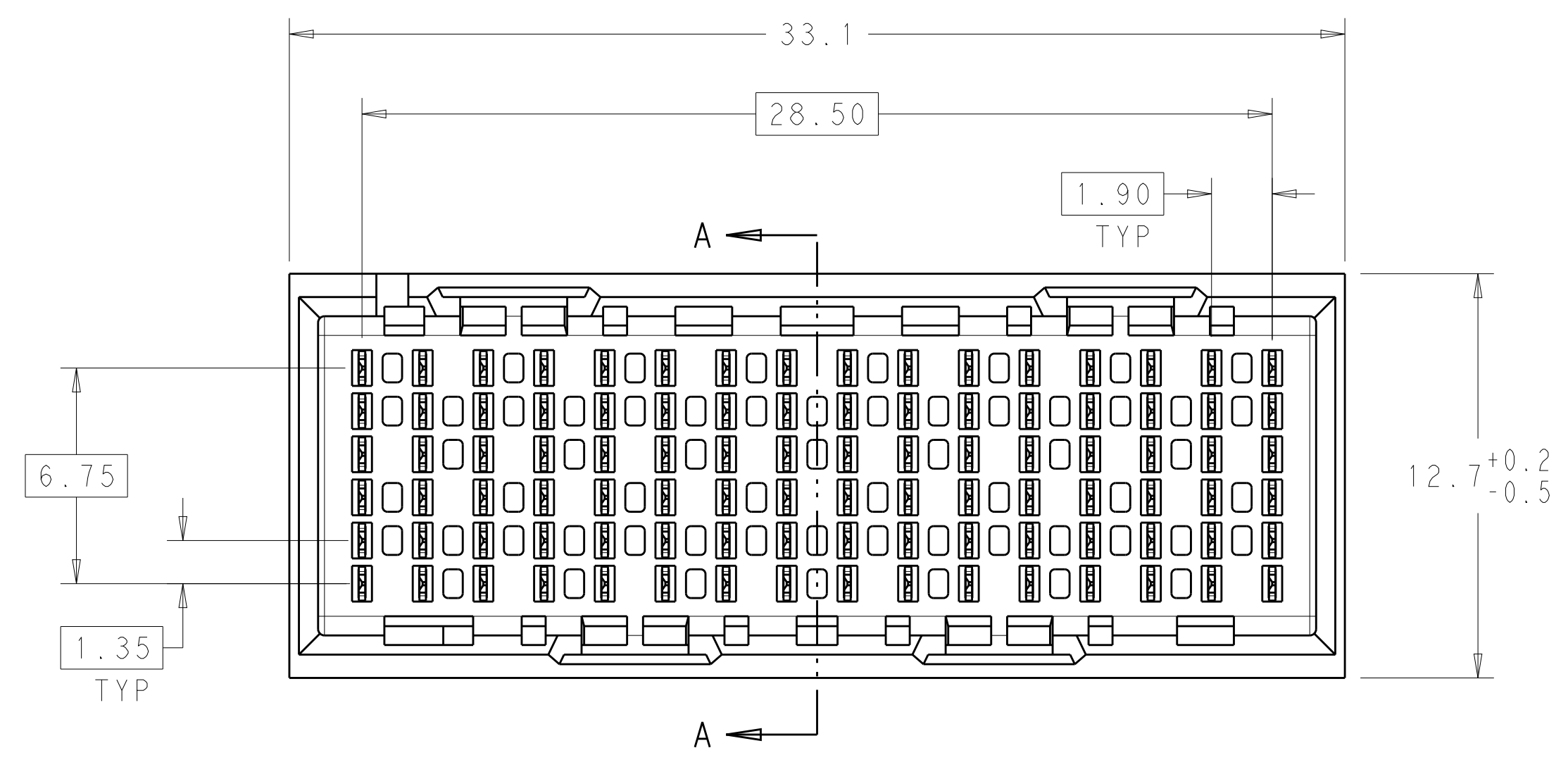


LOC		DIST		REVISIONS			
AD	00	P	LTH	DESCRIPTION	DATE	DWN	APVD
		A1		REVISED PER ECO-15-001498	02FEB2015	AP	DD

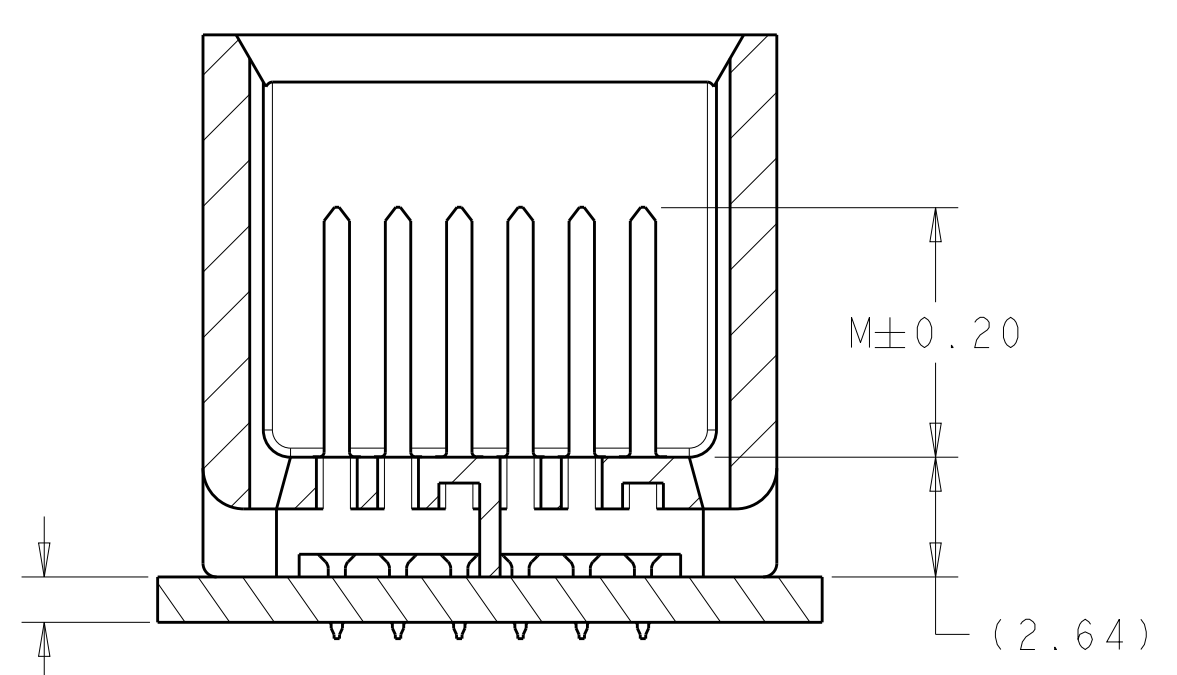
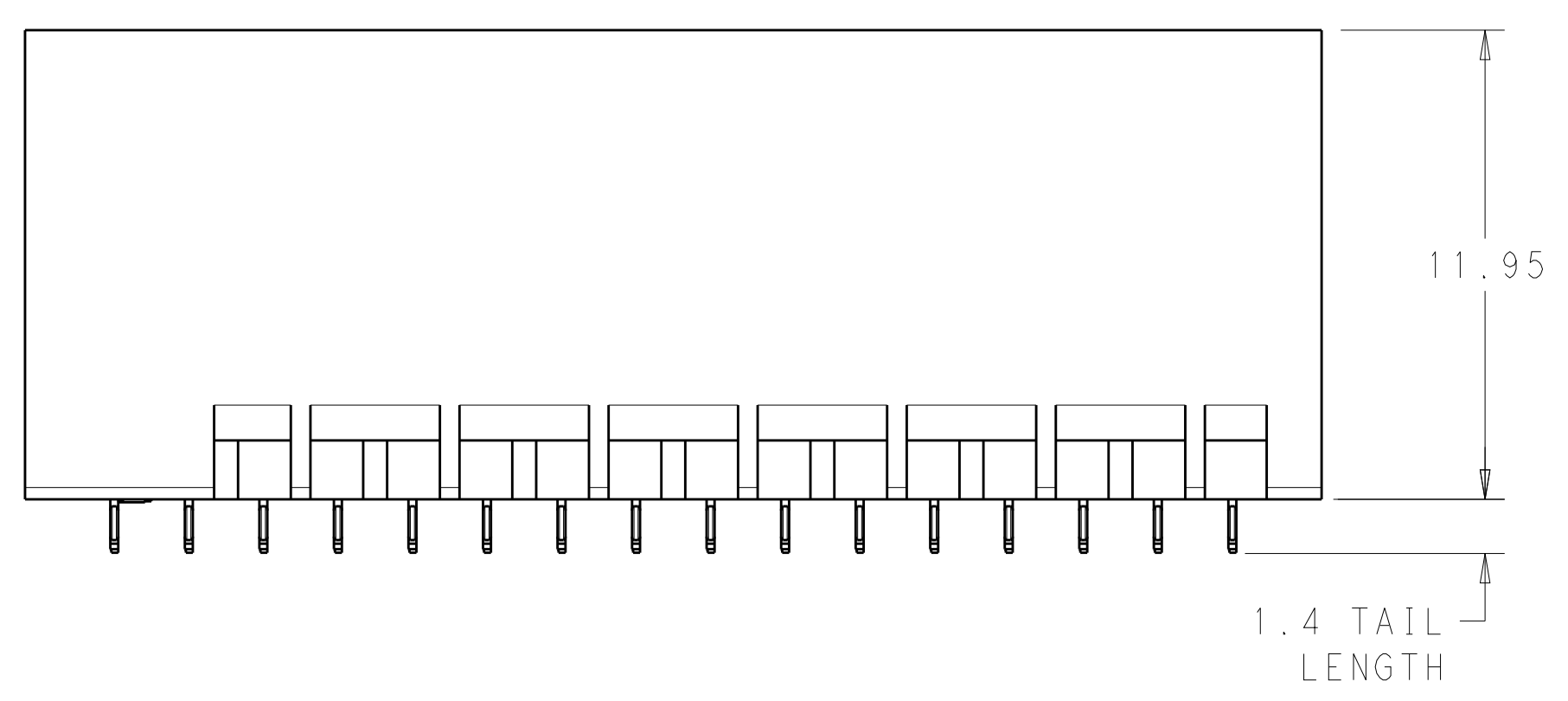
⚠ MATERIAL:
HOUSING: LCP, GLASS FILLED, UL94V-0.
TERMINALS: HIGH PERFORMANCE COPPER ALLOY.

⚠ FINISH:
30μ" MIN GOLD IN CONTACT AREA. SELECTIVE TIN
ON PCB TAILS, NICKEL OVERALL.



96X $\varnothing 0.46 \pm 0.05$
 $\varnothing 0.10$
PLATED THRU HOLE

UNGUIDED
BACKPLANE HOLE PATTERN
(CONNECTOR SIDE)



SECTION A-A

THIS DRAWING IS A CONTROLLED DOCUMENT.		DWN B. CARBO	14FEB2012	STE TE Connectivity					
DIMENSIONS:		CHK D. YI	14FEB2012						
mm		APVD D. YI	14FEB2012						
TOLERANCES UNLESS OTHERWISE SPECIFIED:		PRODUCT SPEC							
0 PLC	±	APPLICATION SPEC		NAME IMPACT, 2 PAIR, 16 COLUMN, HEADER UNGUIDED, DUAL END WALL SIGNAL MODULE, 0.46 PTH					
1 PLC	±0.25	SIZE	CAGE CODE		DRAWING NO				
2 PLC	±0.13	WEIGHT			RESTRICTED TO				
3 PLC	±	Customer Drawing							
4 PLC	±	SCALE	6:1	SHEET	1	OF	2	REV	A1
ANGLES	±								
MATERIAL	SEE TABLE								

THIS DRAWING IS UNPUBLISHED. RELEASED FOR PUBLICATION 20
 © COPYRIGHT 20 BY - ALL RIGHTS RESERVED.

LOC	DIST	REVISIONS					
		P	LTN	DESCRIPTION	DATE	DWN	APVD
AD	00	-	-	SEE SHEET 1	-	-	-

	5.5	2057746-3
	4.9	2057746-2
	4.5	2057746-1
FINISH	DIM M	PART NUMBER

REFER TO WWW.TE.COM
FOR PRODUCT AVAILABILITY

THIS DRAWING IS A CONTROLLED DOCUMENT.		DWN B. CARBO 14FEB2012	
		CHK D. YI 14FEB2012	
DIMENSIONS: mm		APVD D. YI 14FEB2012	NAME IMPACT, 2 PAIR, 16 COLUMN, HEADER UNGUIDED, DUAL END WALL SIGNAL MODULE, 0.46 PTH
TOLERANCES UNLESS OTHERWISE SPECIFIED: 0 PLC ± 1 PLC ±0.25 2 PLC ±0.13 3 PLC ± 4 PLC ± ANGLES ±		PRODUCT SPEC -	
MATERIAL -		APPLICATION SPEC -	SIZE A100779
FINISH SEE TABLE		WEIGHT -	DRAWING NO C=2057746
		Customer Drawing	RESTRICTED TO -
		SCALE 5:1	SHEET 2 OF 2
			REV A1