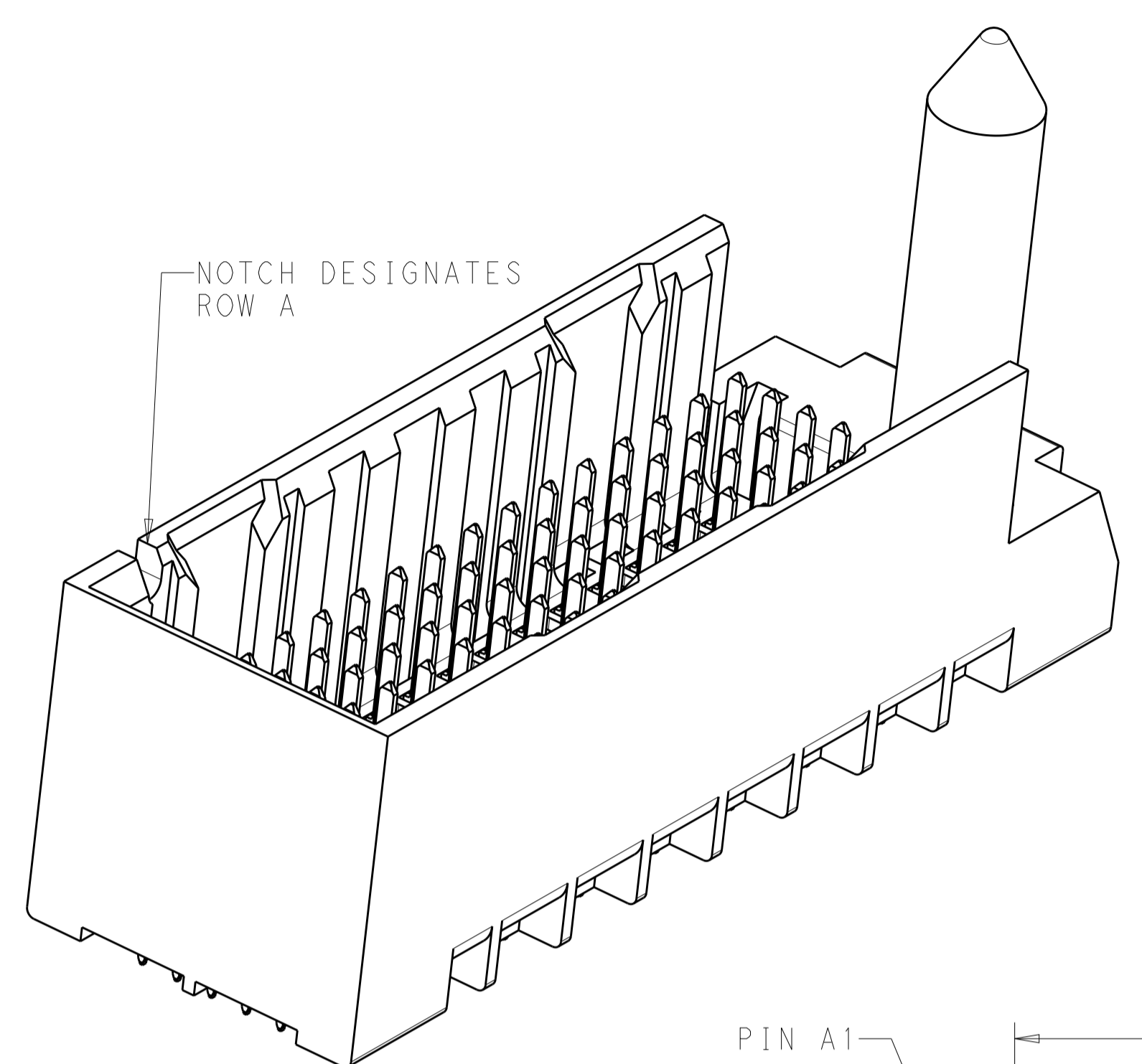
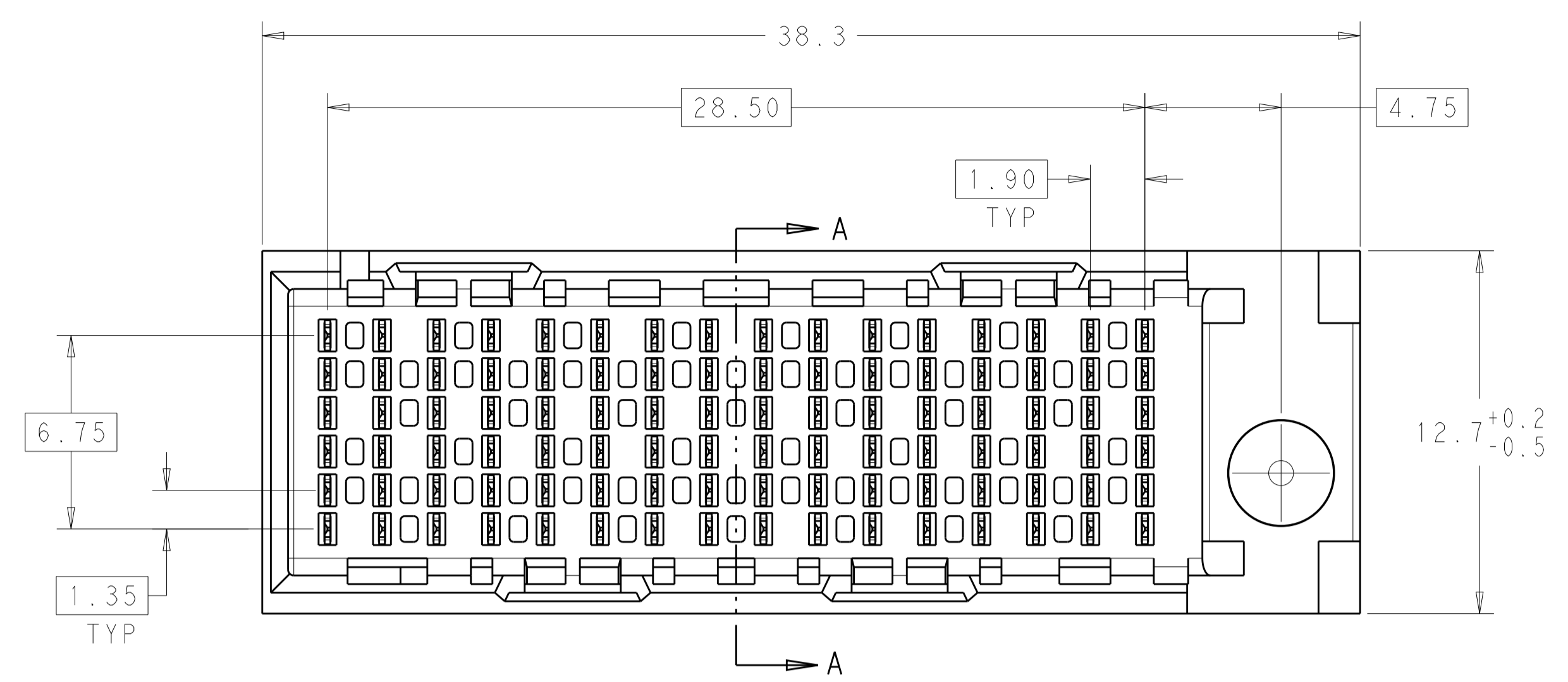
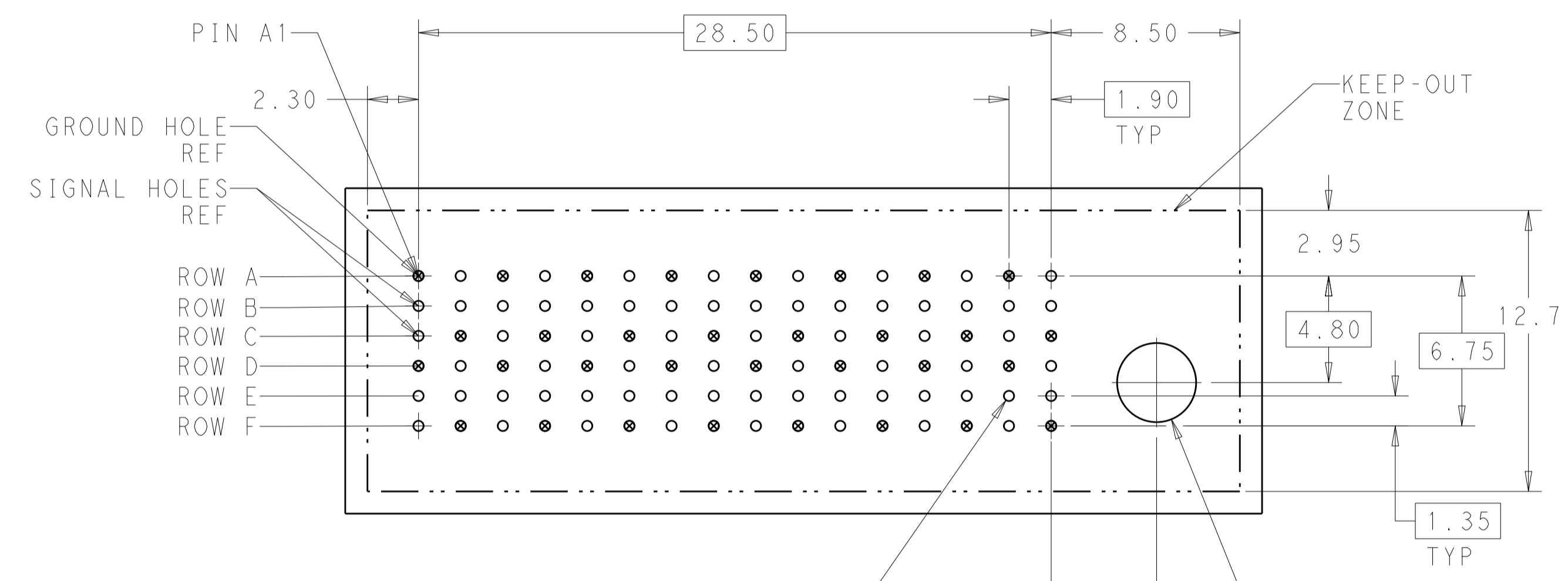


LOC		DIST		REVISIONS			
AD	00	P	LTN	DESCRIPTION	DATE	DMN	APVD
		C1		REVISED PER ECO-15-001498	02FEB2015	AP	DD

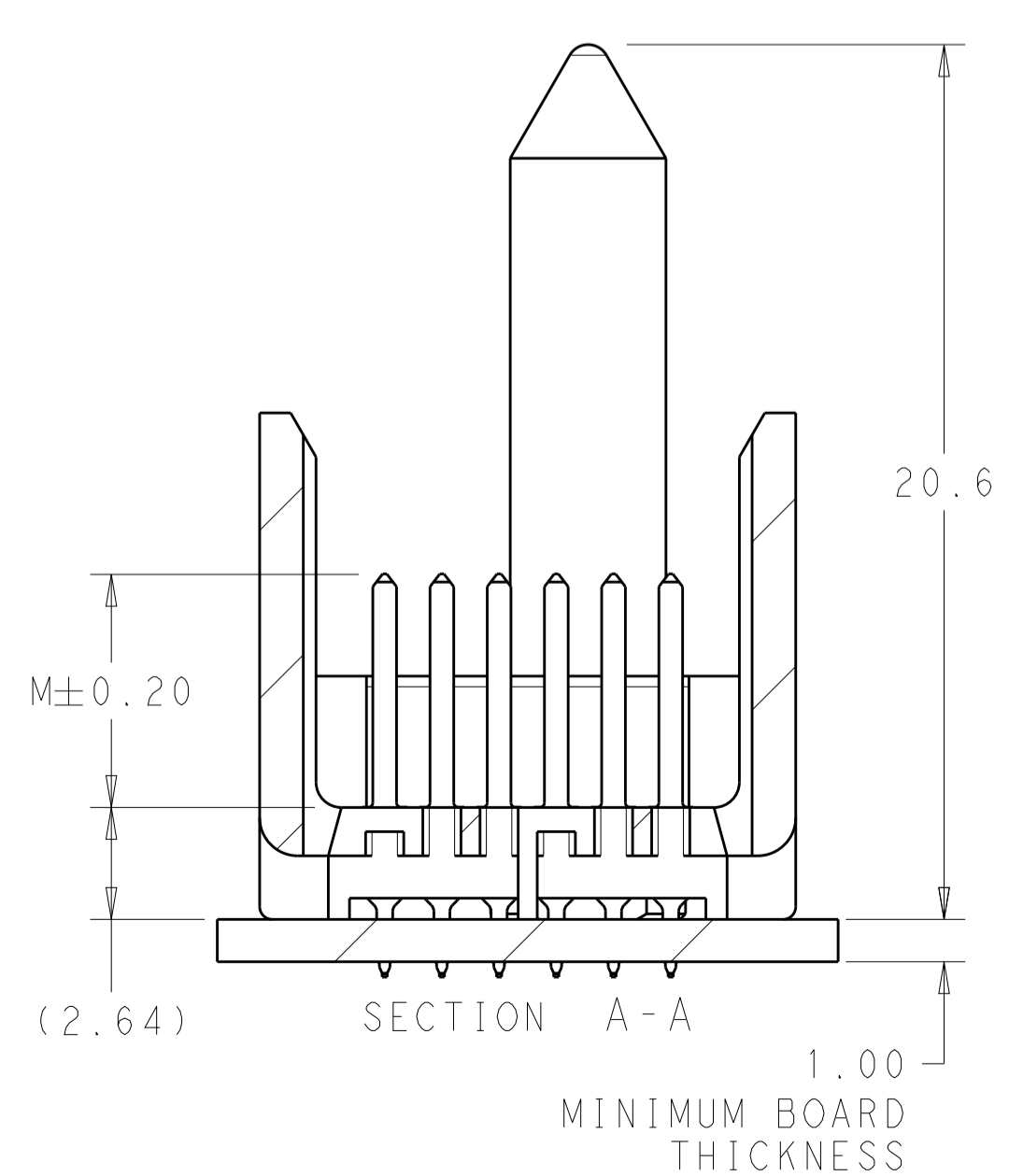
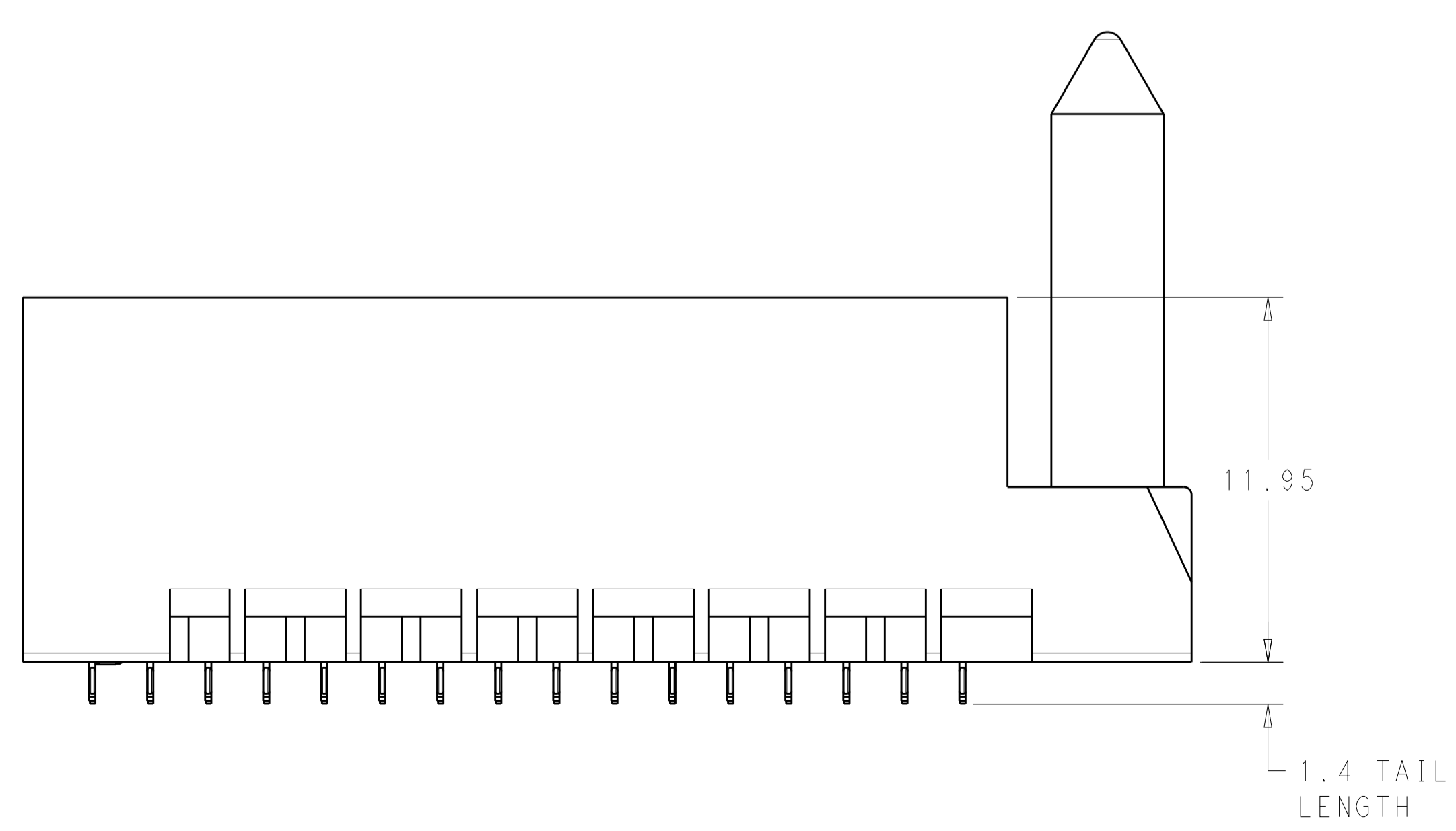


- ⚠ MATERIAL:  
HOUSING: LCP, GLASS FILLED, UL94V-0.  
TERMINALS: HIGH PERFORMANCE COPPER ALLOY.
- ⚠ FINISH:  
30μ" MIN GOLD IN CONTACT AREA. SELECTIVE TIN ON PCB TAILS, NICKEL OVERALL.
- 3. SCREWS PACKAGED IN END OF PACKAGING TUBE.
- ⚠ FOR GROUNDED GUIDE PIN USE  $\varnothing 3.56 \pm 0.08$  PTH,  $\varnothing 3.66$  DRILL, AND  $\varnothing 6.5$  PAD.



96X  $\varnothing 0.46 \pm 0.05$  PLATED THRU HOLE  
 96X  $\varnothing 0.55 \pm 0.013$  DRILL HOLE  
 $\varnothing 3.56 \pm 0.08$  UNPLATED SCREW HOLE ⚠  
 $\varnothing 0.15$   
 $\varnothing 0.10$

RIGHT GUIDED BACKPLANE HOLE PATTERN (CONNECTOR SIDE)



THIS DRAWING IS A CONTROLLED DOCUMENT.		DMN R. COELLO 27APR2011	TE Connectivity
DIMENSIONS:		CHK J. EARY 27APR2011	
mm	TOLERANCES UNLESS OTHERWISE SPECIFIED:	APVD J. EARY 27APR2011	NAME IMPACT, 2 PAIR, 16 COLUMN, HEADER RIGHT GUIDED, LEFT END WALL SIGNAL MODULE, 0.46 PTH
	0 PLC ± 1 PLC ±0.25 2 PLC ±0.13 3 PLC ± 4 PLC ± ANGLES ±	PRODUCT SPEC	SIZE CAGE CODE DRAWING NO RESTRICTED TO
MATERIAL	FINISH SEE TABLE	APPLICATION SPEC	A100779C=2057742
		WEIGHT	Customer Drawing
		SCALE 6:1	SHEET 1 OF 2 REV C1

THIS DRAWING IS UNPUBLISHED.	RELEASED FOR PUBLICATION	20
© COPYRIGHT 20	BY -	ALL RIGHTS RESERVED.

LOC	DIST	REVISIONS					
		P	LTN	DESCRIPTION	DATE	DWN	APVD
AD	00	-	-	SEE SHEET 1	-	-	-

	5.5	2057742-3
	4.9	2057742-2
	4.5	2057742-1
FINISH	DIM M	PART NUMBER

REFER TO WWW.TE.COM  
FOR PRODUCT AVAILABILITY

THIS DRAWING IS A CONTROLLED DOCUMENT.		DWN R. COELLO 27APR2011	
		CHK J. EARY 27APR2011	
DIMENSIONS:		APVD J. EARY 27APR2011	NAME IMPACT, 2 PAIR, 16 COLUMN, HEADER RIGHT GUIDED, LEFT END WALL SIGNAL MODULE, 0.46 PTH
TOLERANCES UNLESS OTHERWISE SPECIFIED:		PRODUCT SPEC	
mm	0 PLC ±	APPLICATION SPEC	SIZE CAGE CODE DRAWING NO RESTRICTED TO
	1 PLC ±0.25	WEIGHT	A100779C=2057742
	2 PLC ±0.13	Customer Drawing	SCALE 5:1 SHEET 2 OF 2 REV C1
	3 PLC ±		
	4 PLC ±		
	ANGLES ±		
MATERIAL	FINISH SEE TABLE		